

卡搭 CaDA

Designed in California

# TECHNIC

## Building Blocks Remote-controlled Running Function



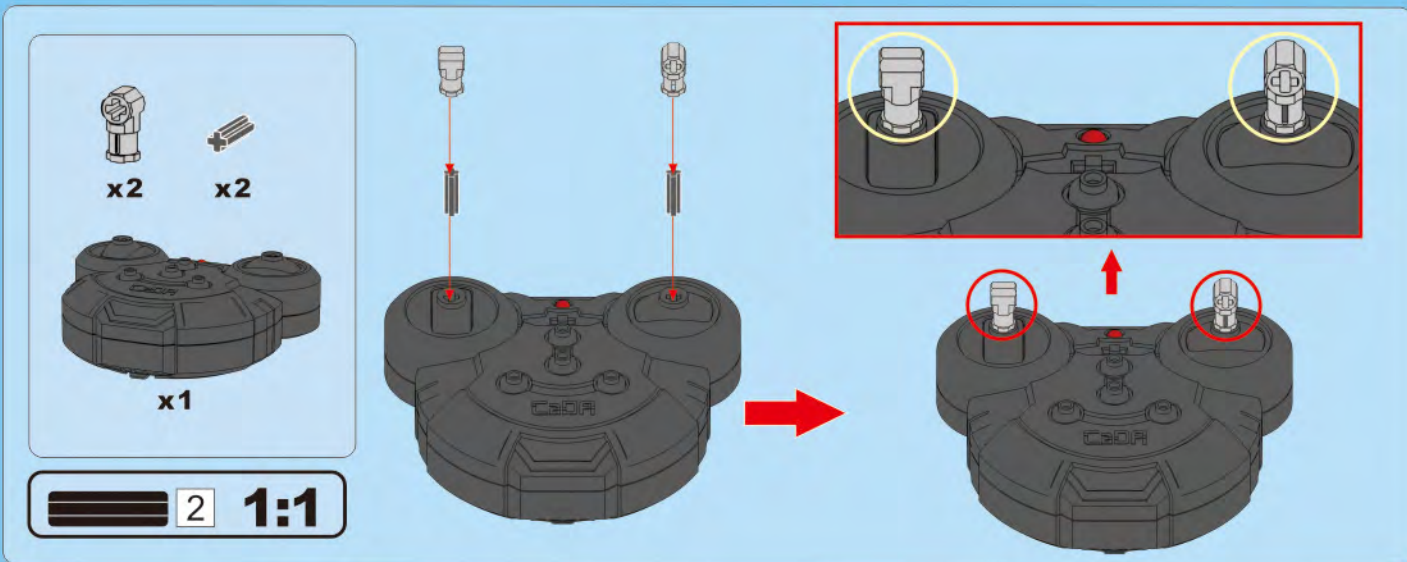
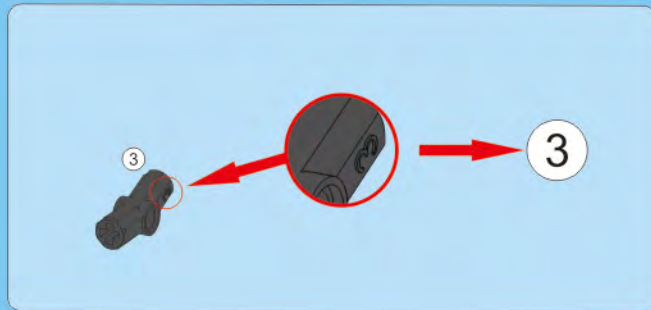
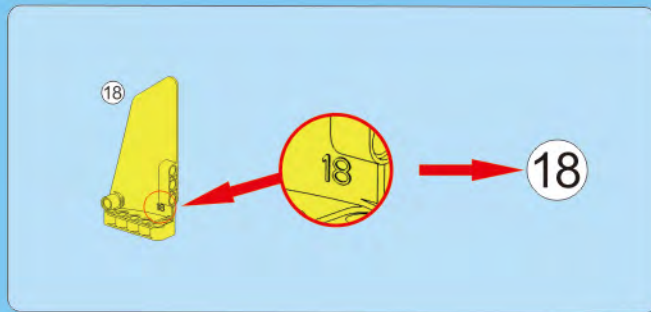
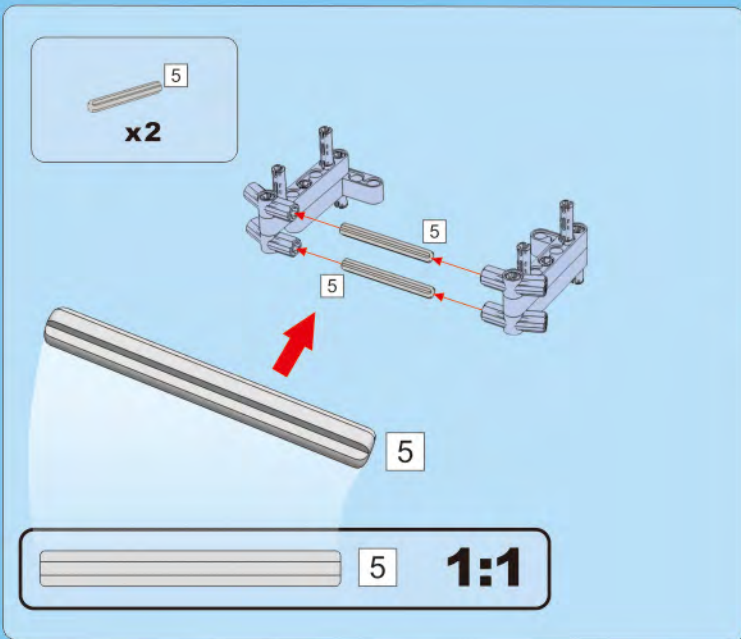
Double E



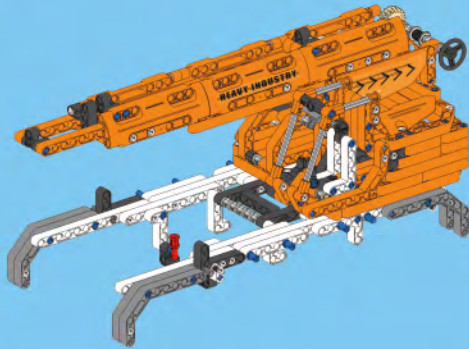
Age  
**6 +**  
**C51013**  
Mobile  
Crane

**RC**  
RADIO CONTROL

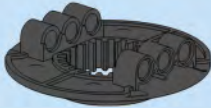




# A

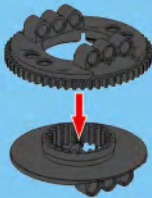


x1



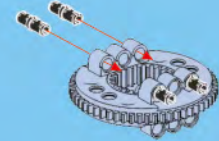
x1

## A1



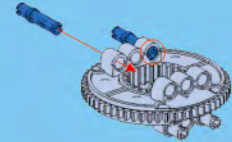
x4

## A2

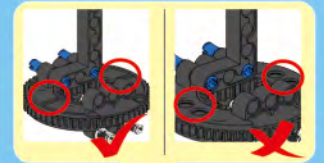


x2

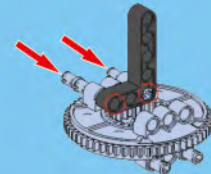
## A3

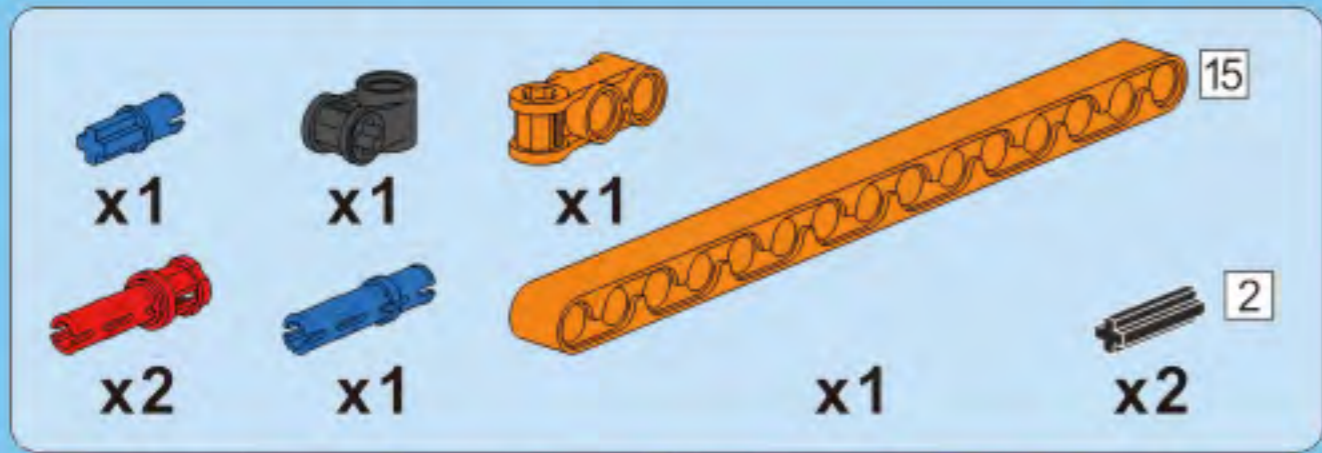


x1

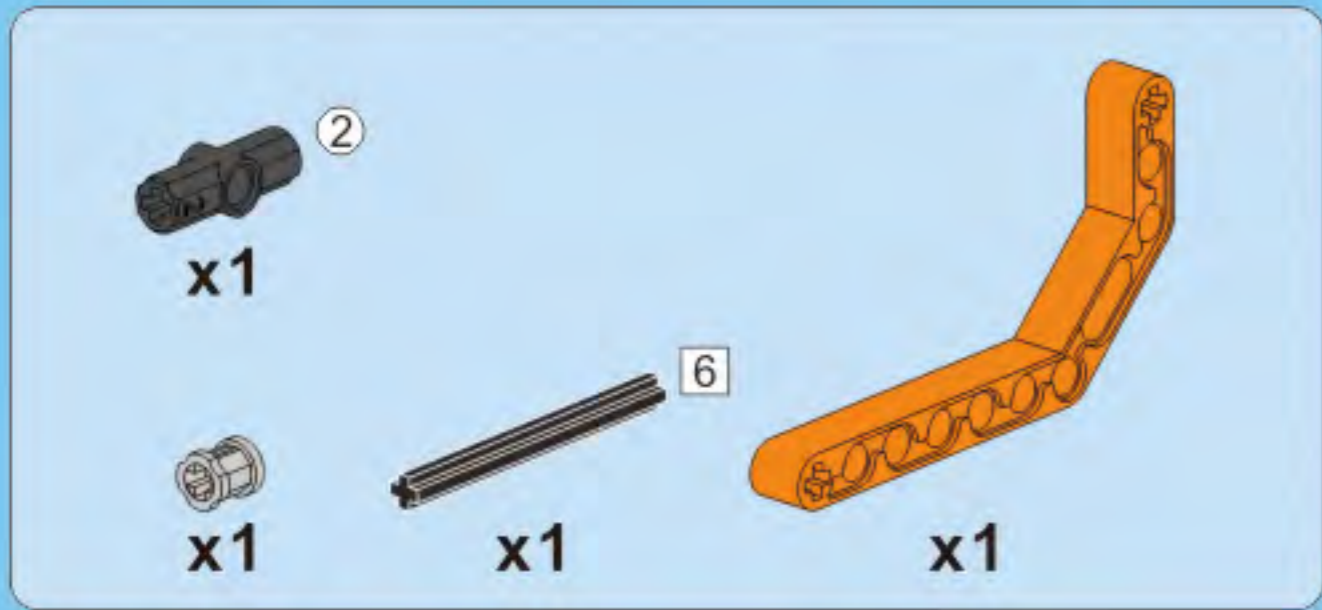
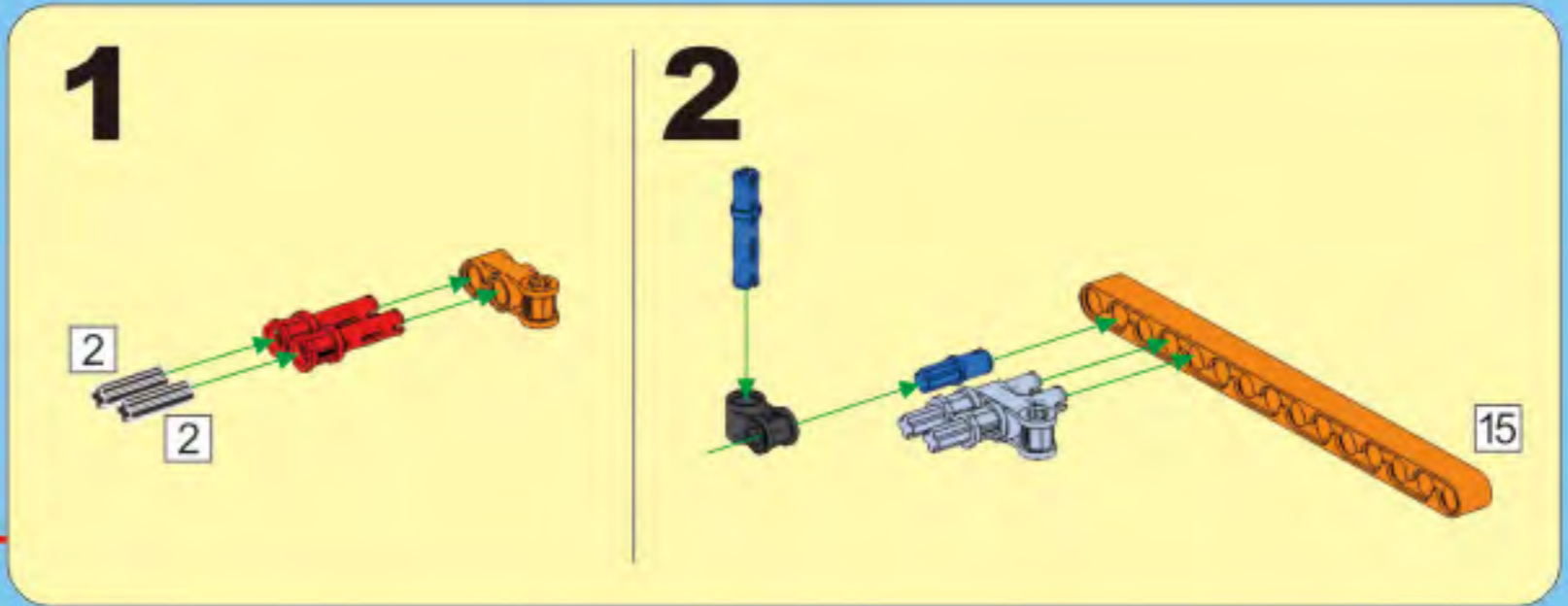
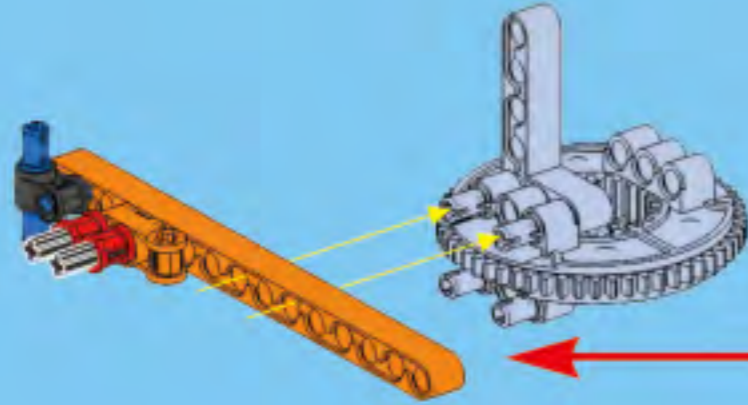


## A4

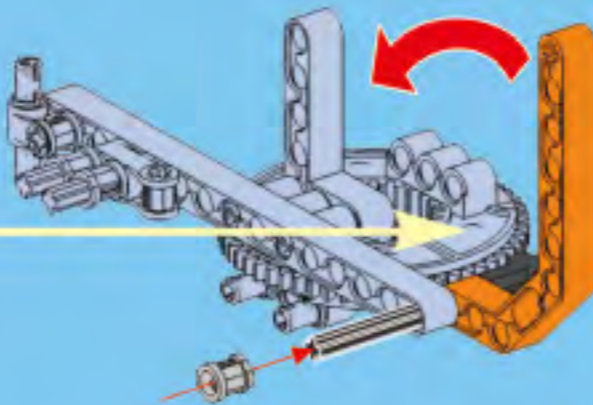
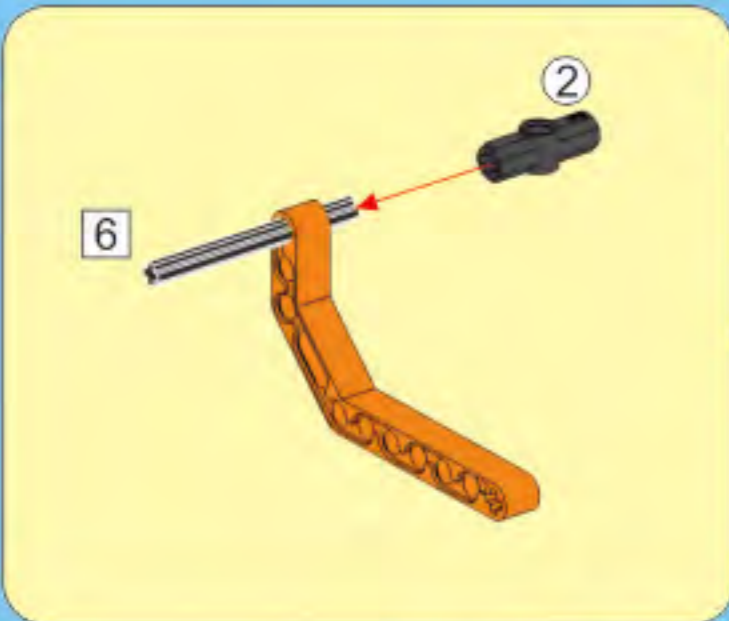




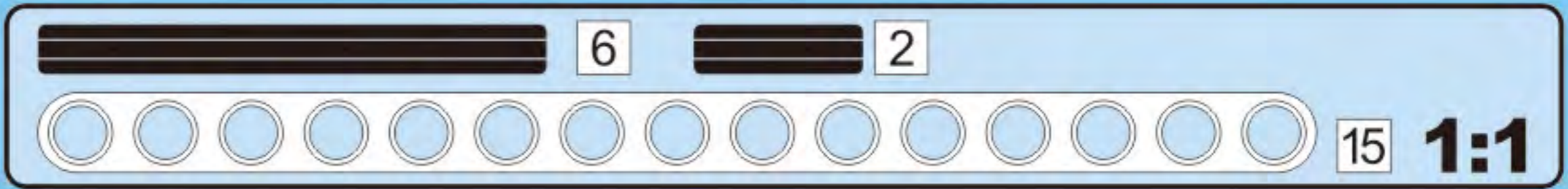
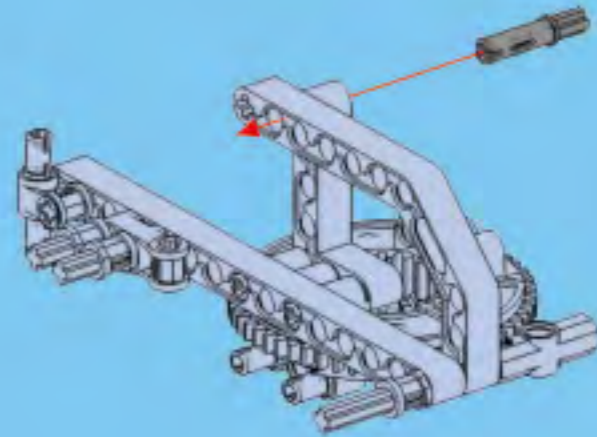
# A5

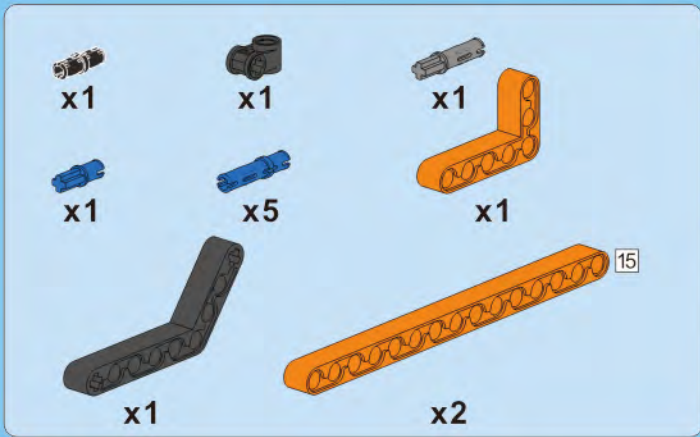


# A6

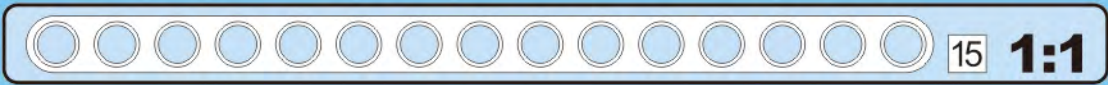
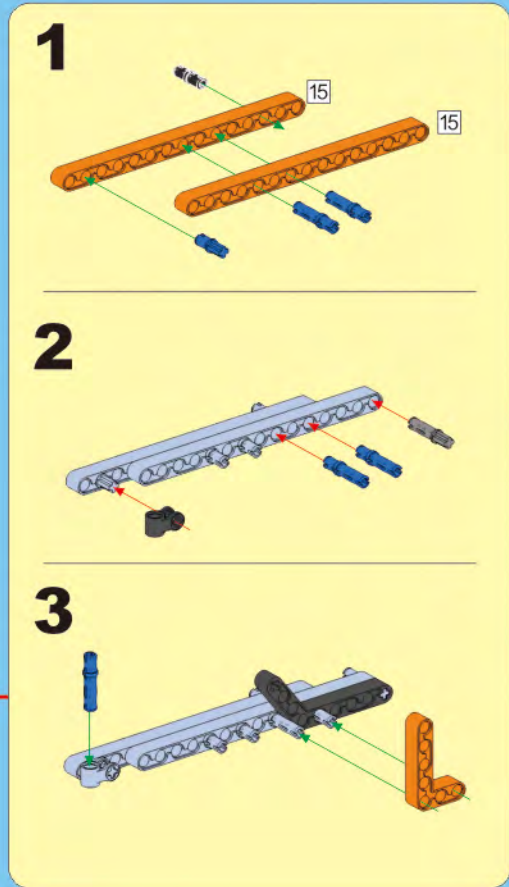
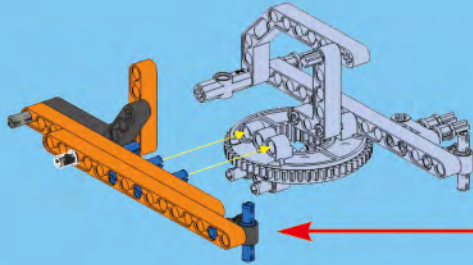


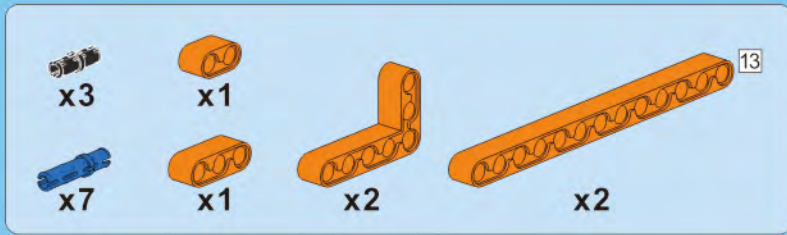
# A7



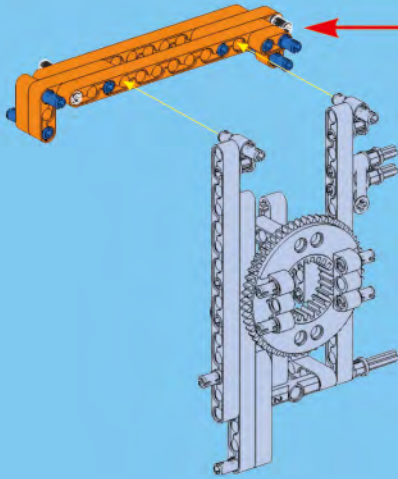


# A8





# A9



- ## 1

---

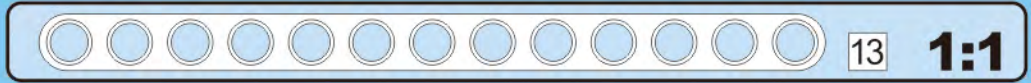
- ## 2

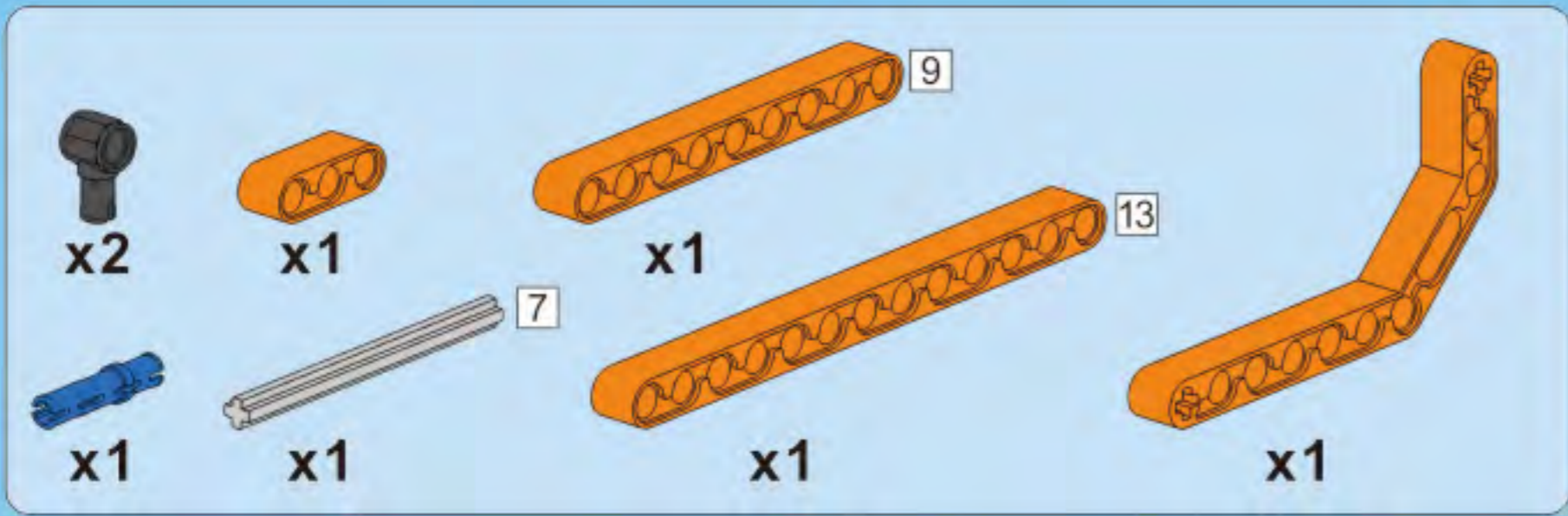
---

- ## 3

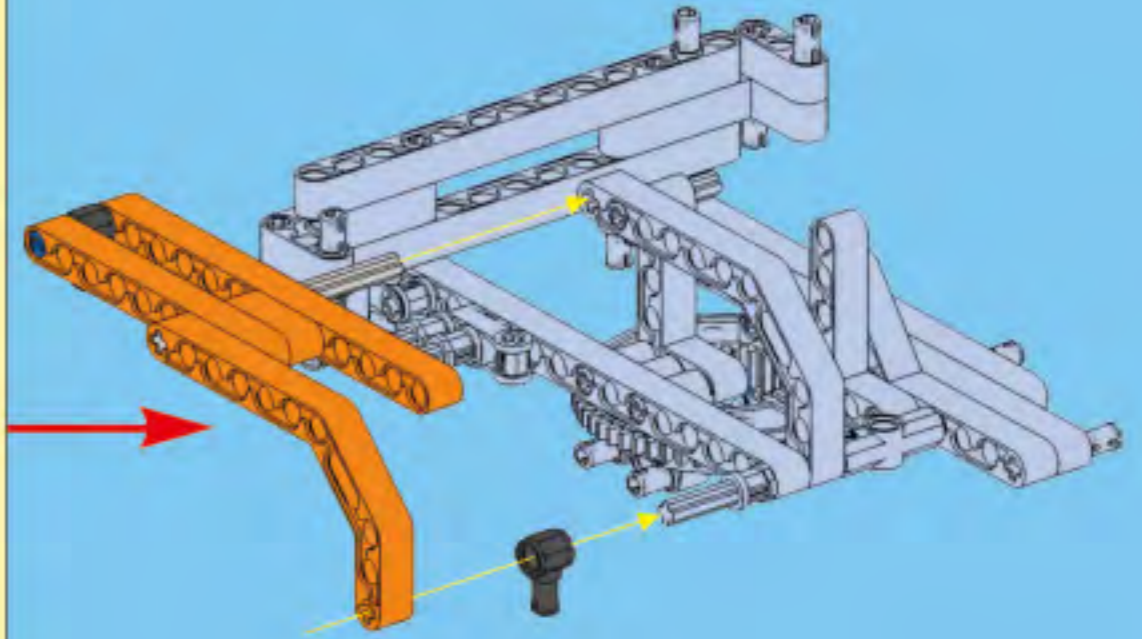
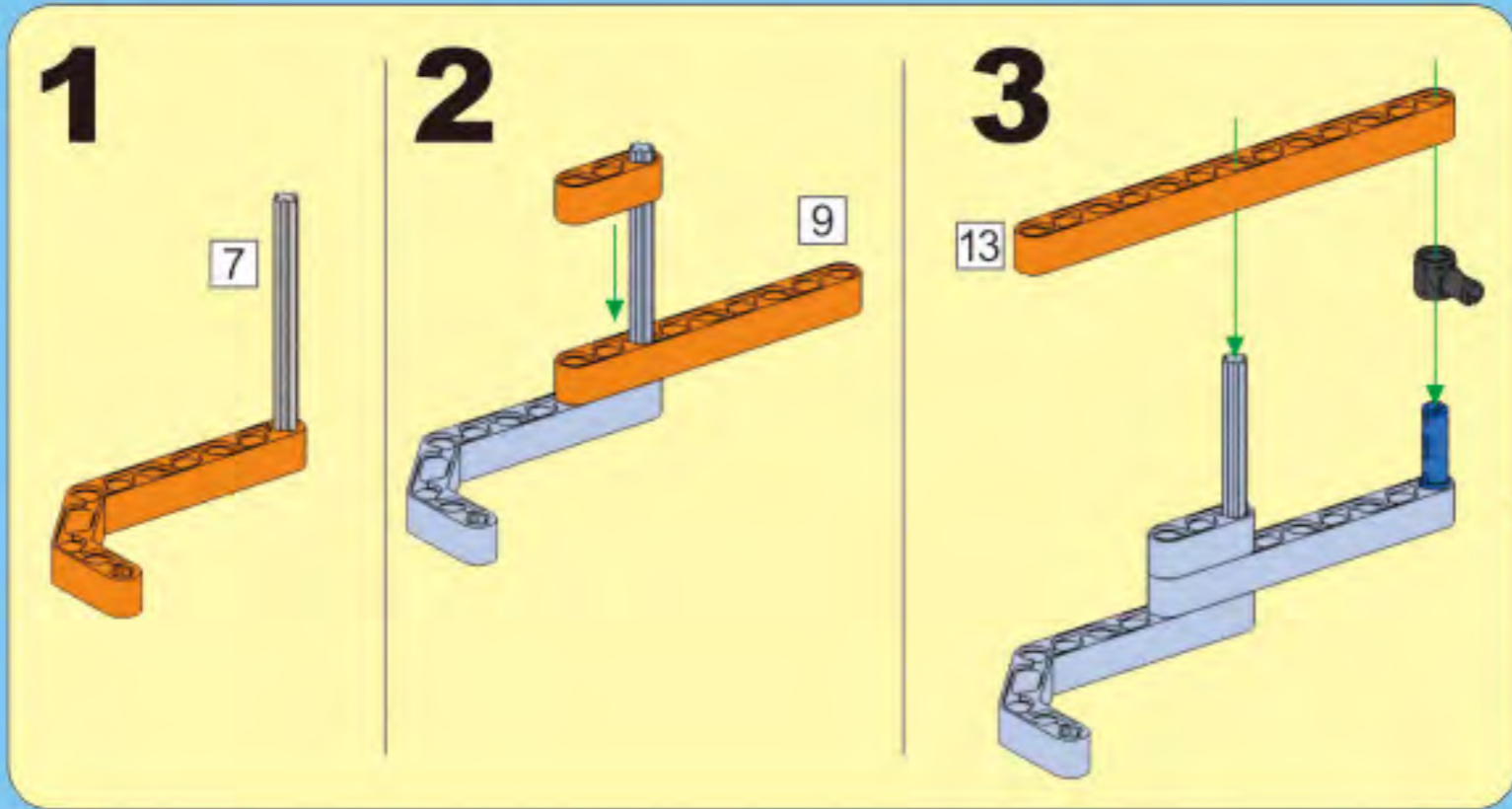
---

- ## 4

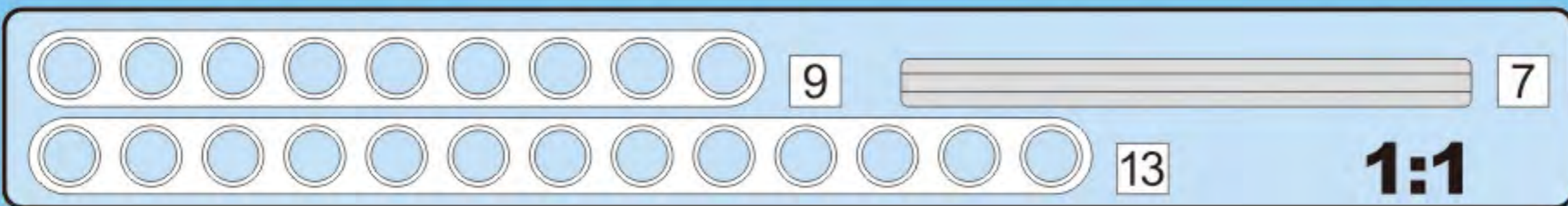
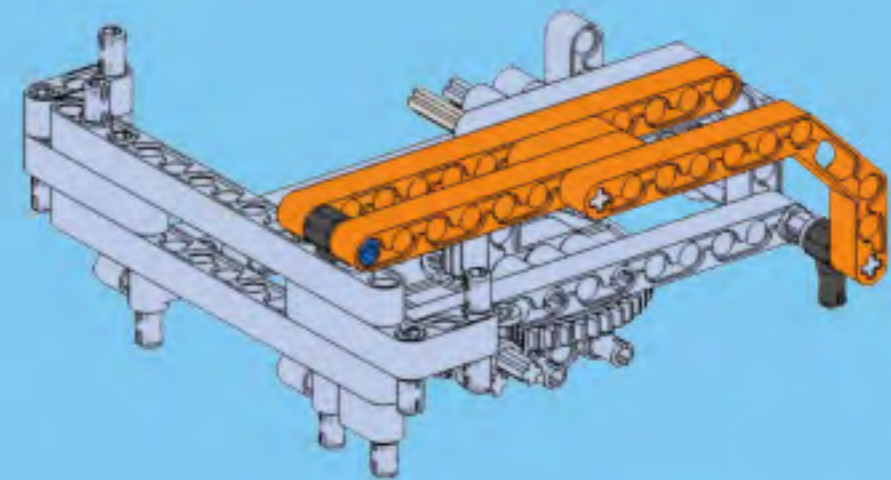
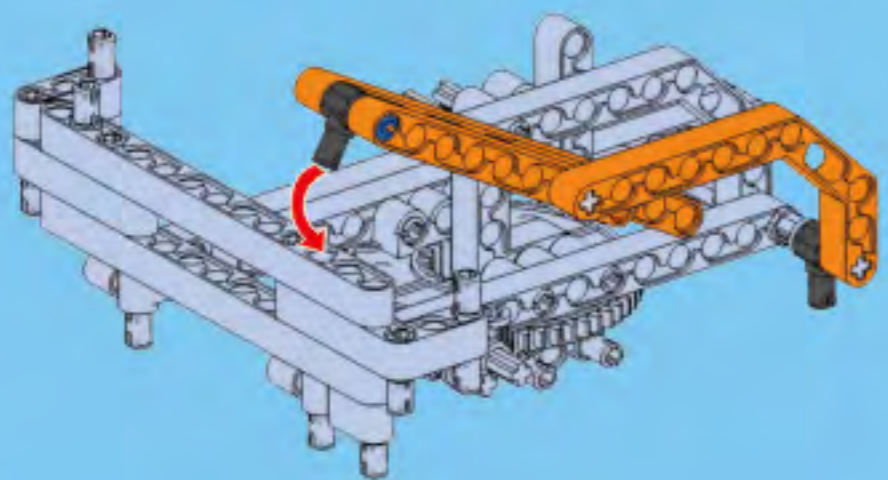


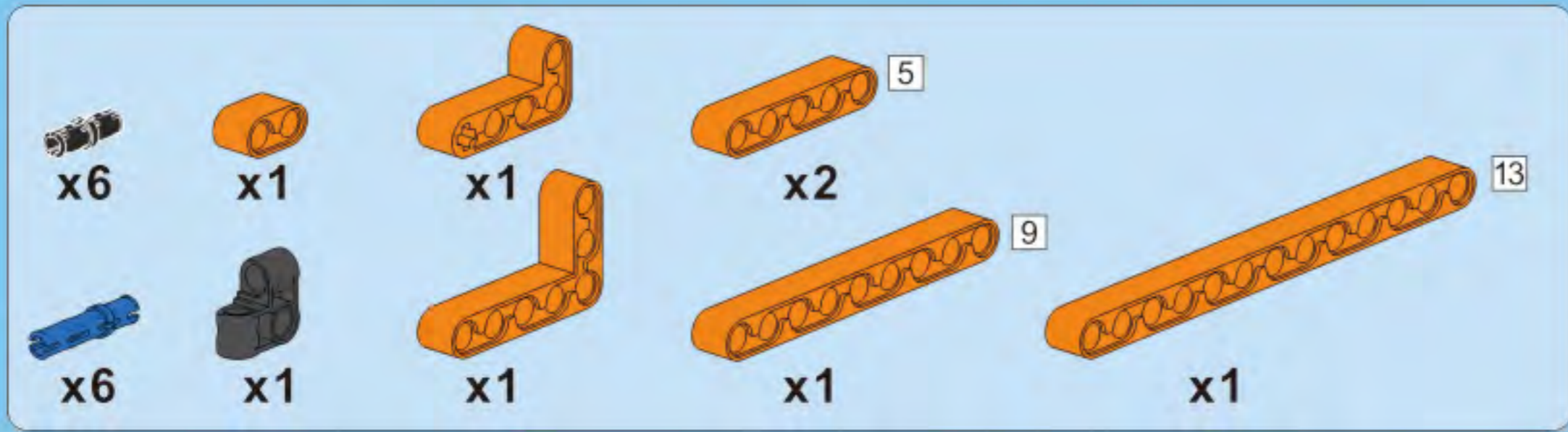


# A10

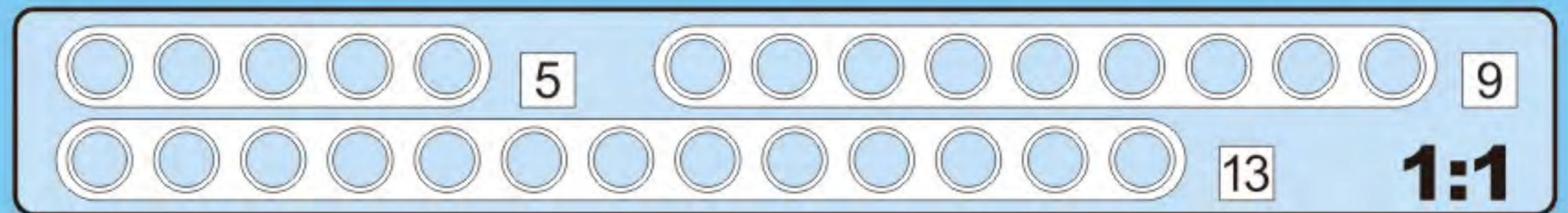
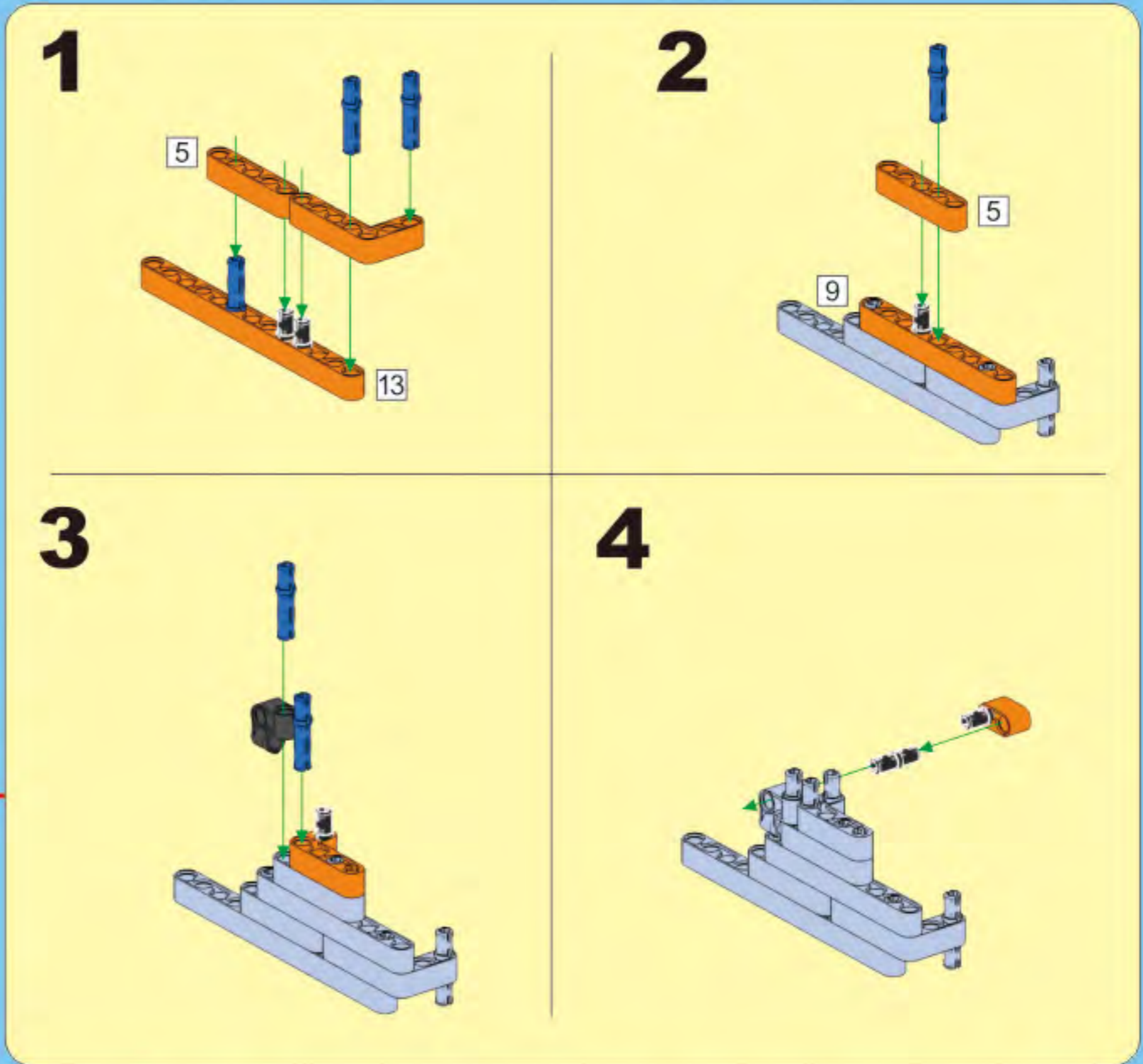
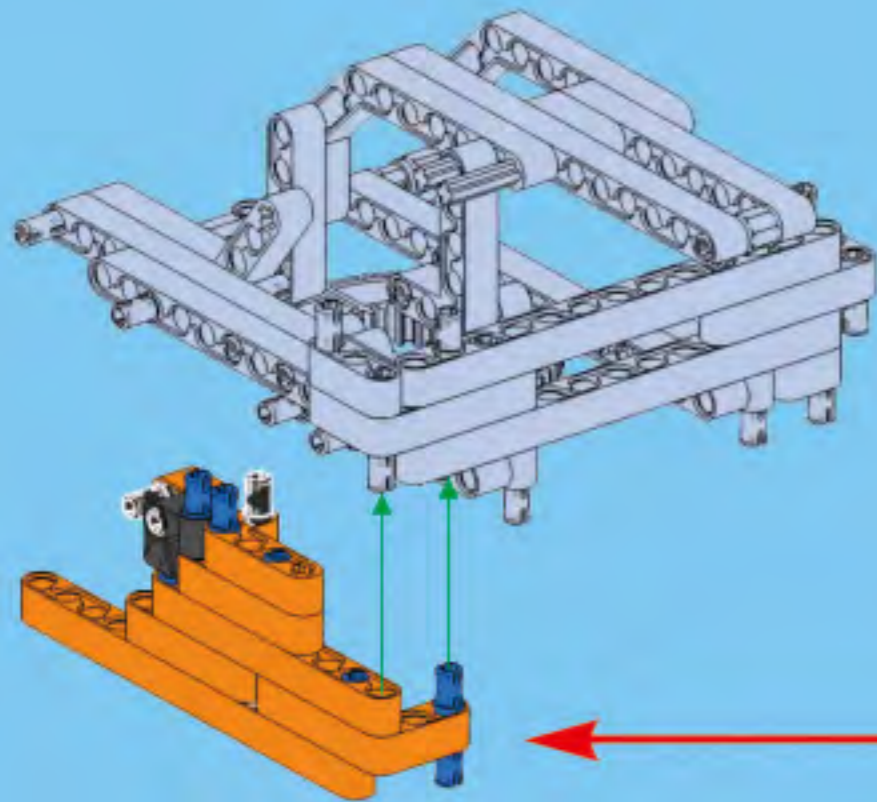


# A11

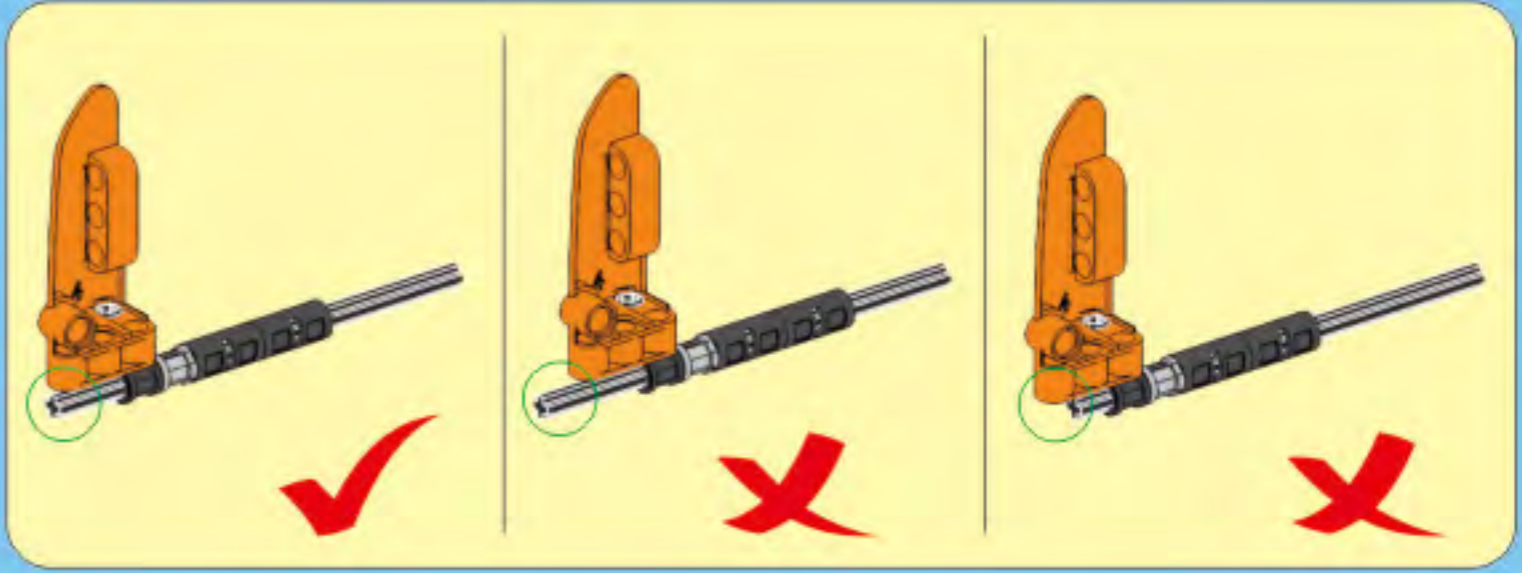
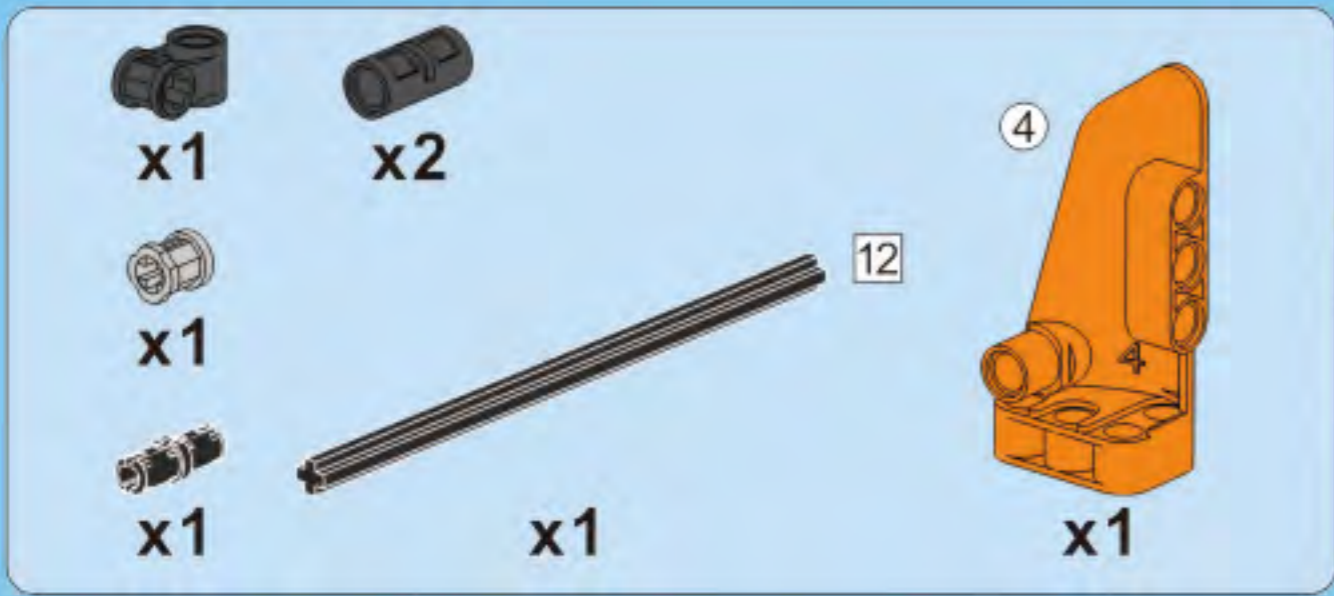




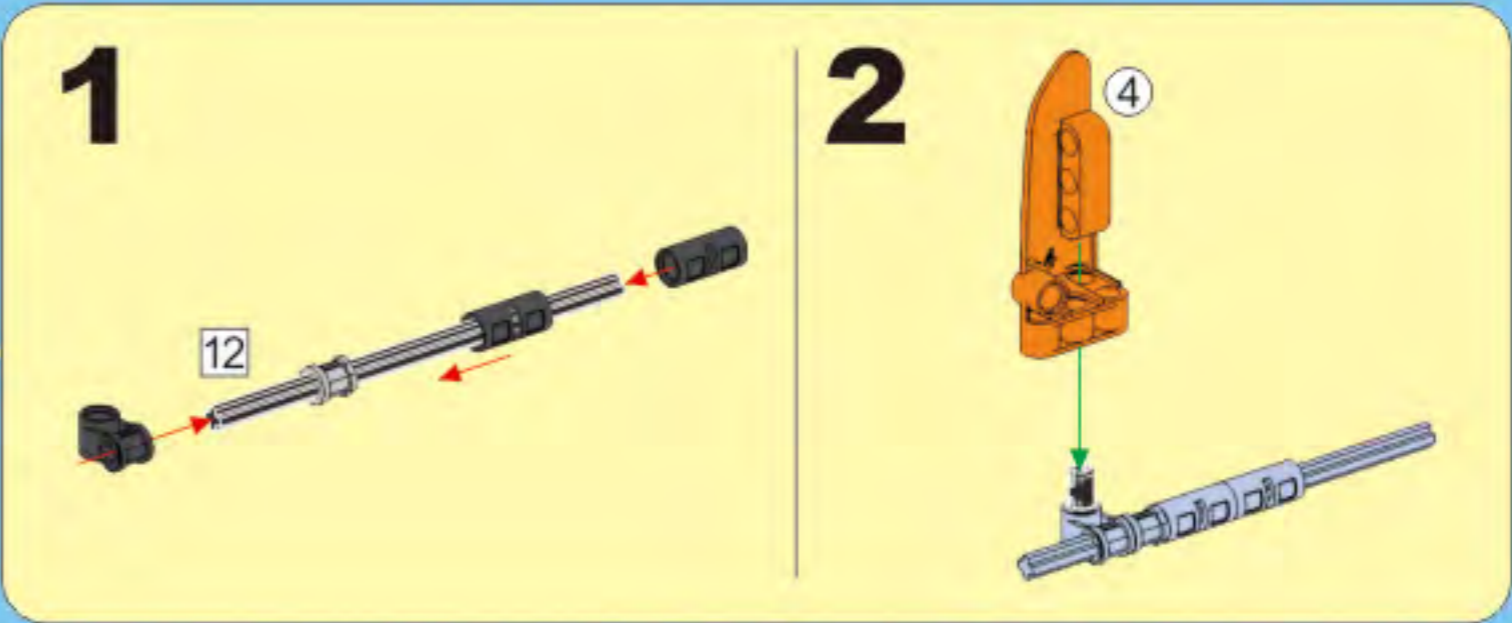
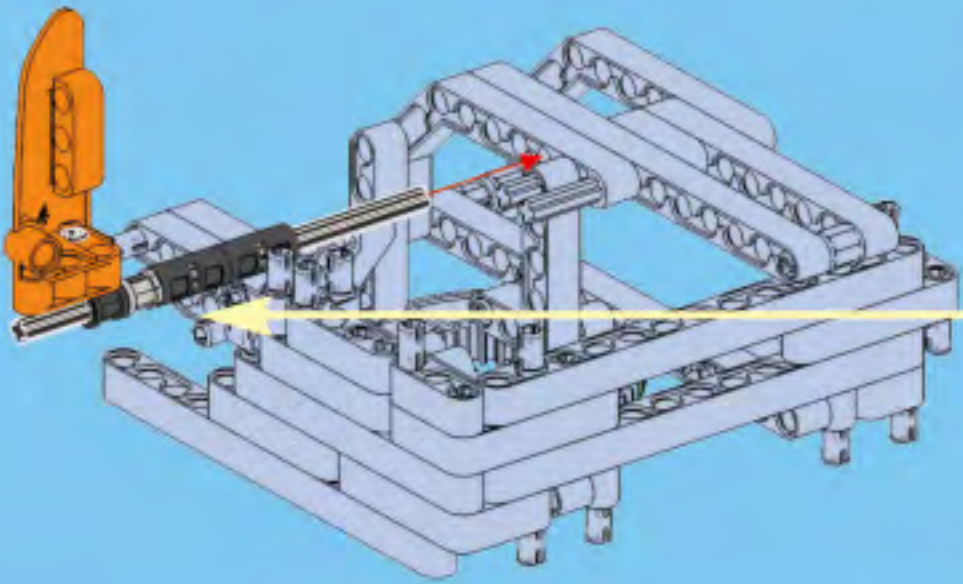
# A12



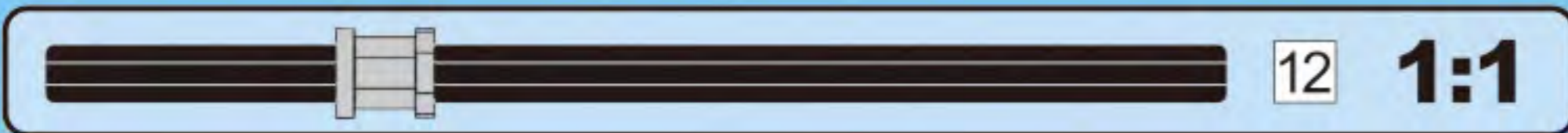
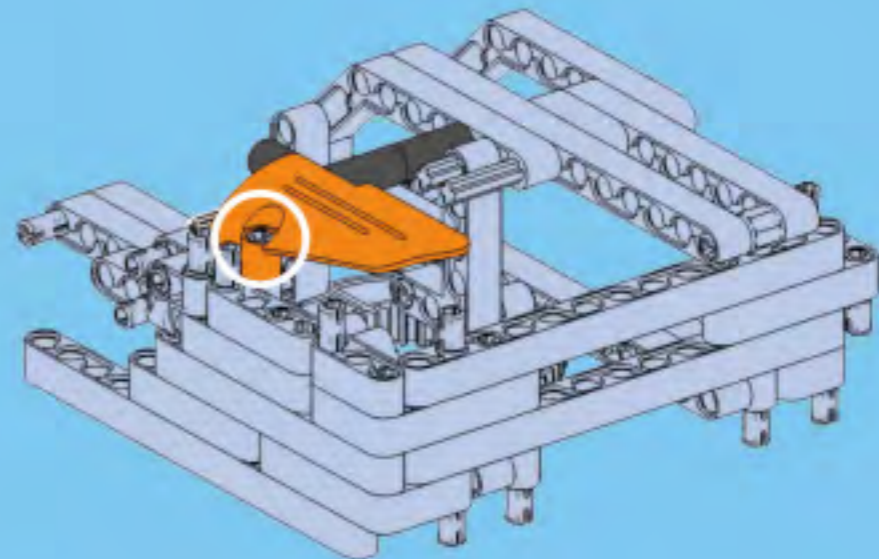
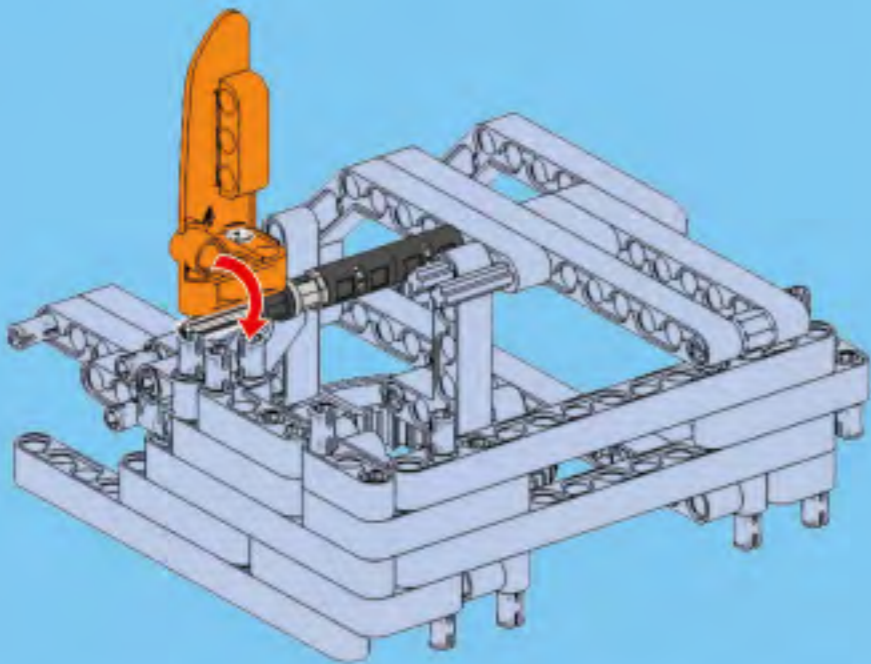


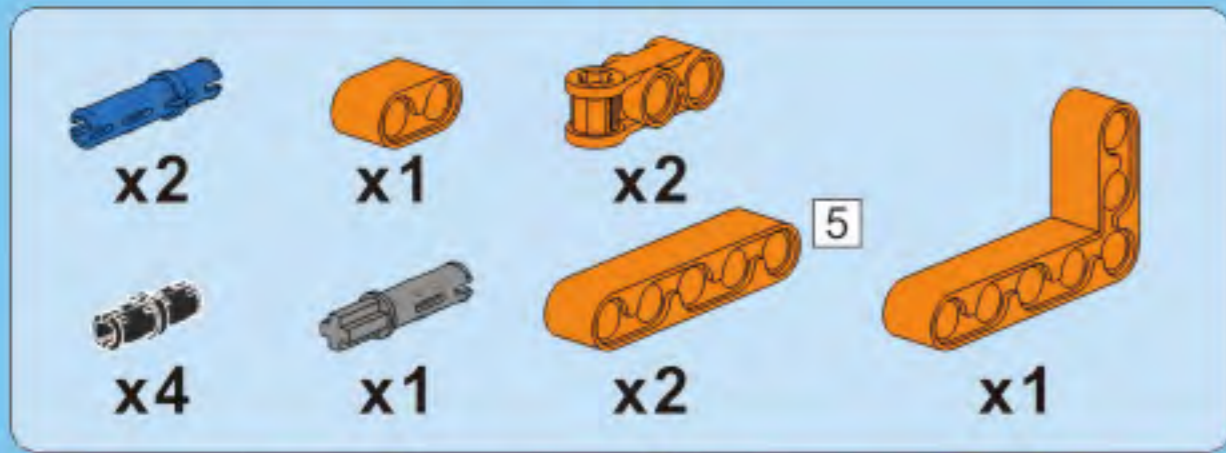


# A13

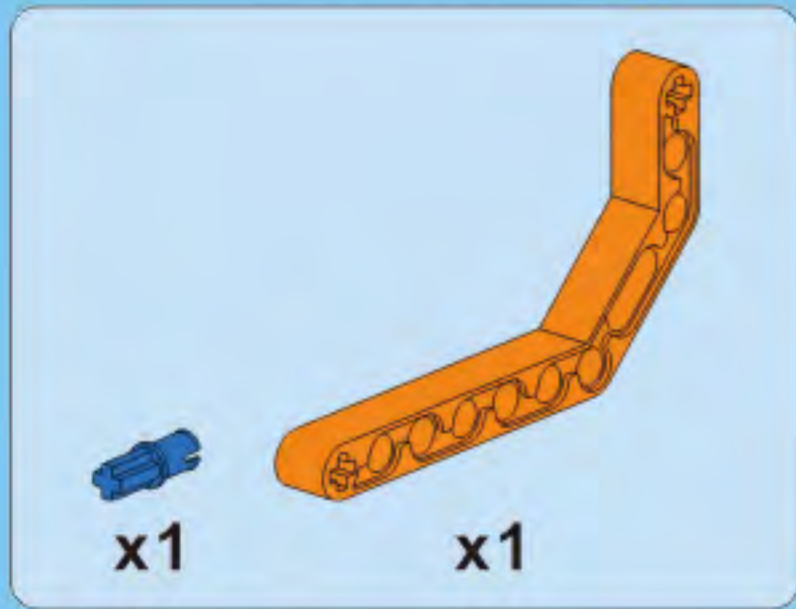
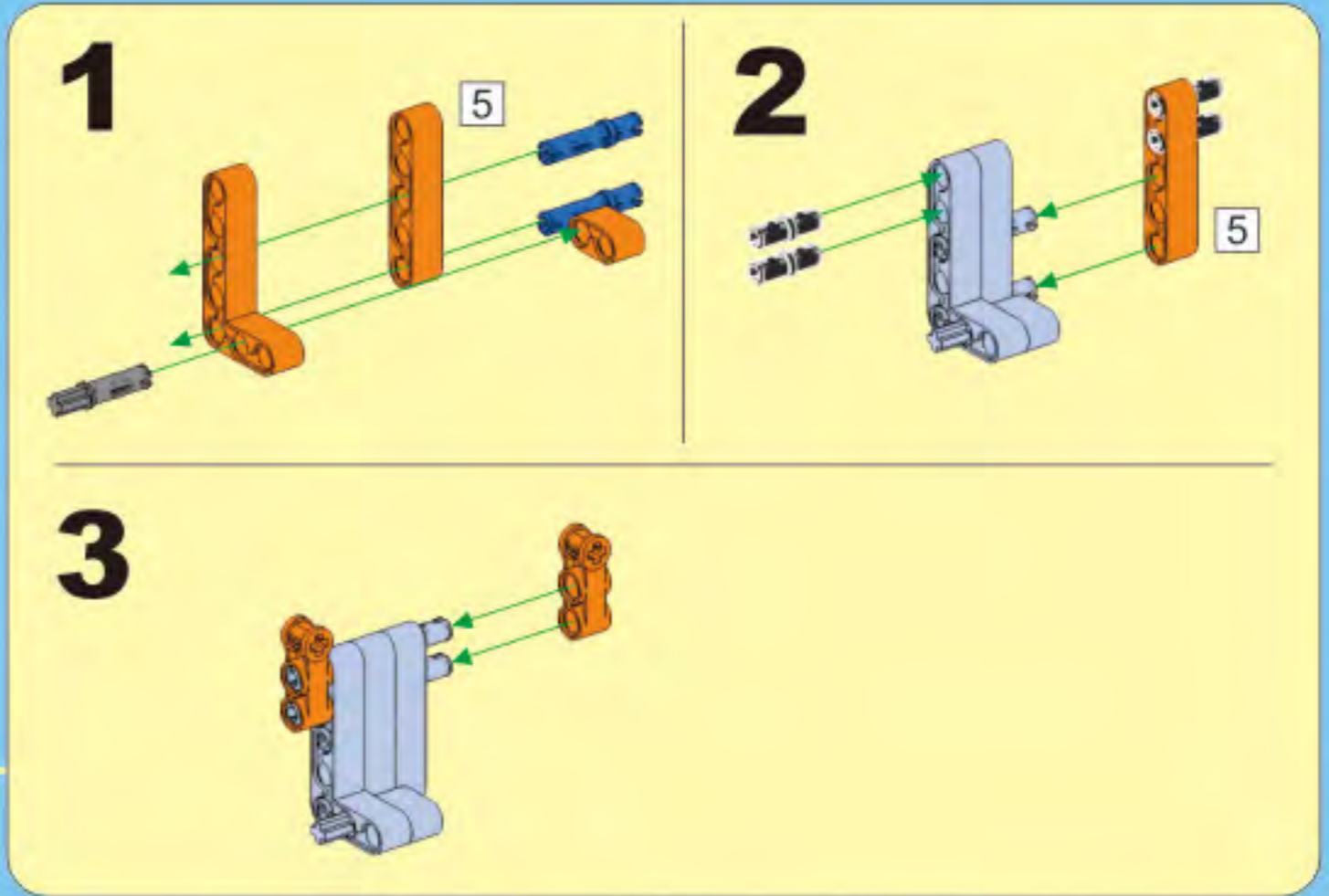
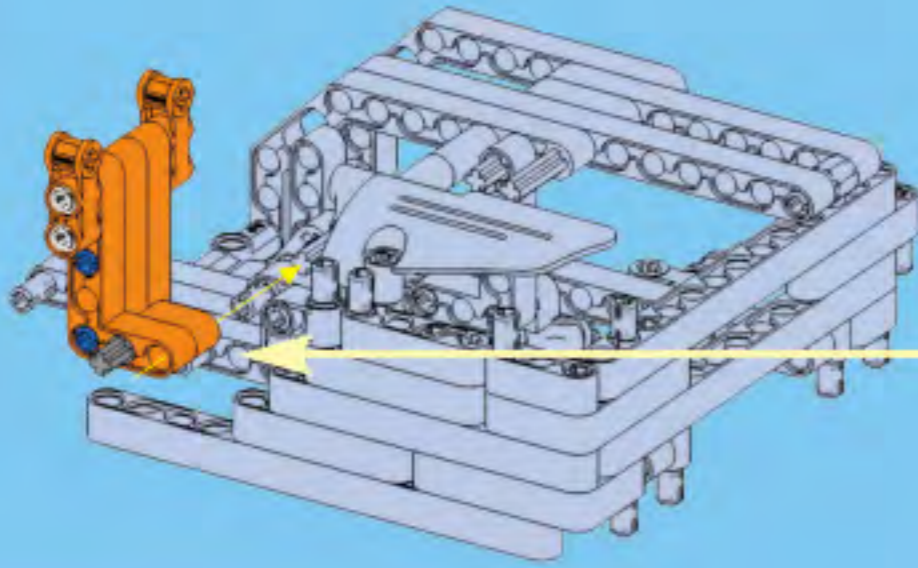


# A14

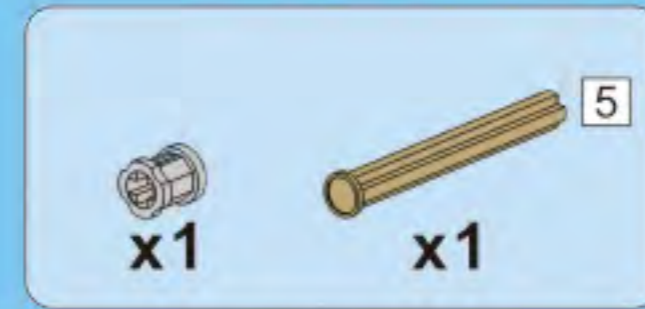
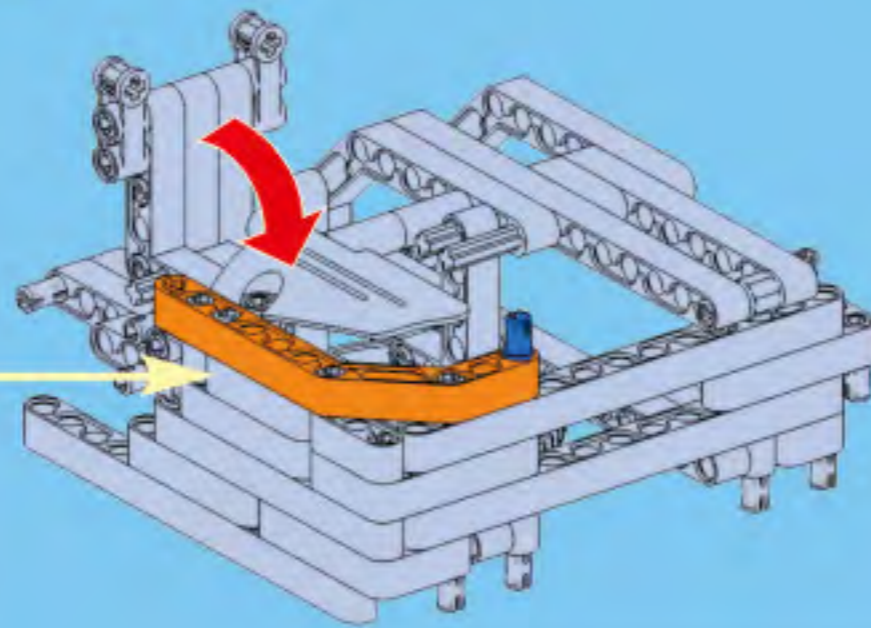
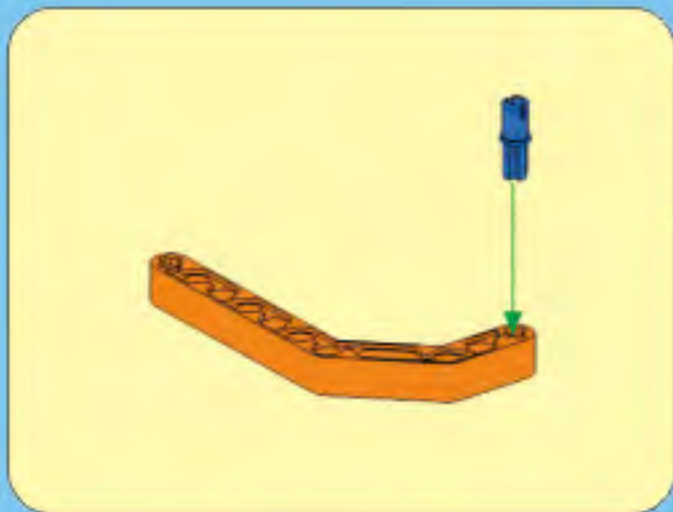




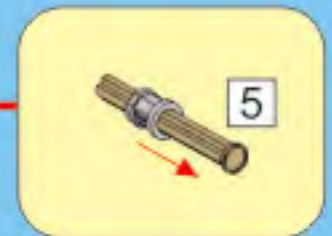
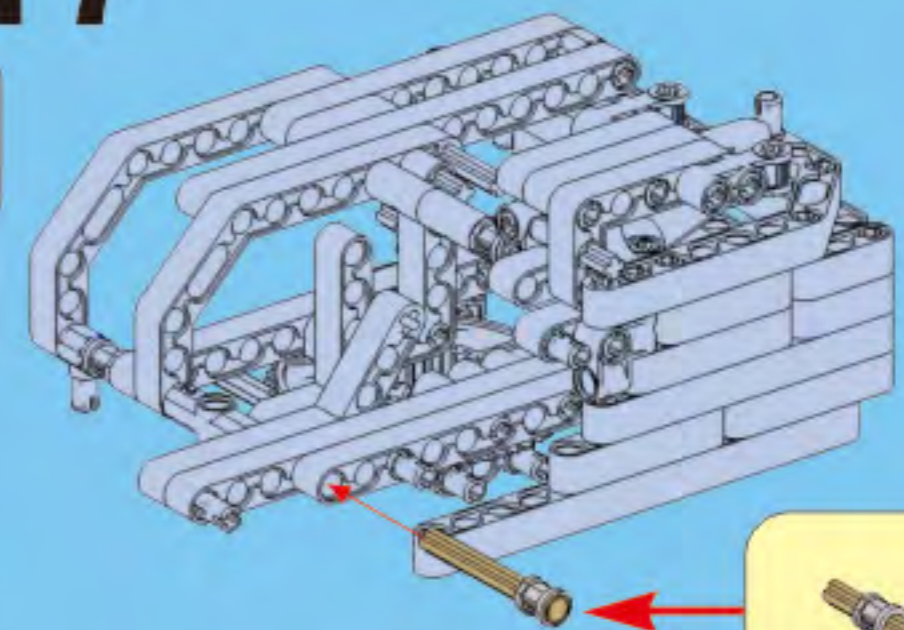
# A15

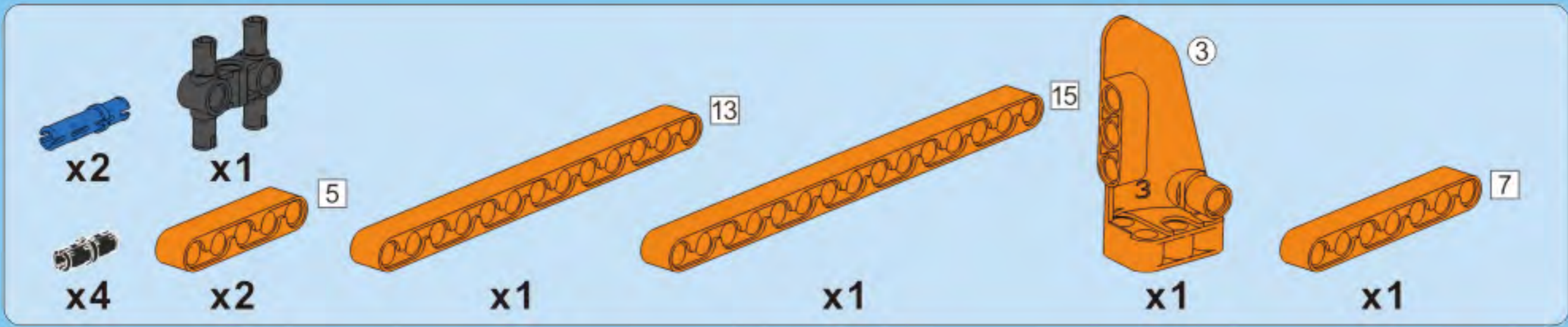


# A16

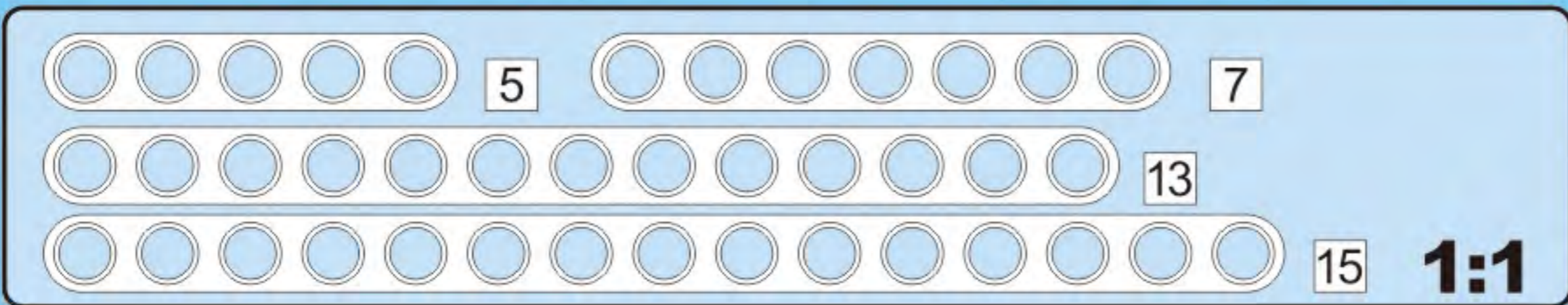
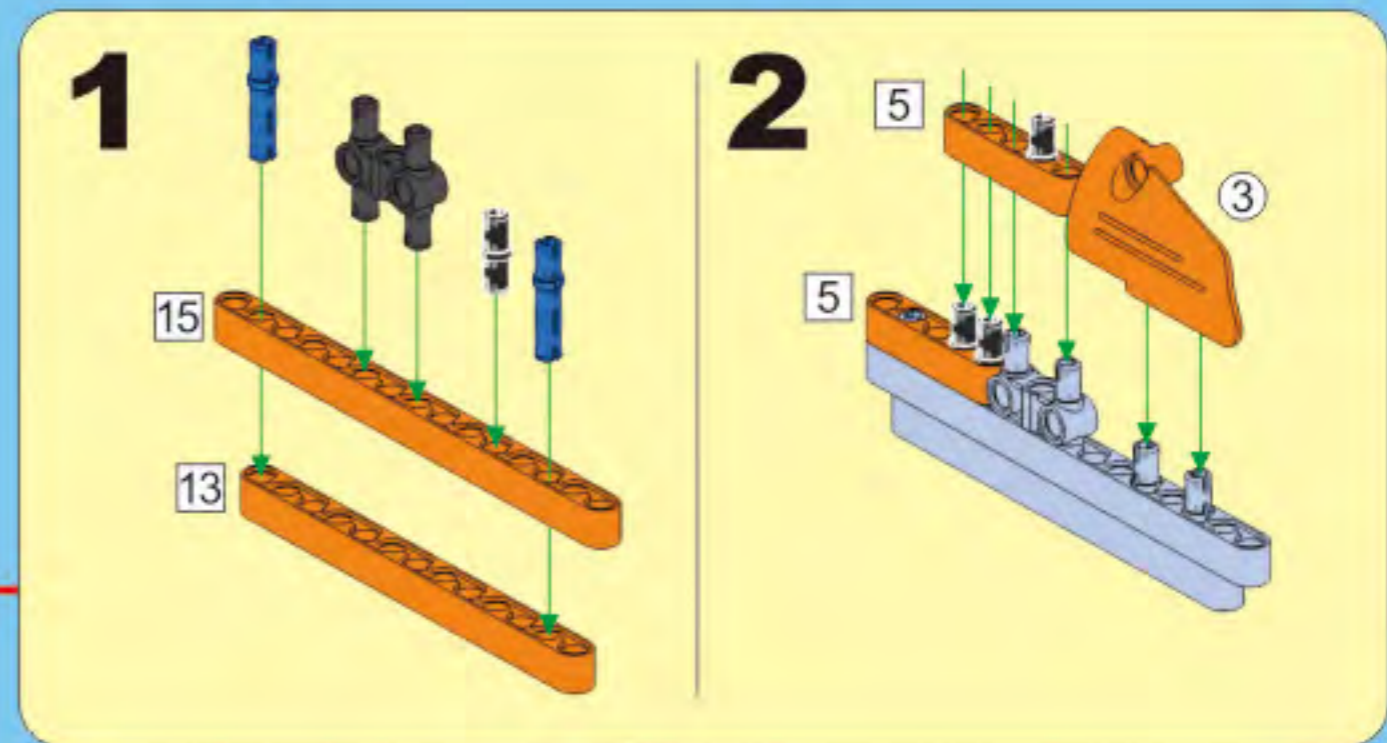
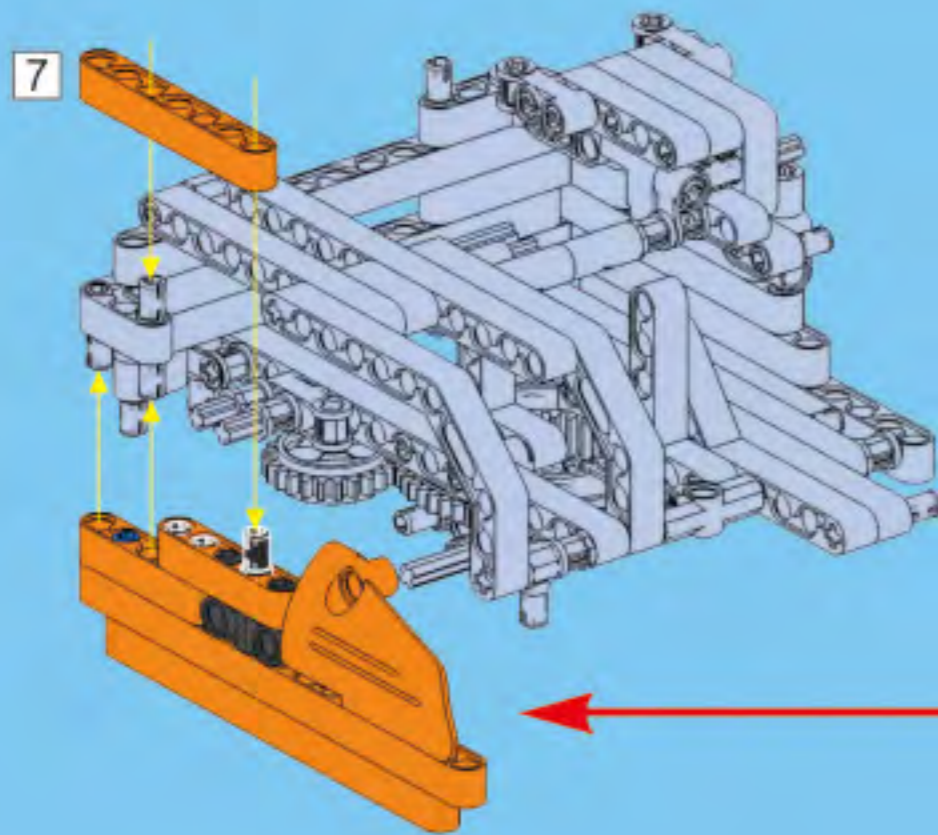


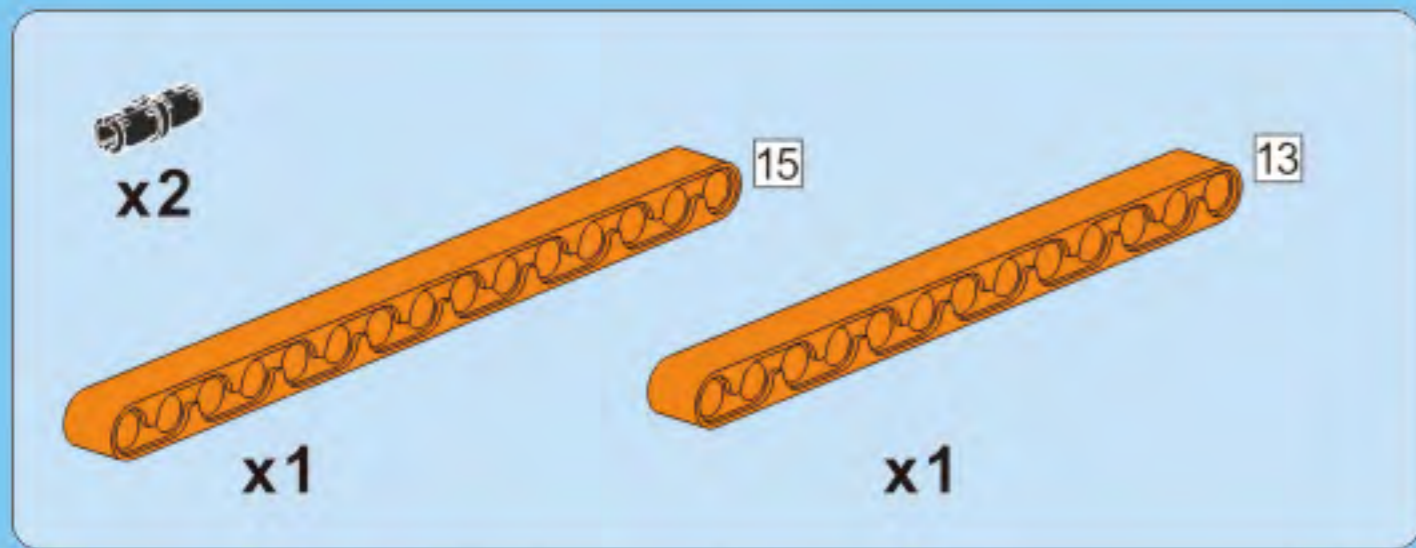
# A17



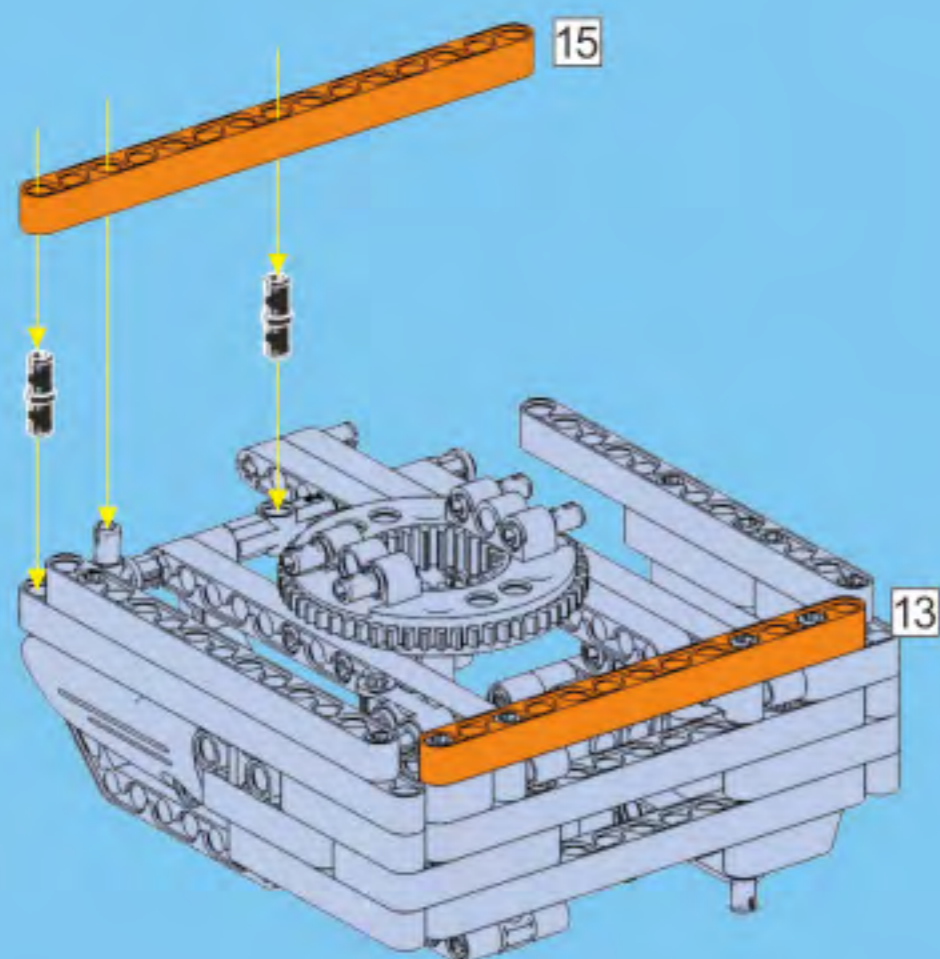


# A18

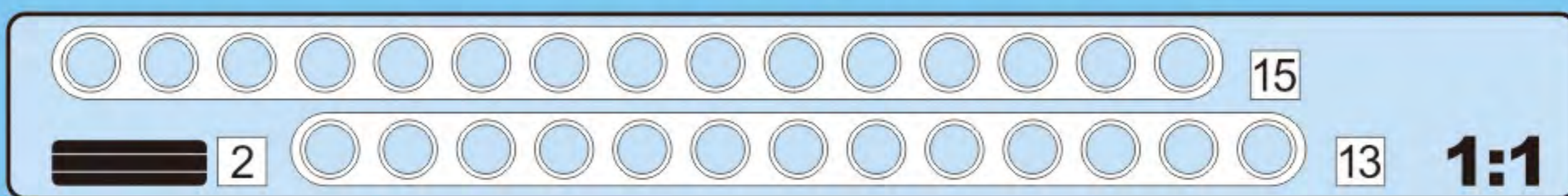
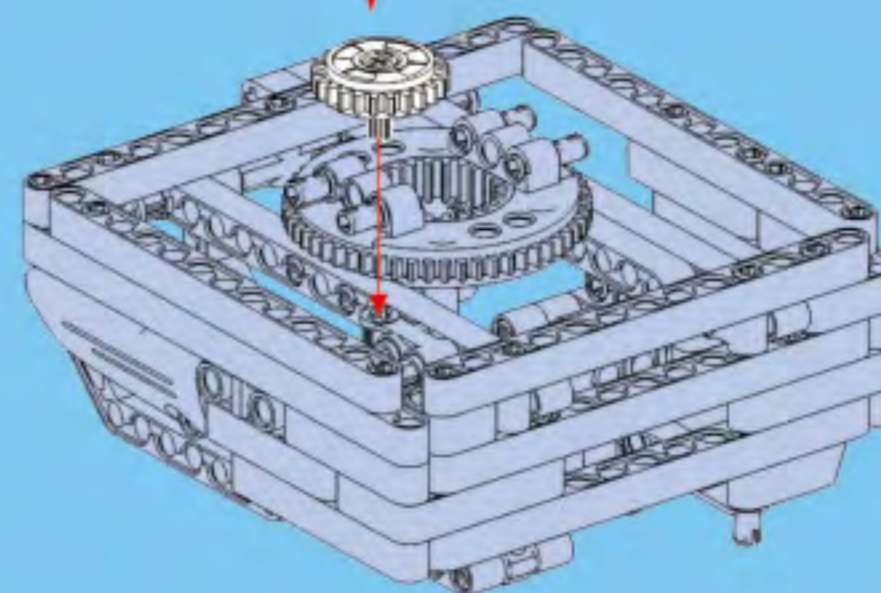
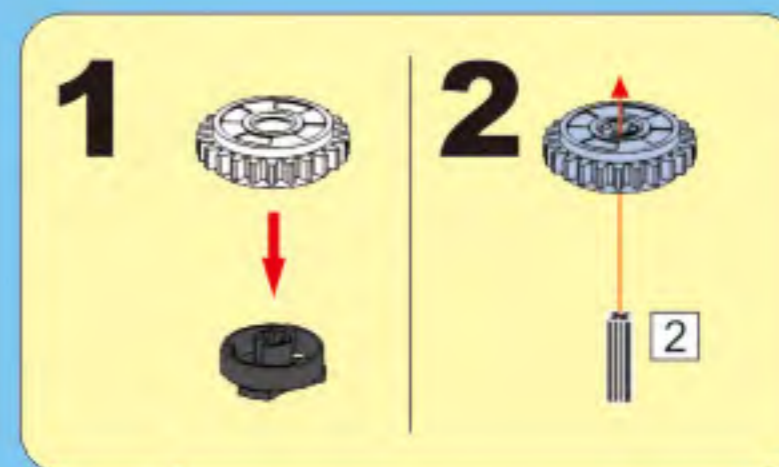


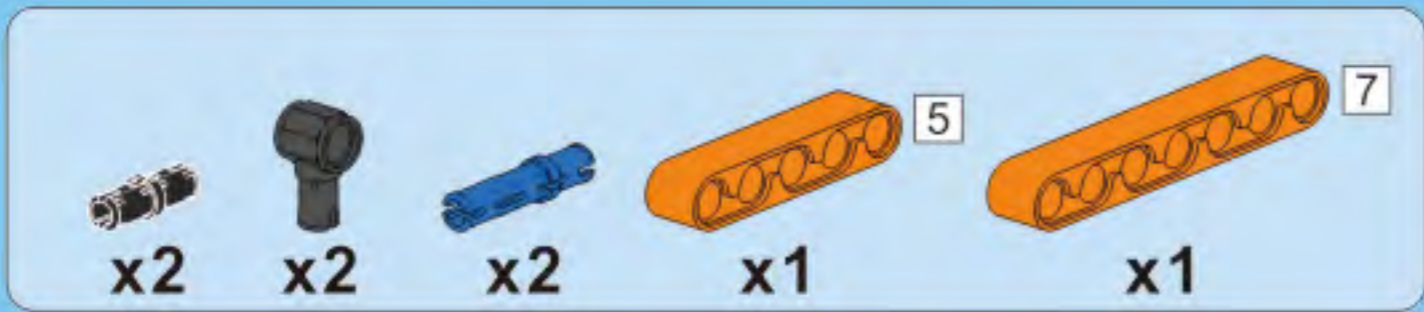


# A19

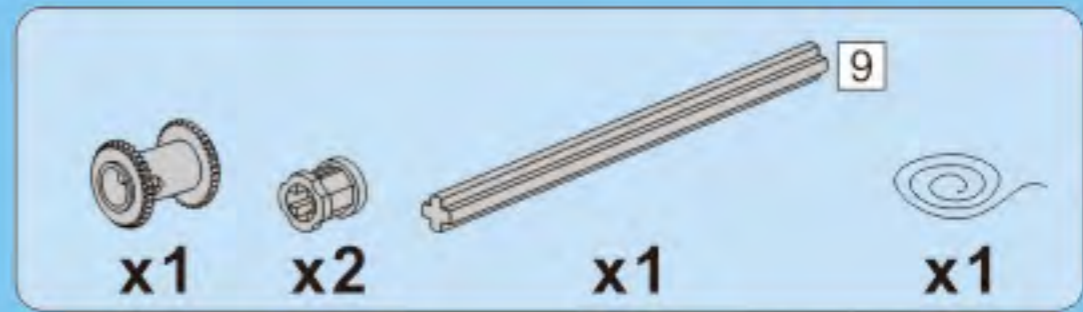
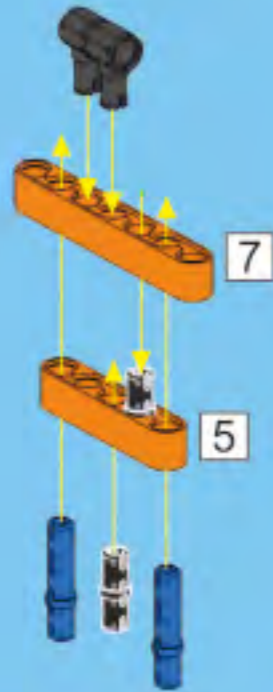


# A20

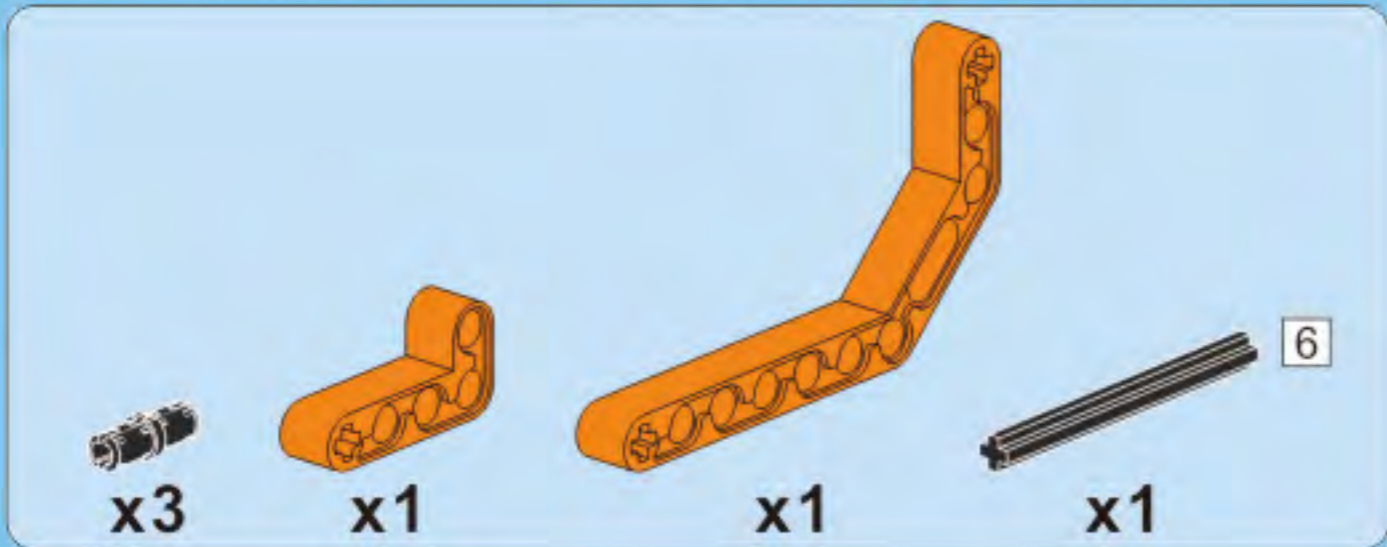
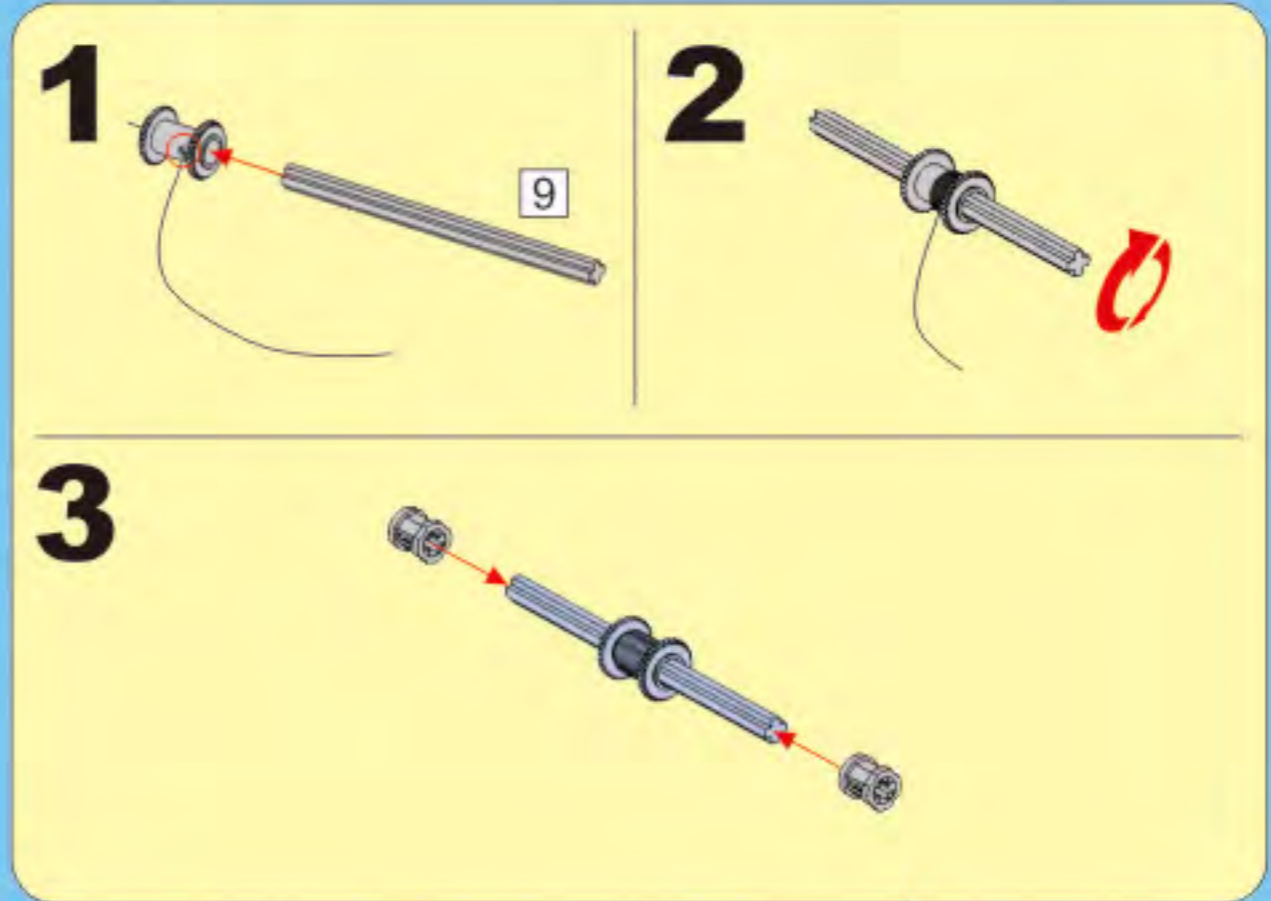




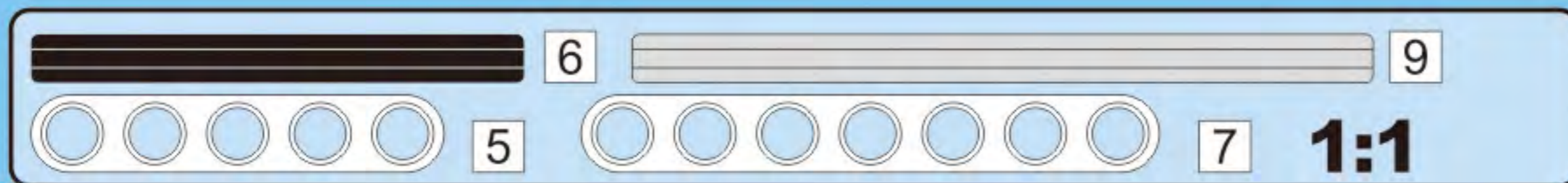
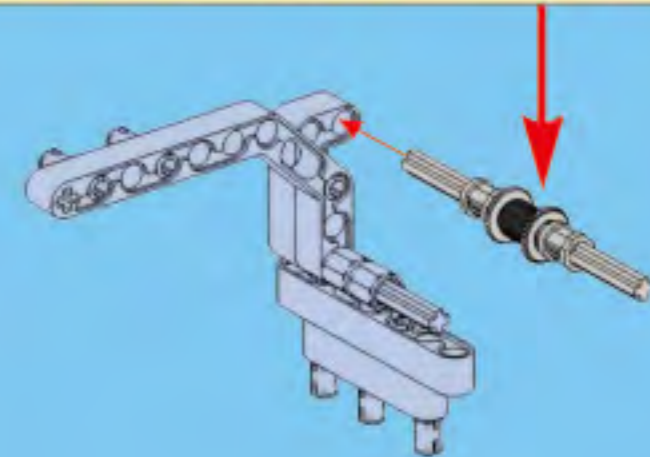
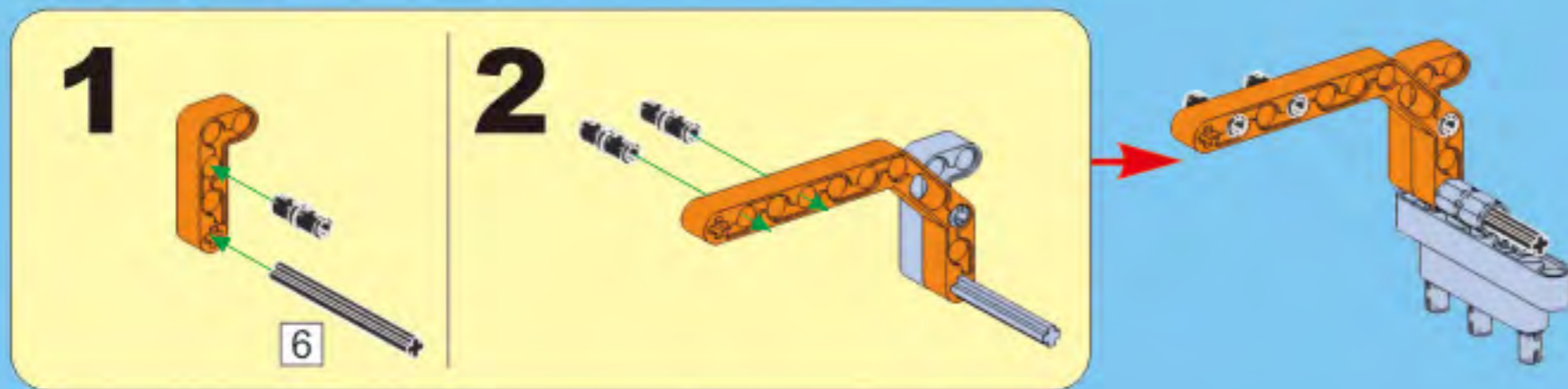
# A21

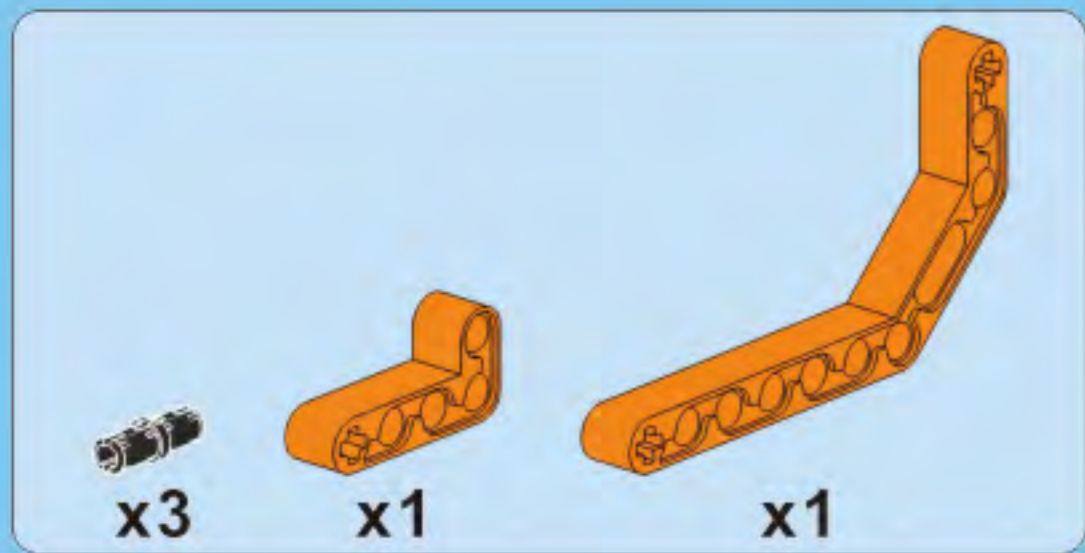


# A23

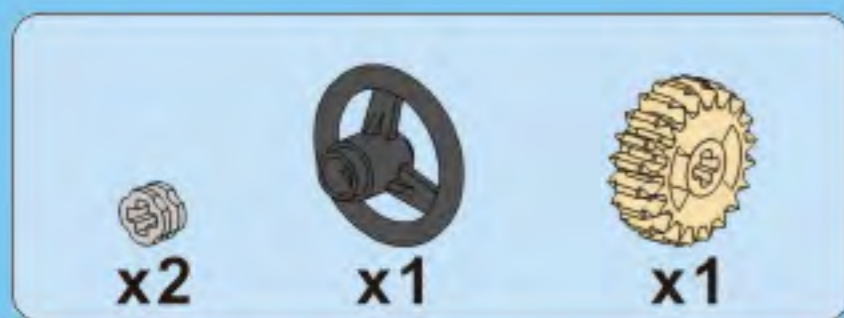
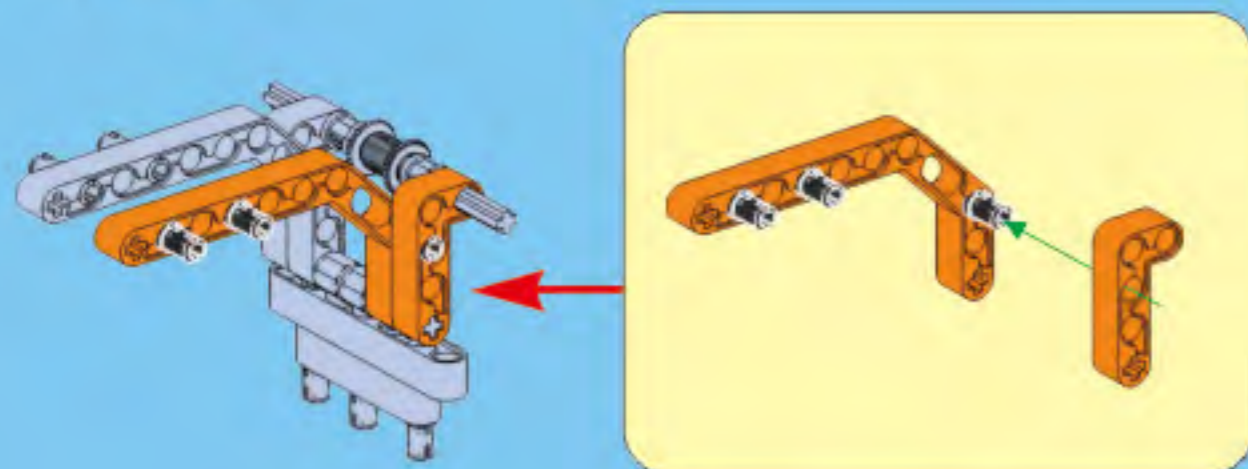


# A22

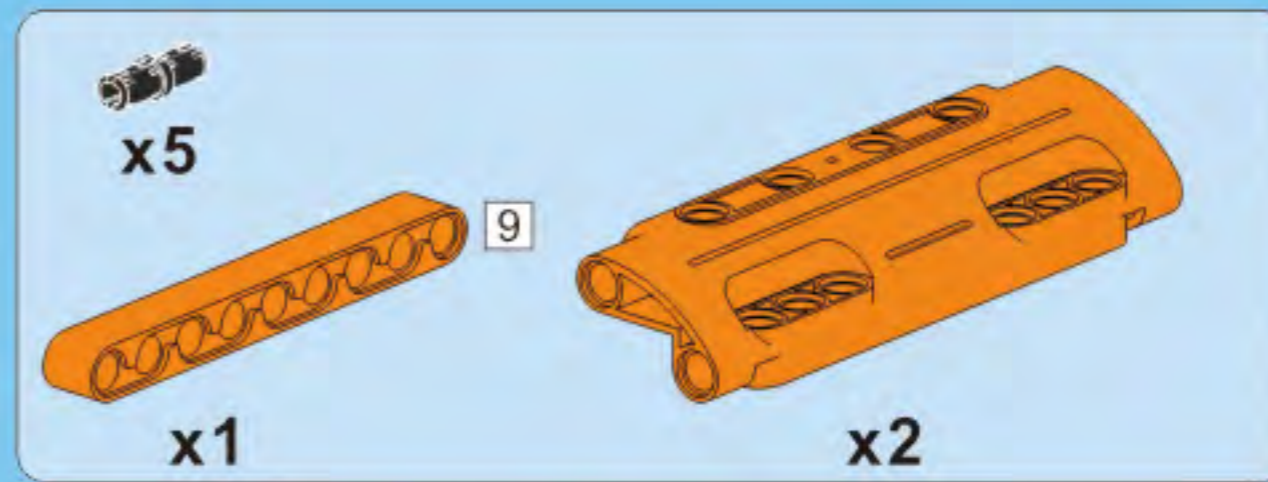
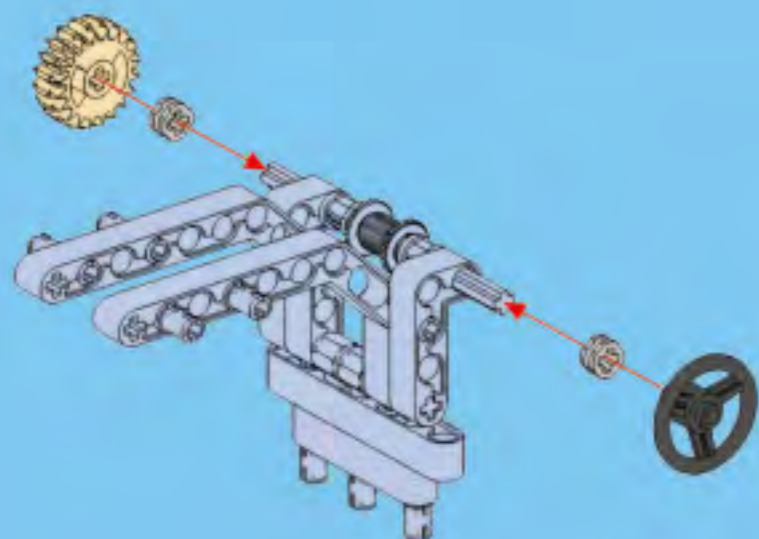




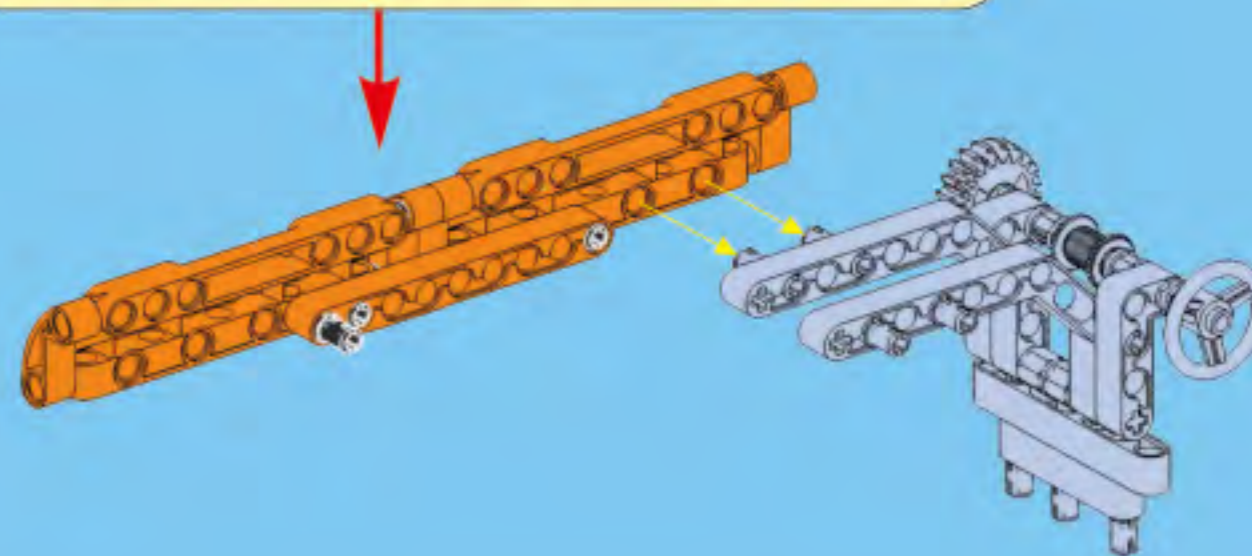
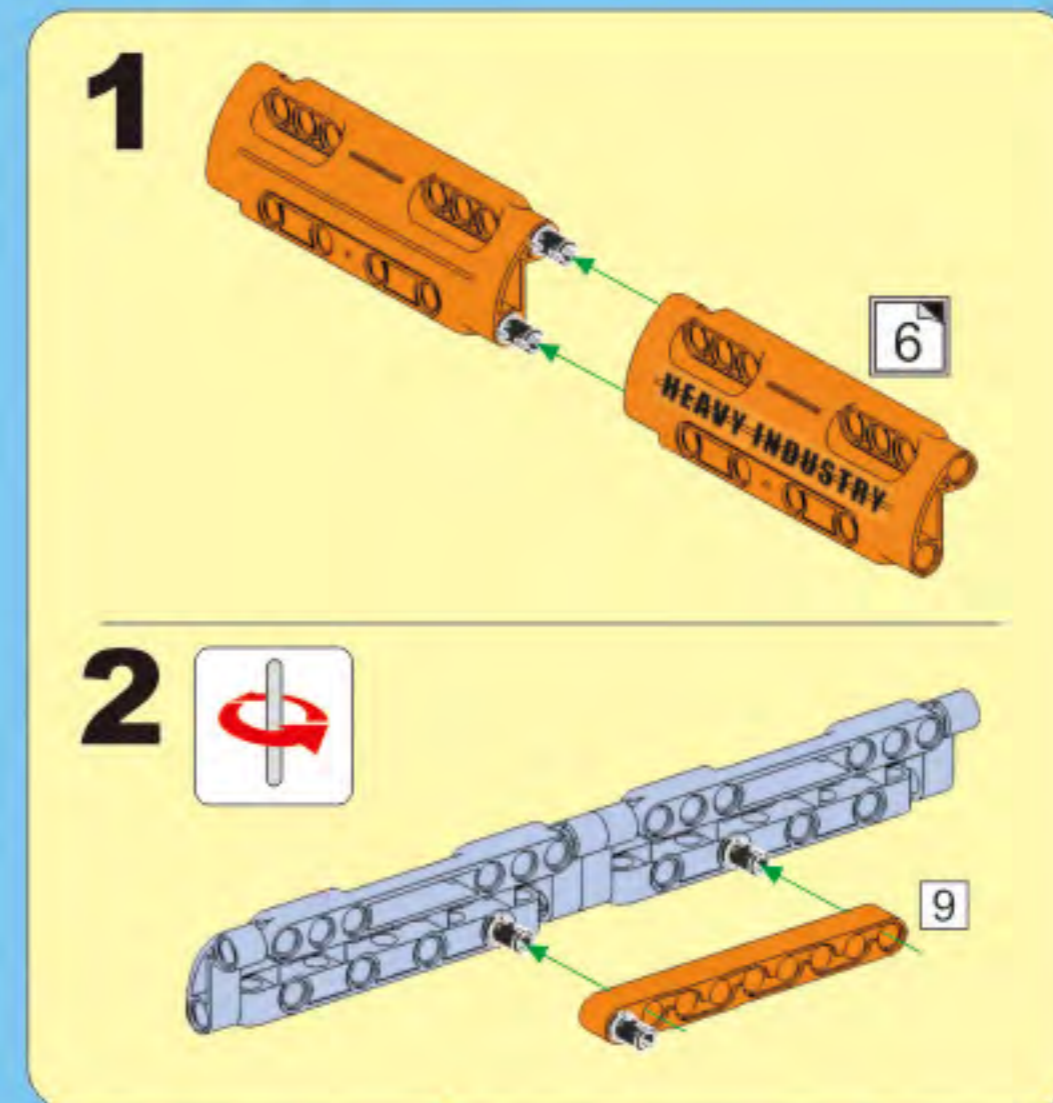
# A24



# A25

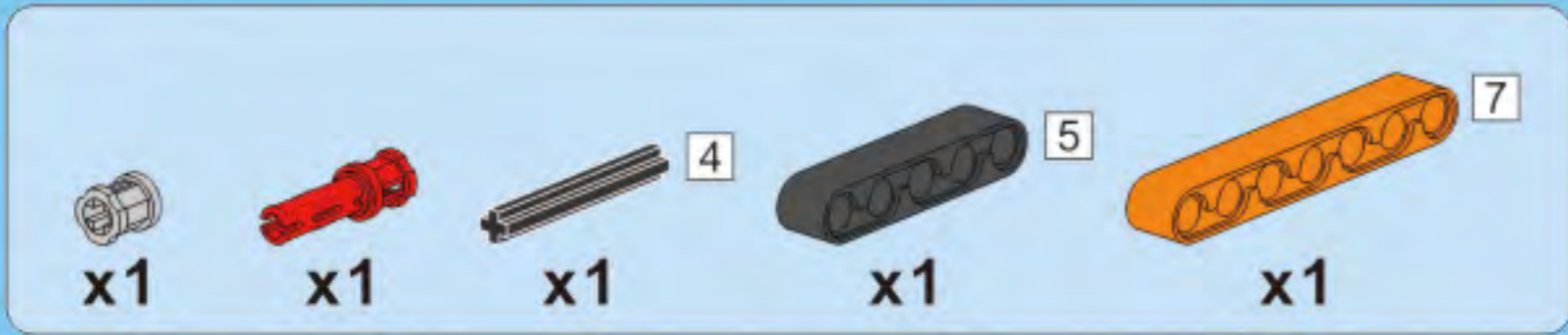
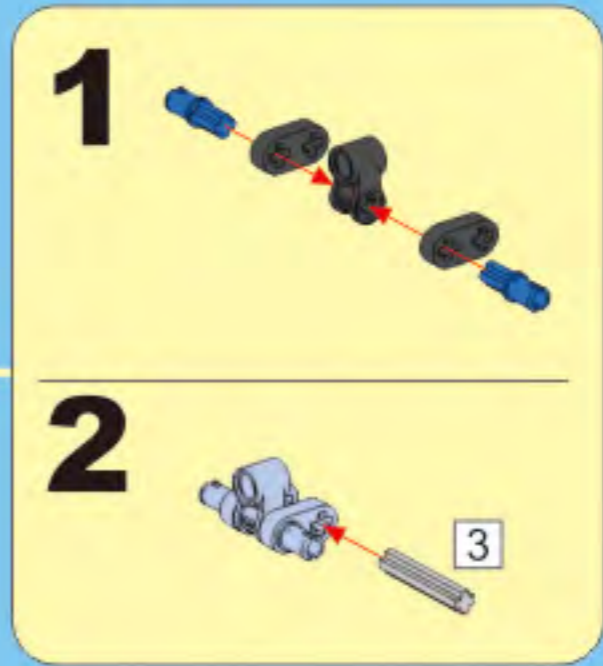
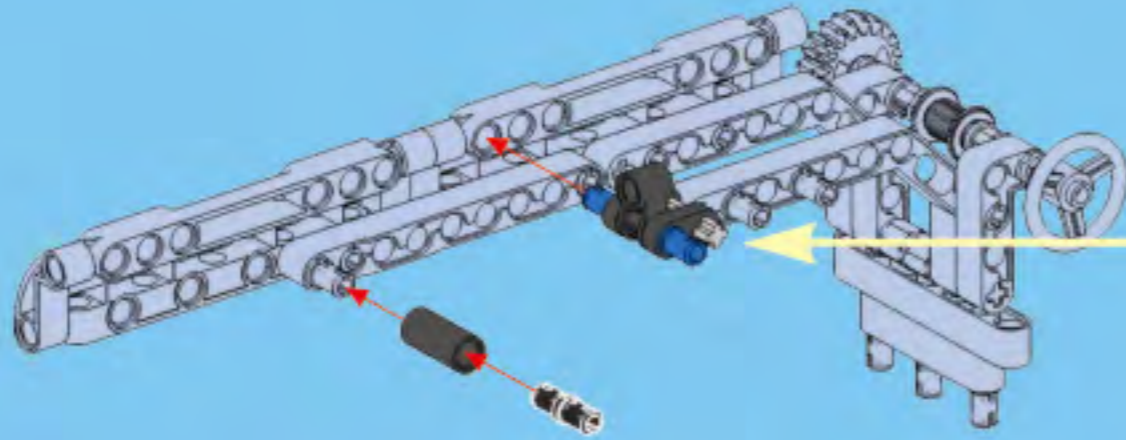


# A26

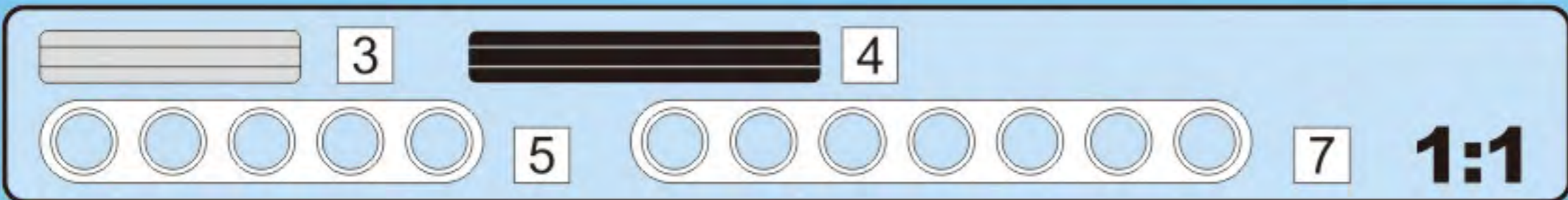
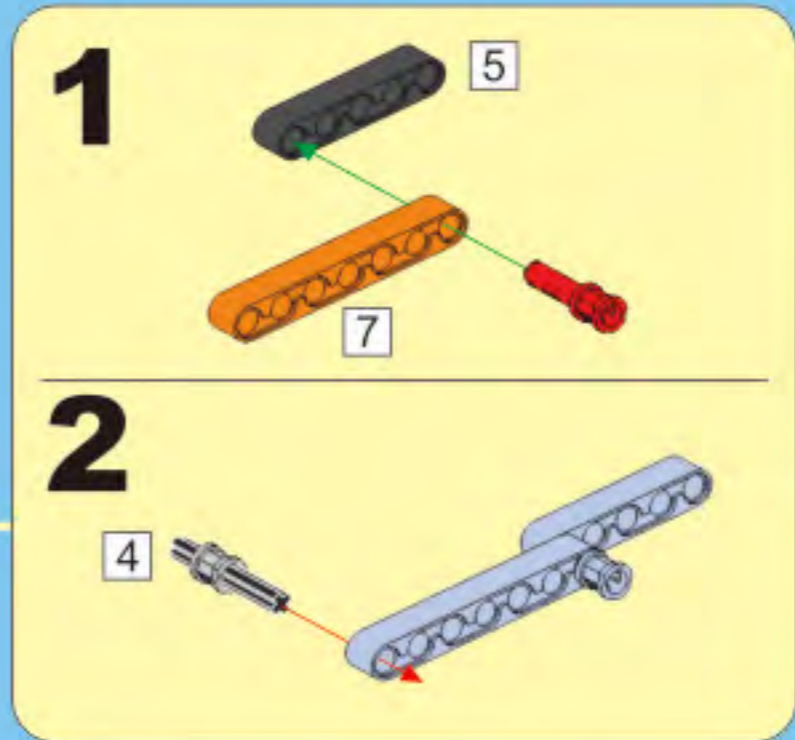
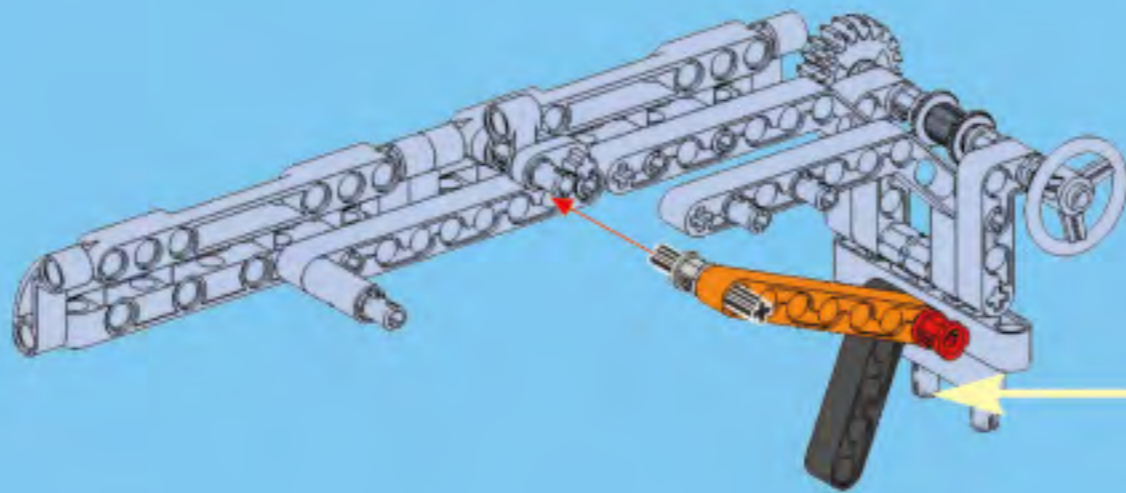




# A27

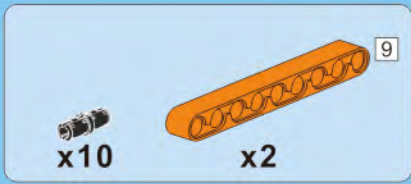


# A28

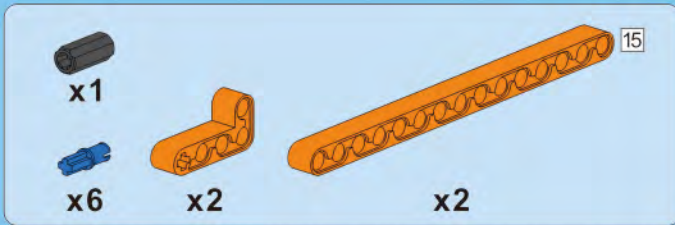
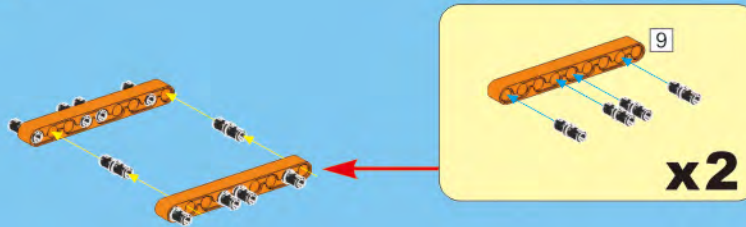




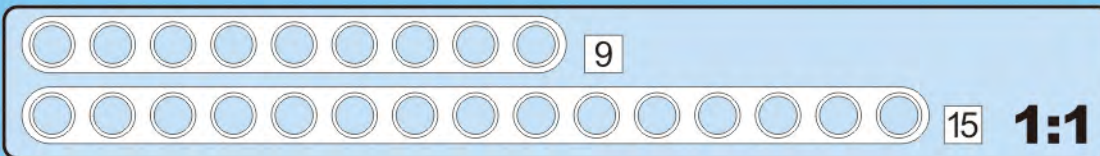
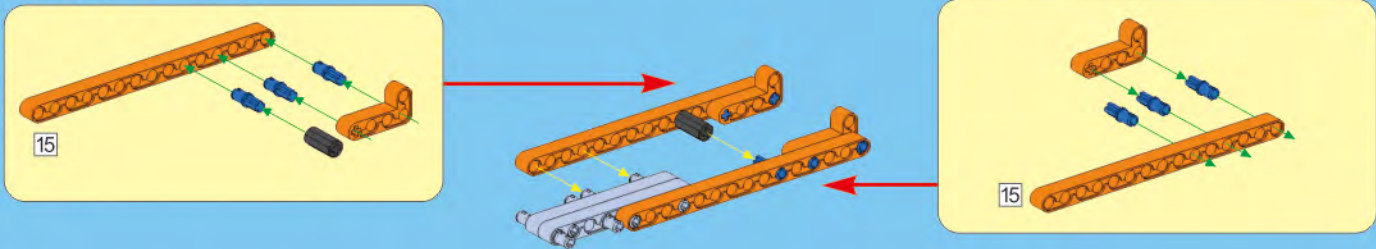


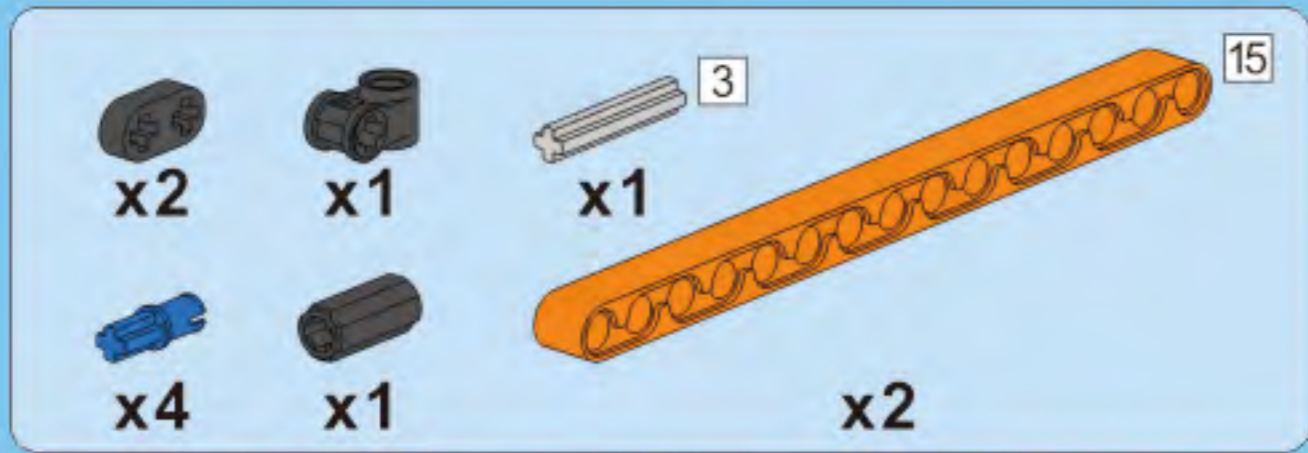


# A31

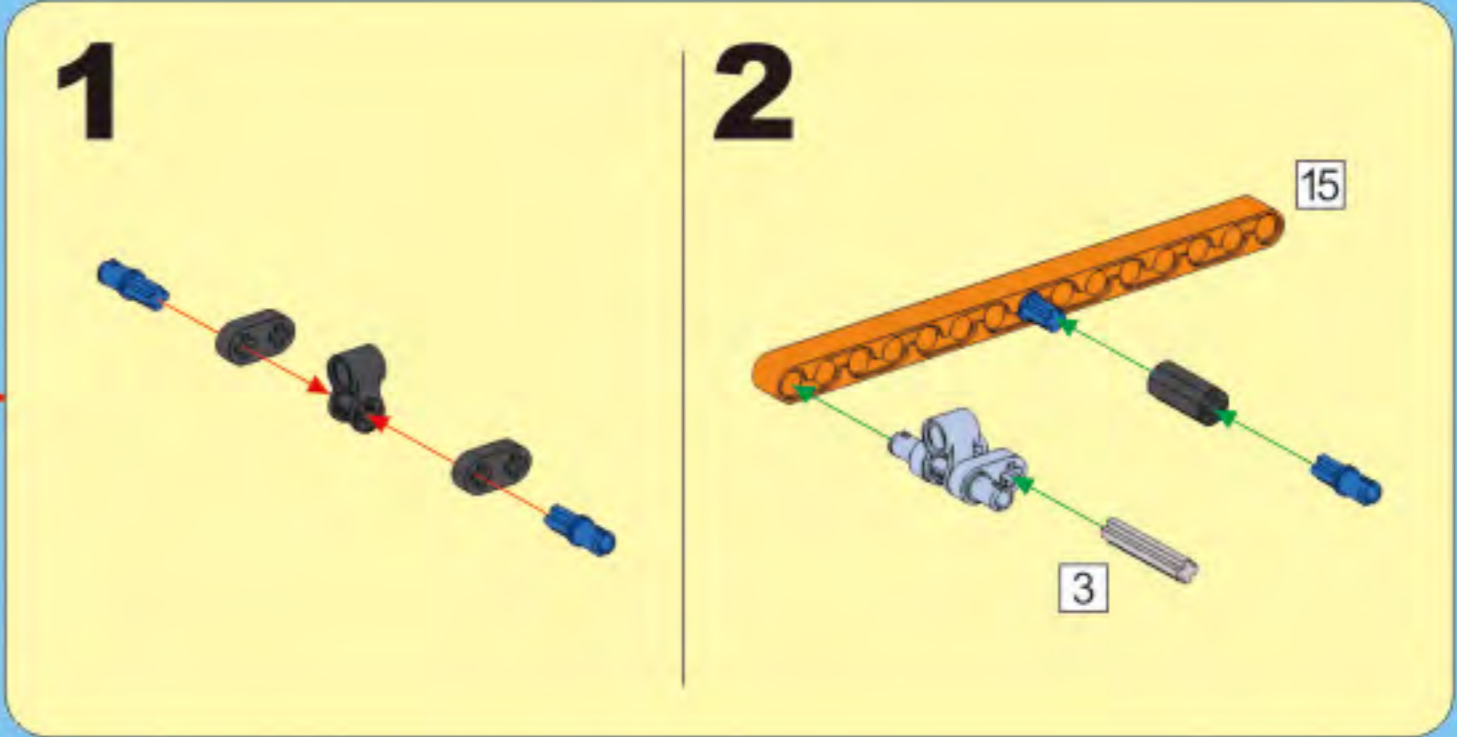
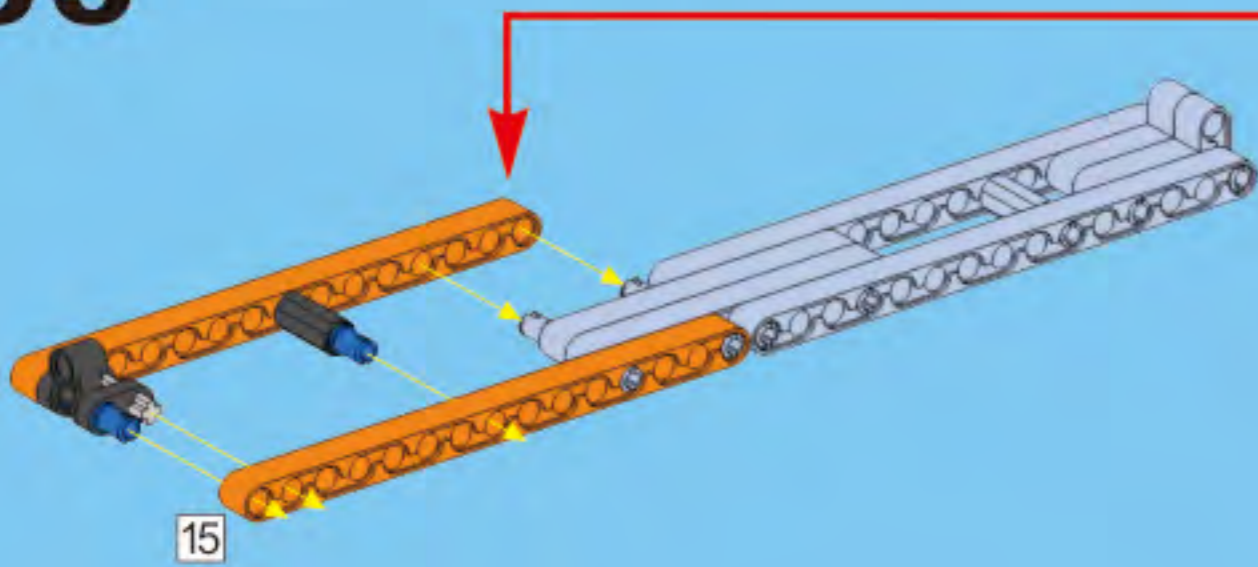


# A32

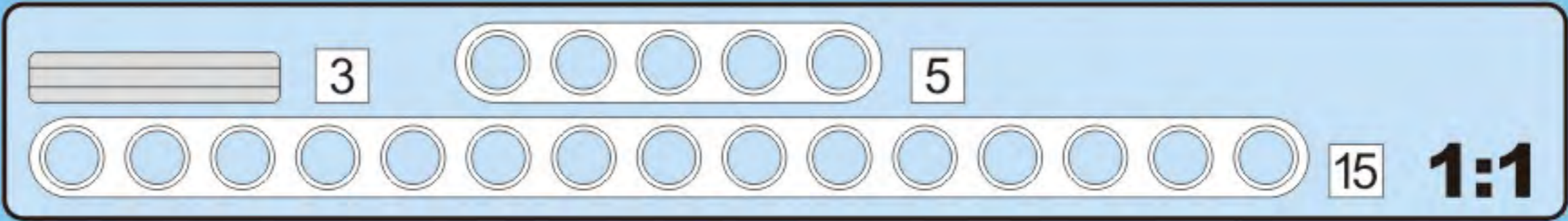
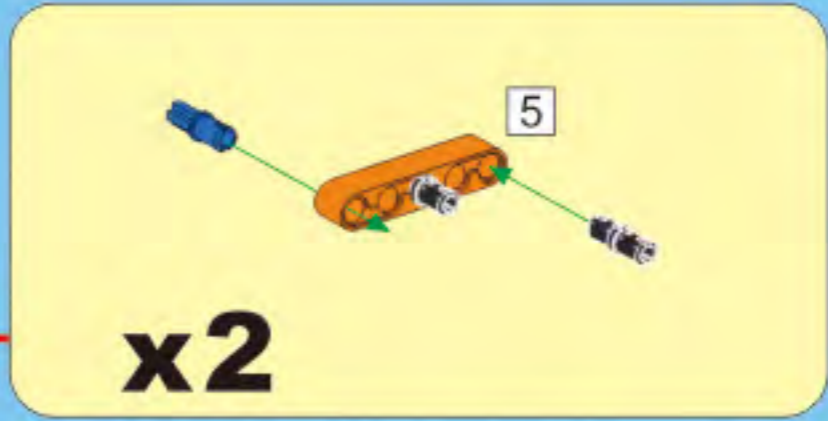
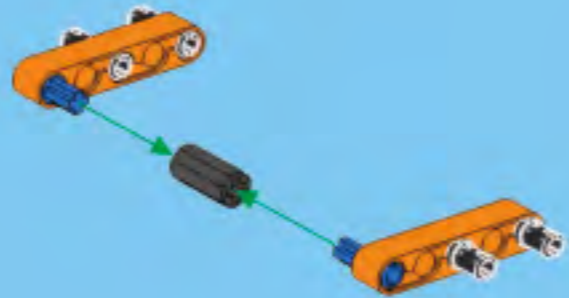


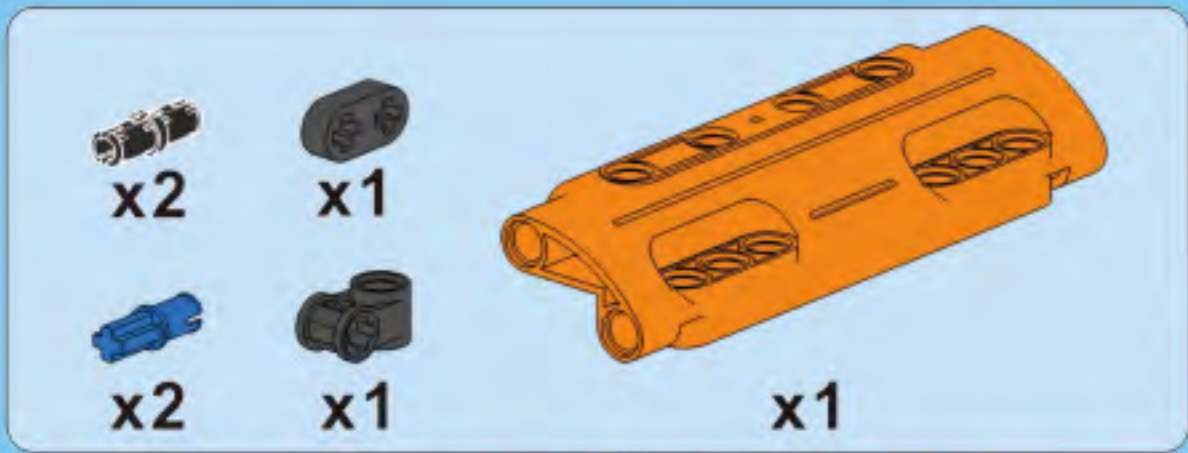


# A33

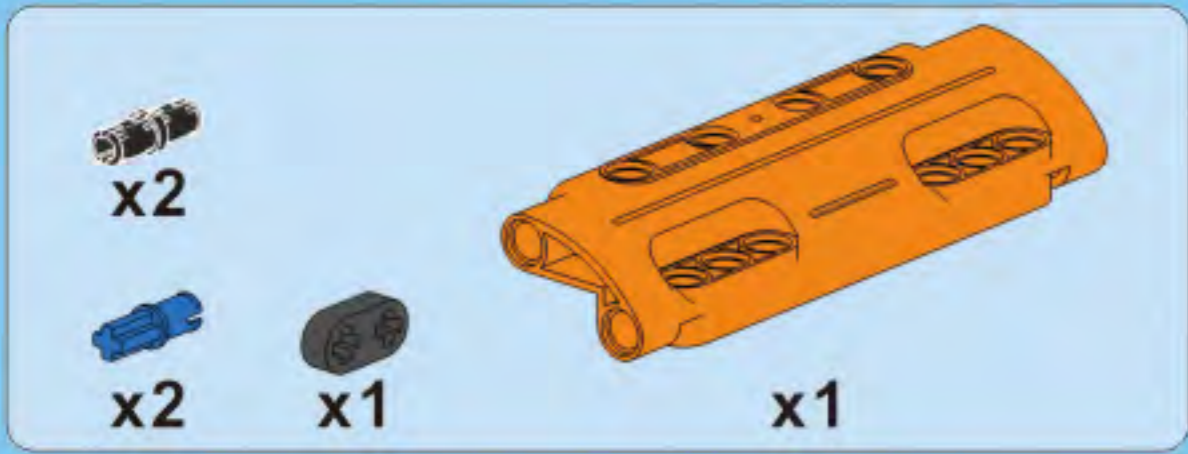
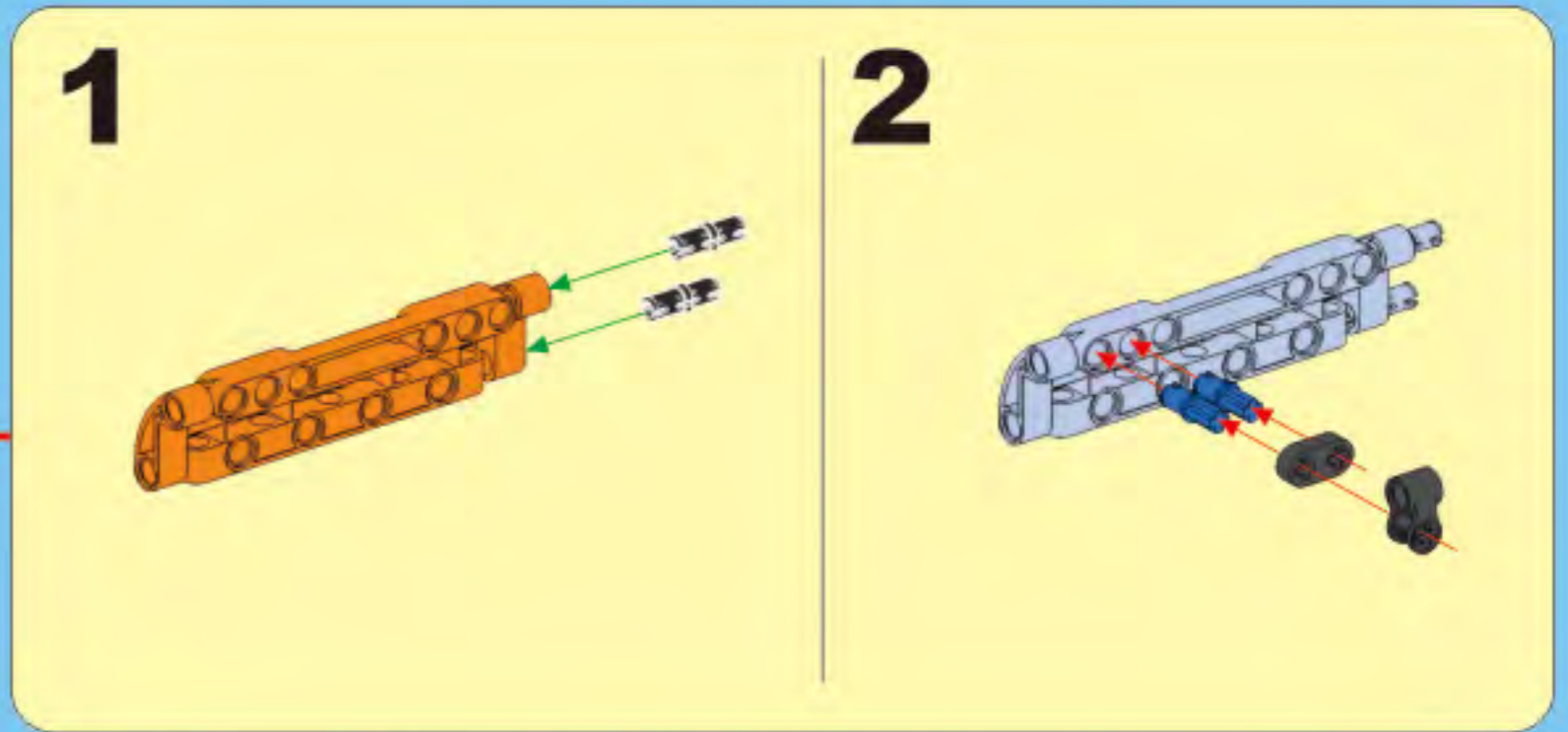
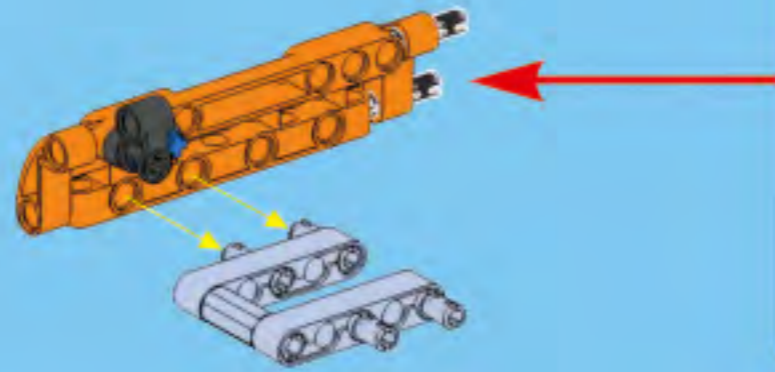


# A34

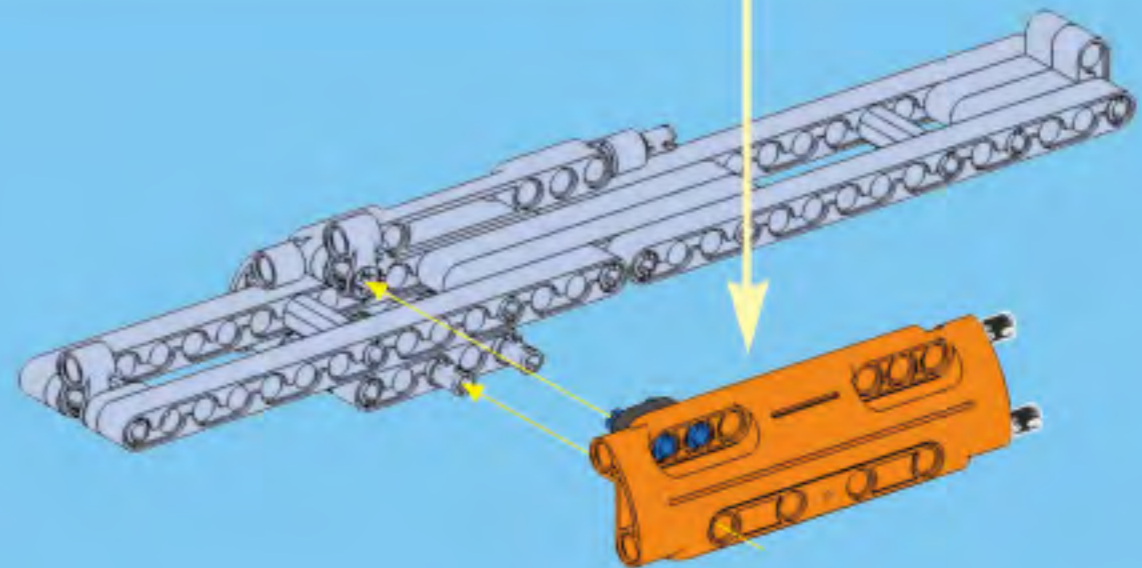
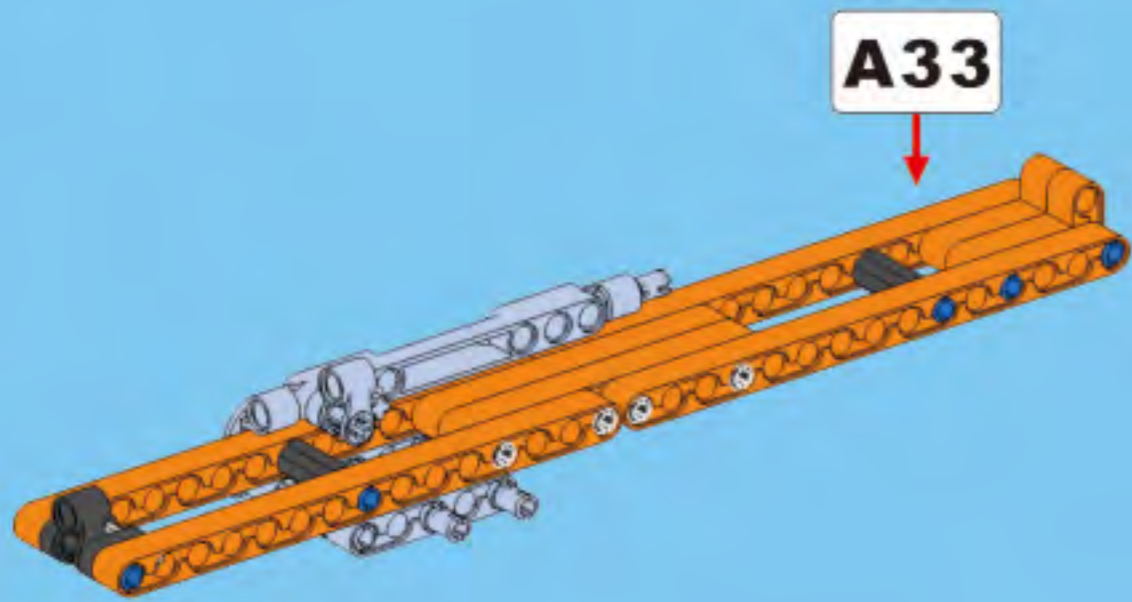
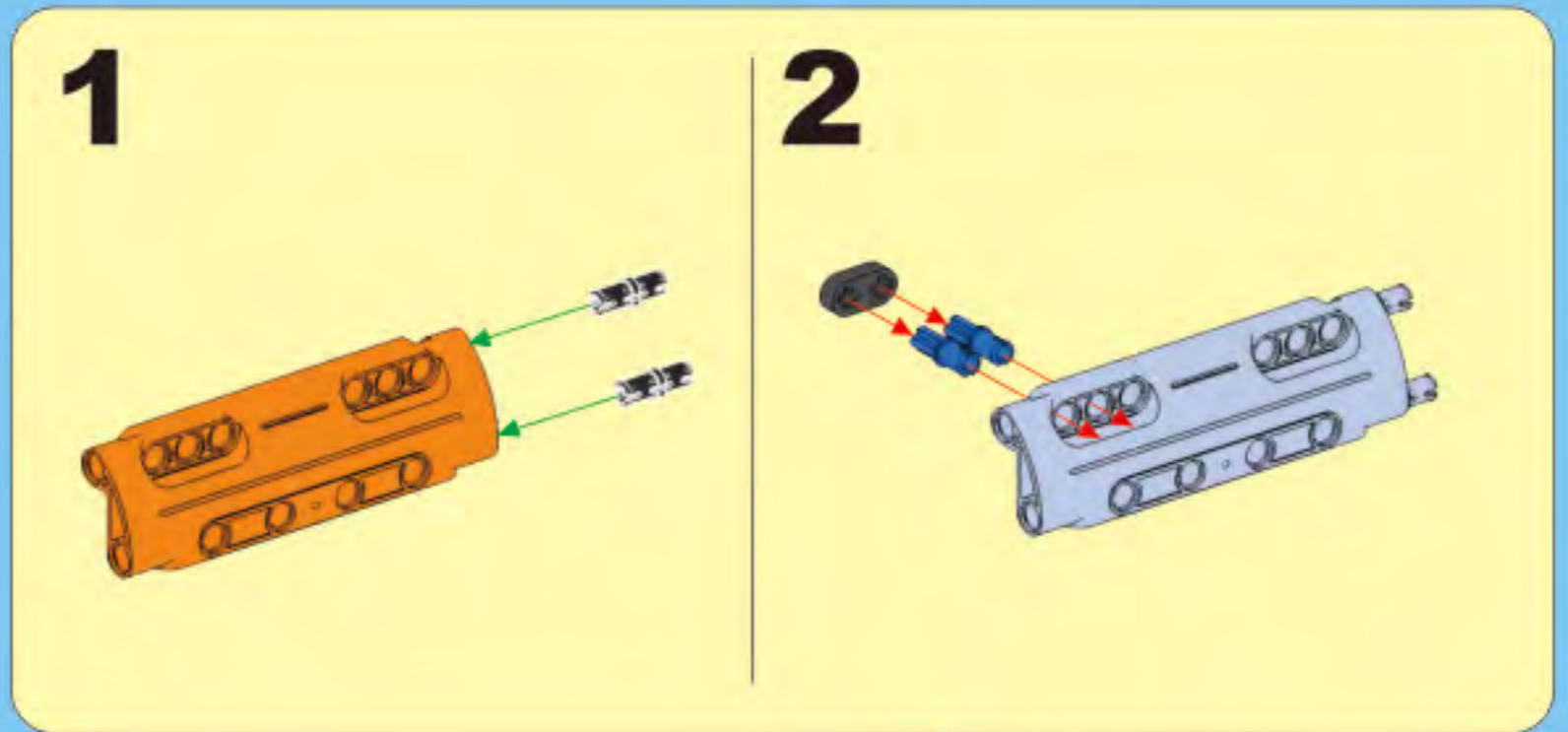




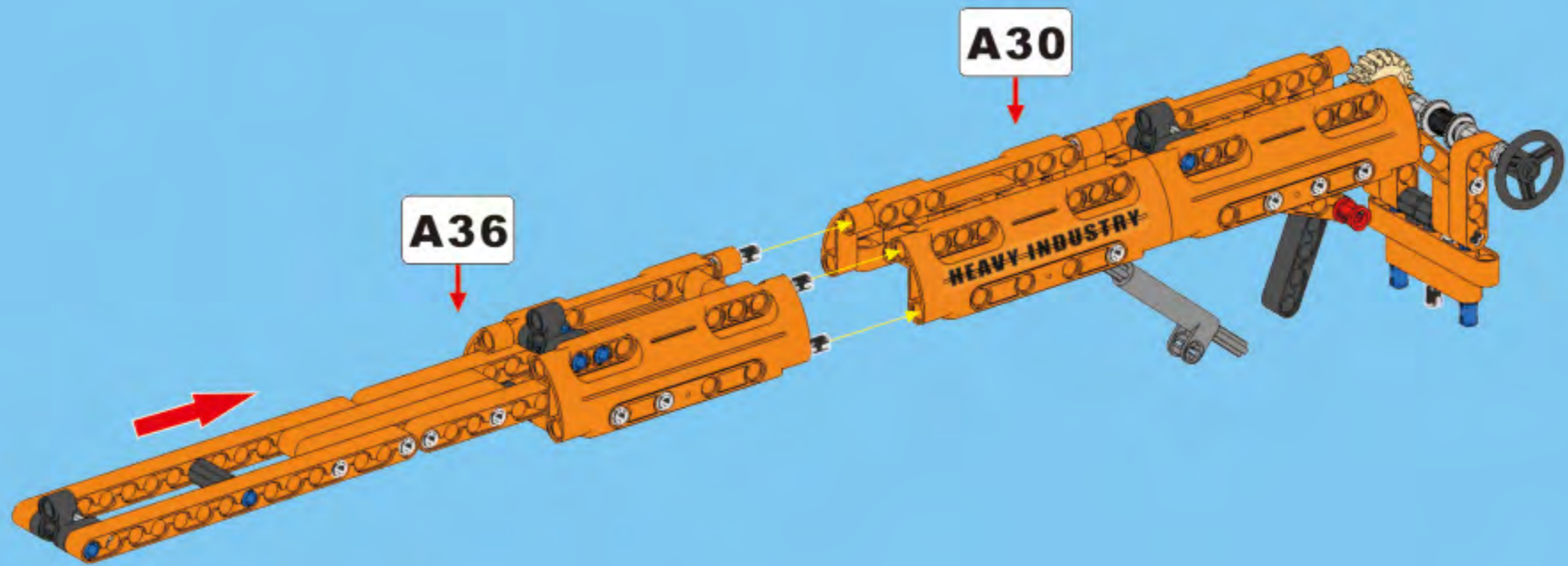
# A35



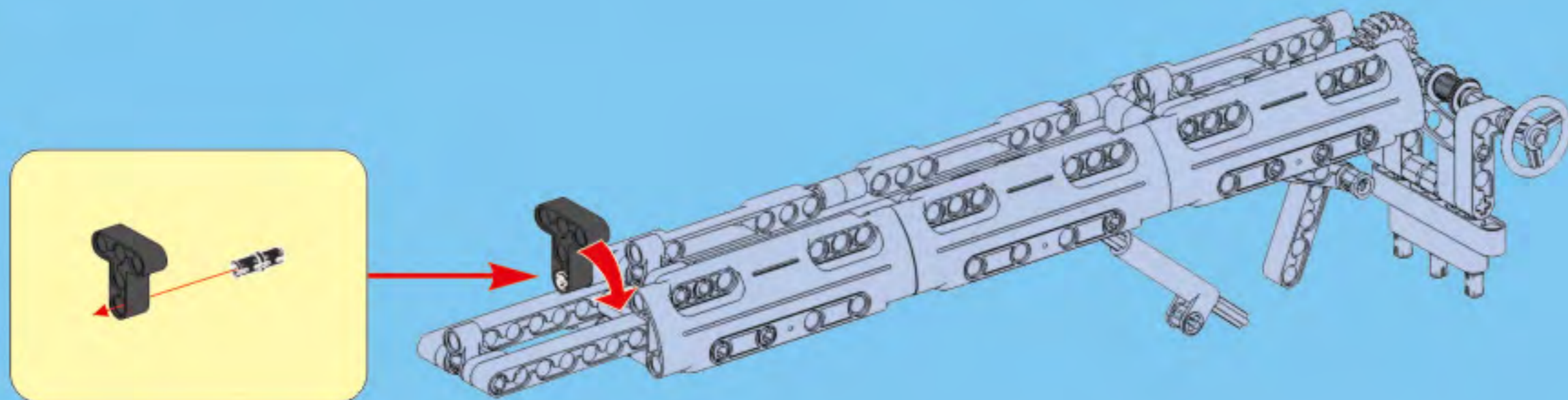
# A36

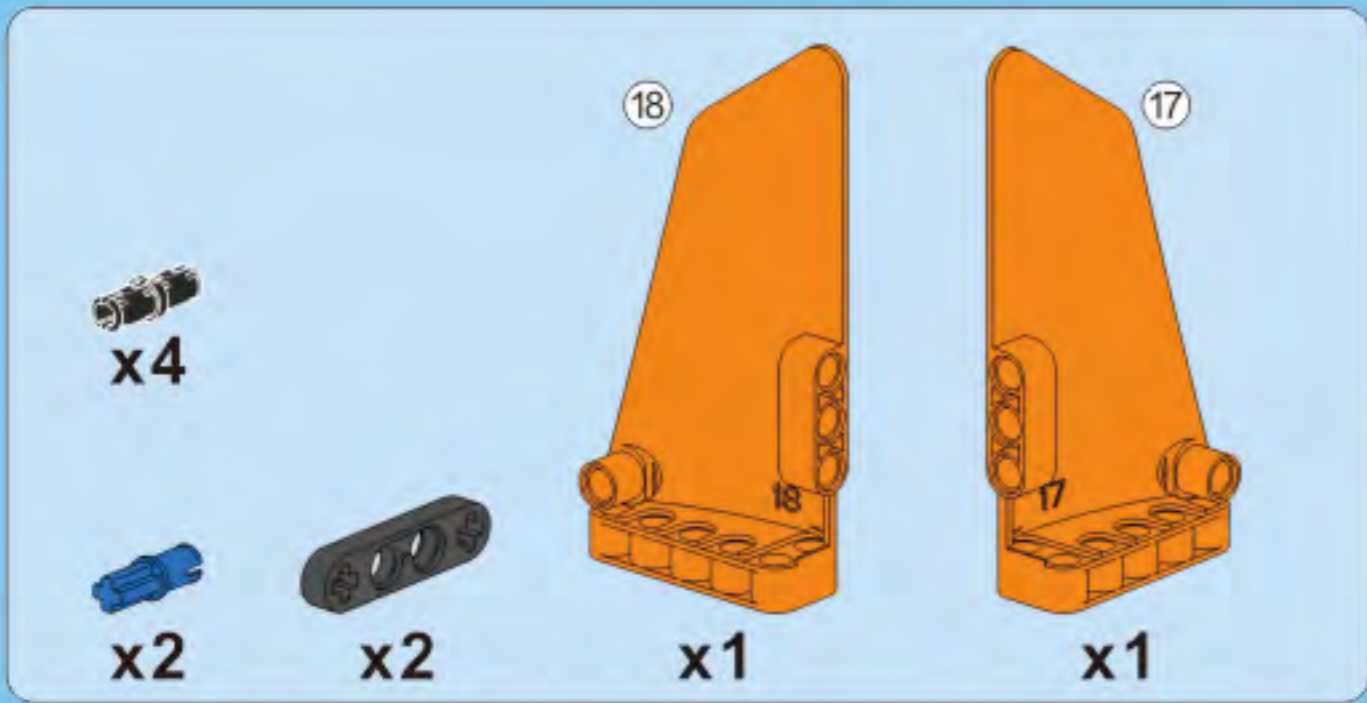


# A37

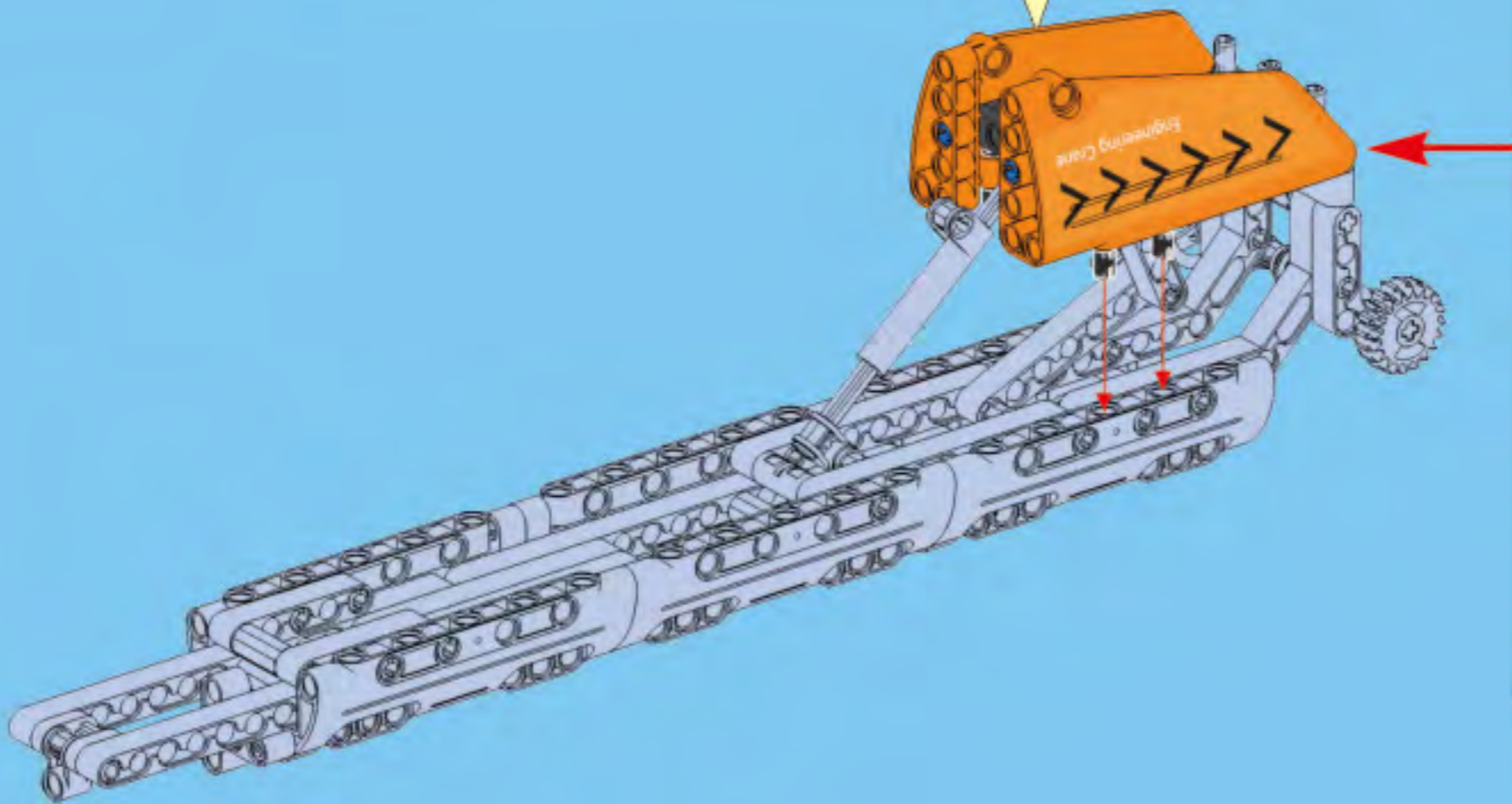
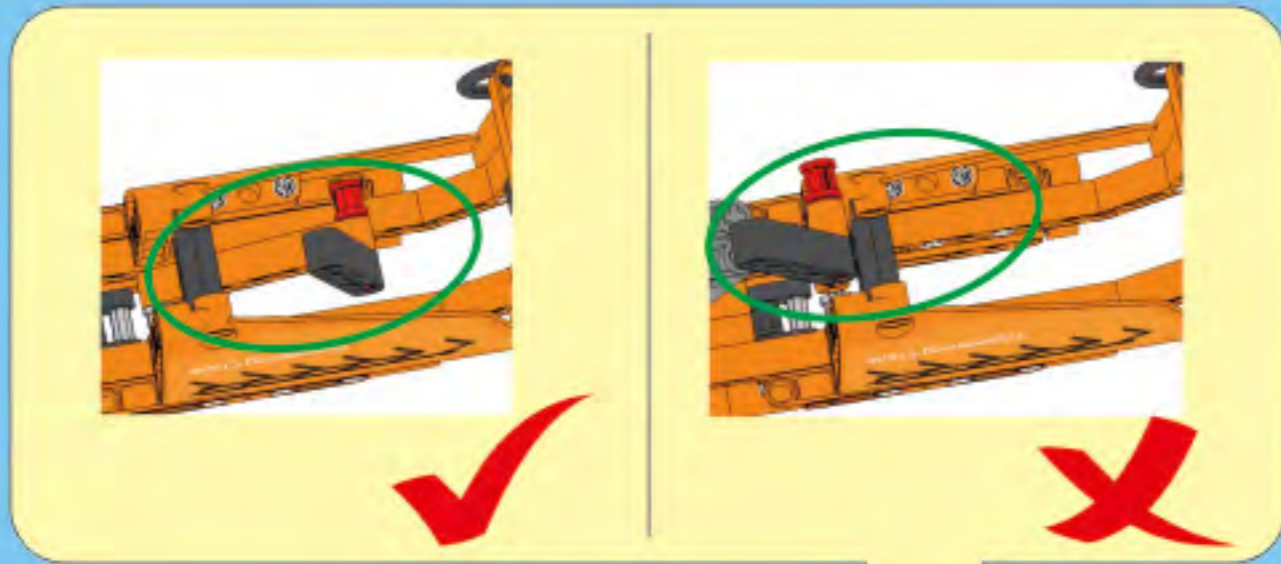


# A38





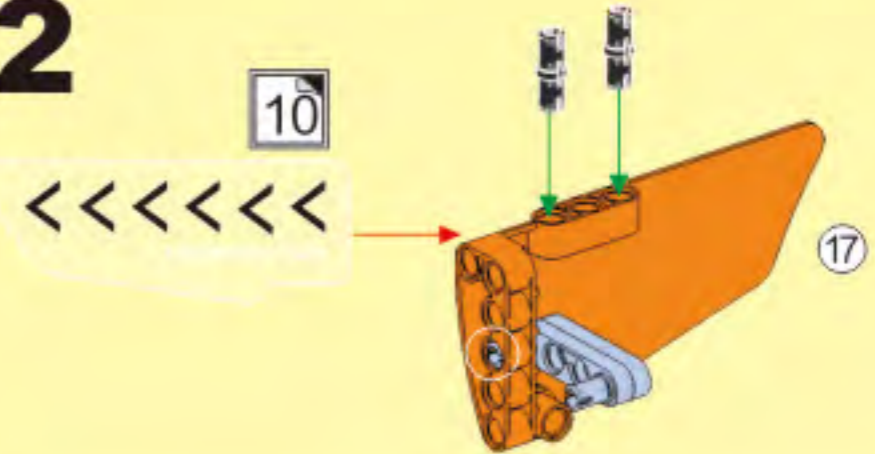
# A39



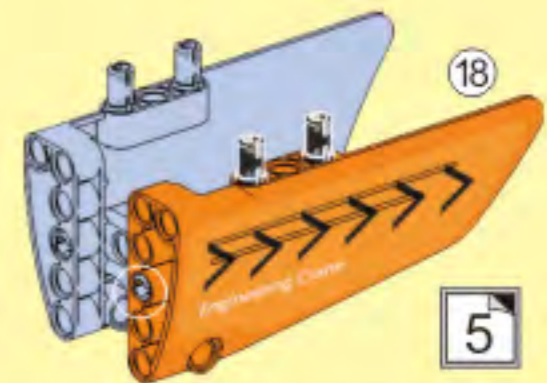
**1**

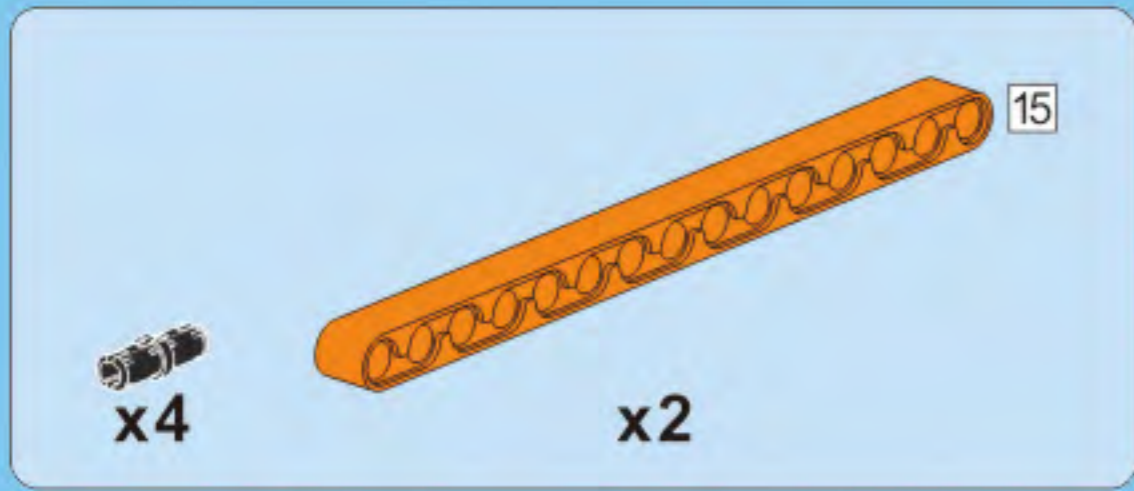


**2**

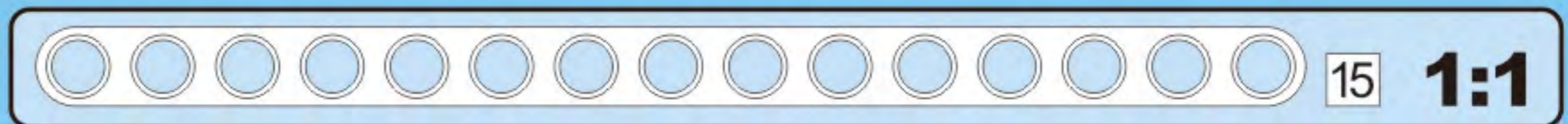
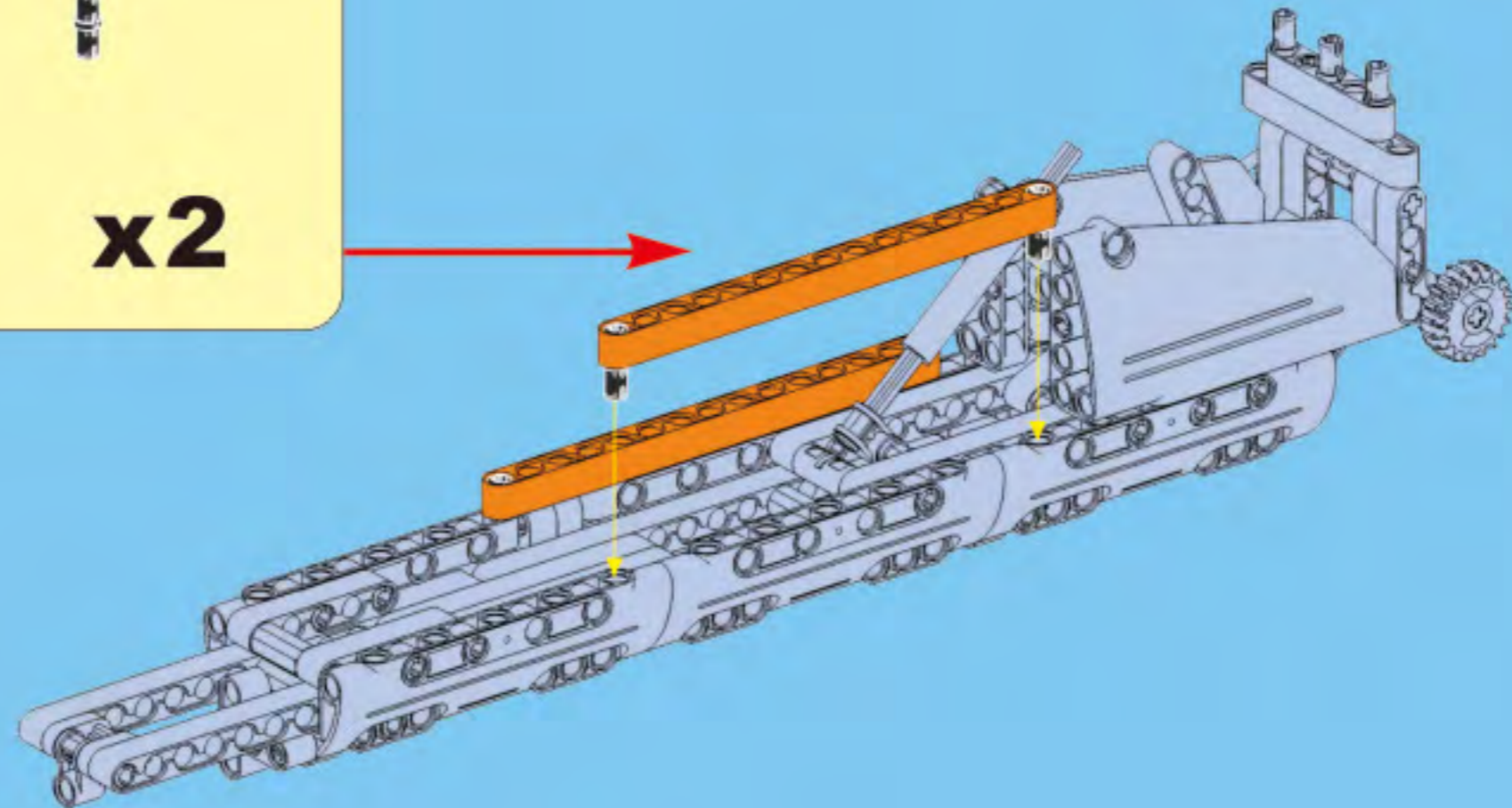
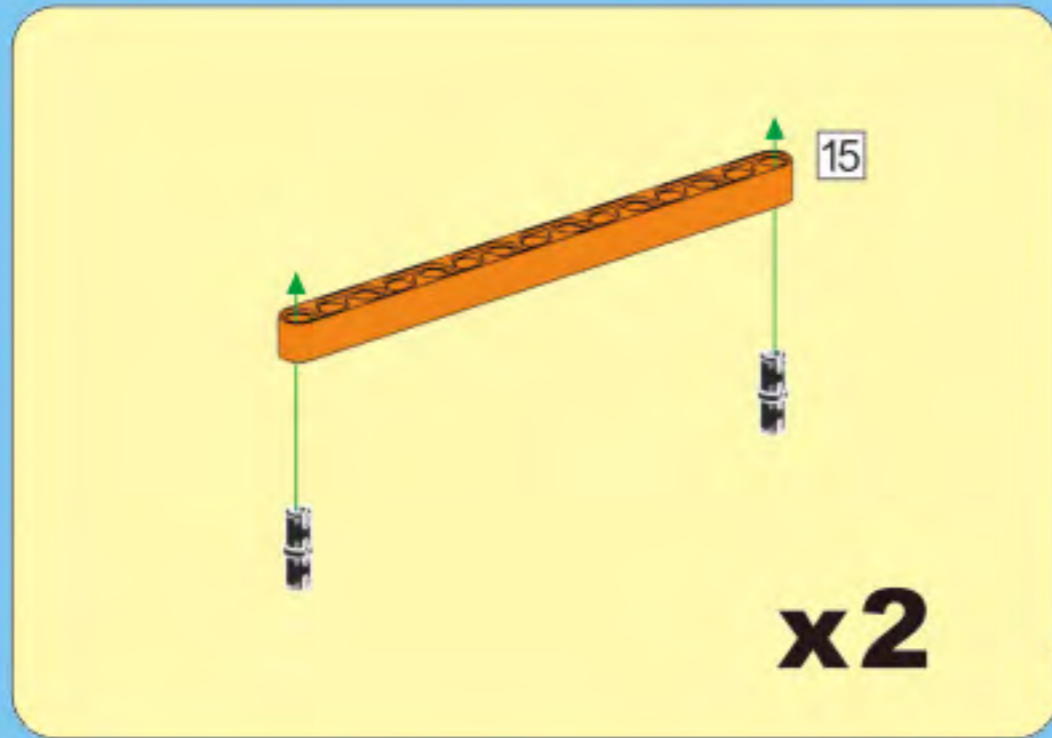


**3**

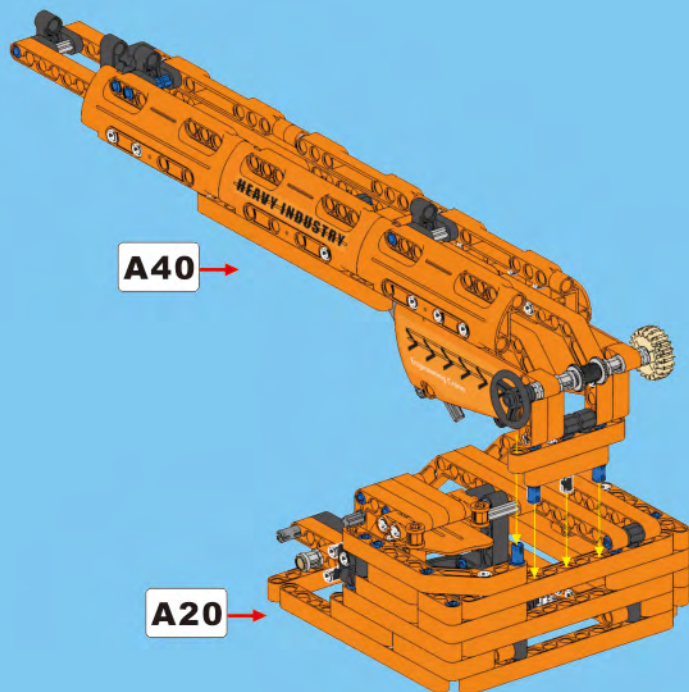




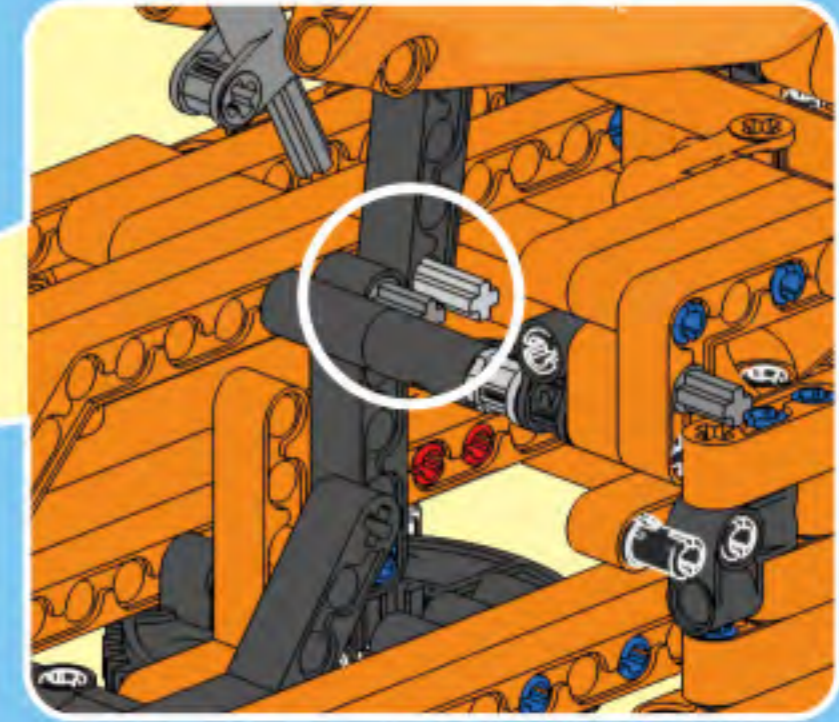
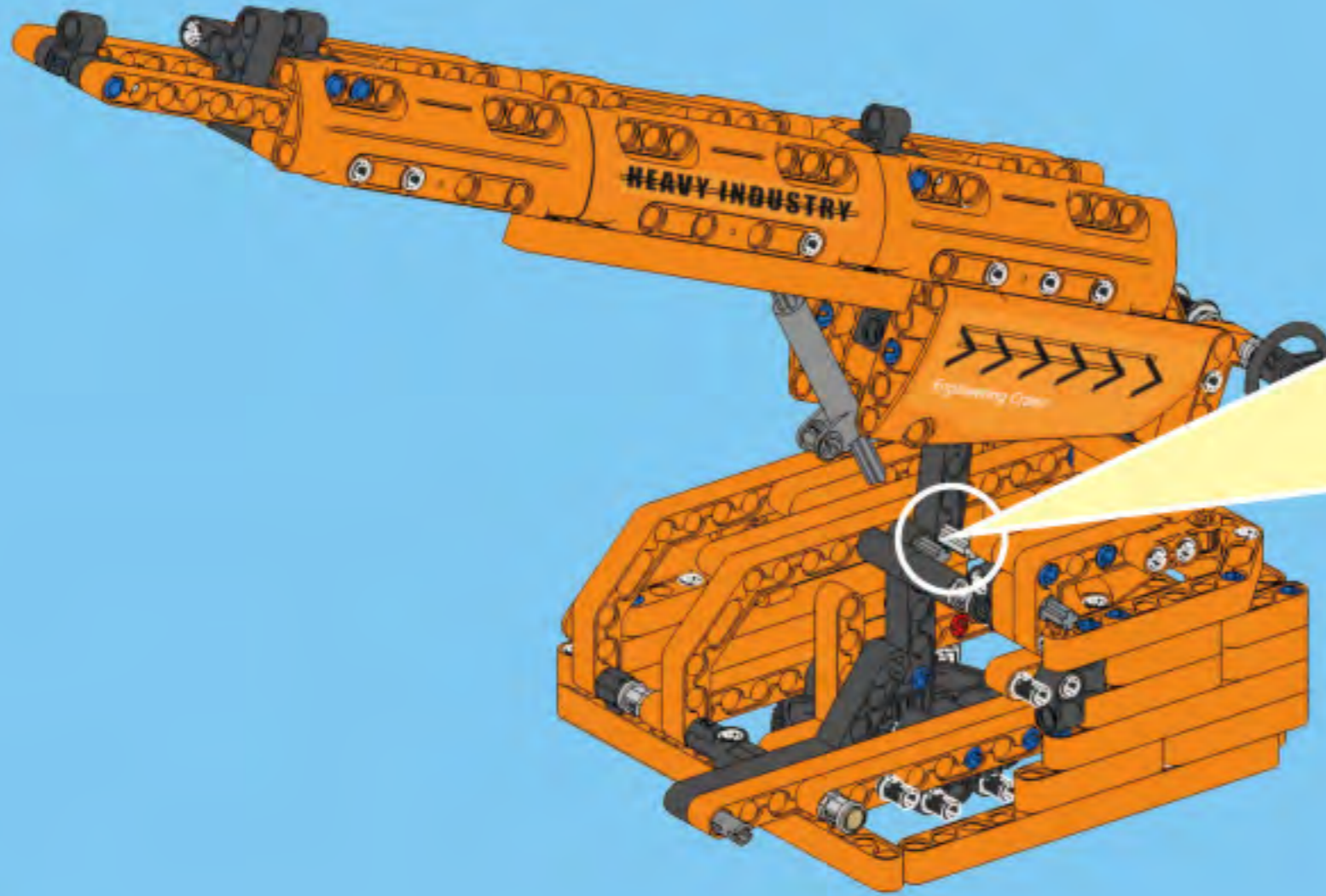
# A40



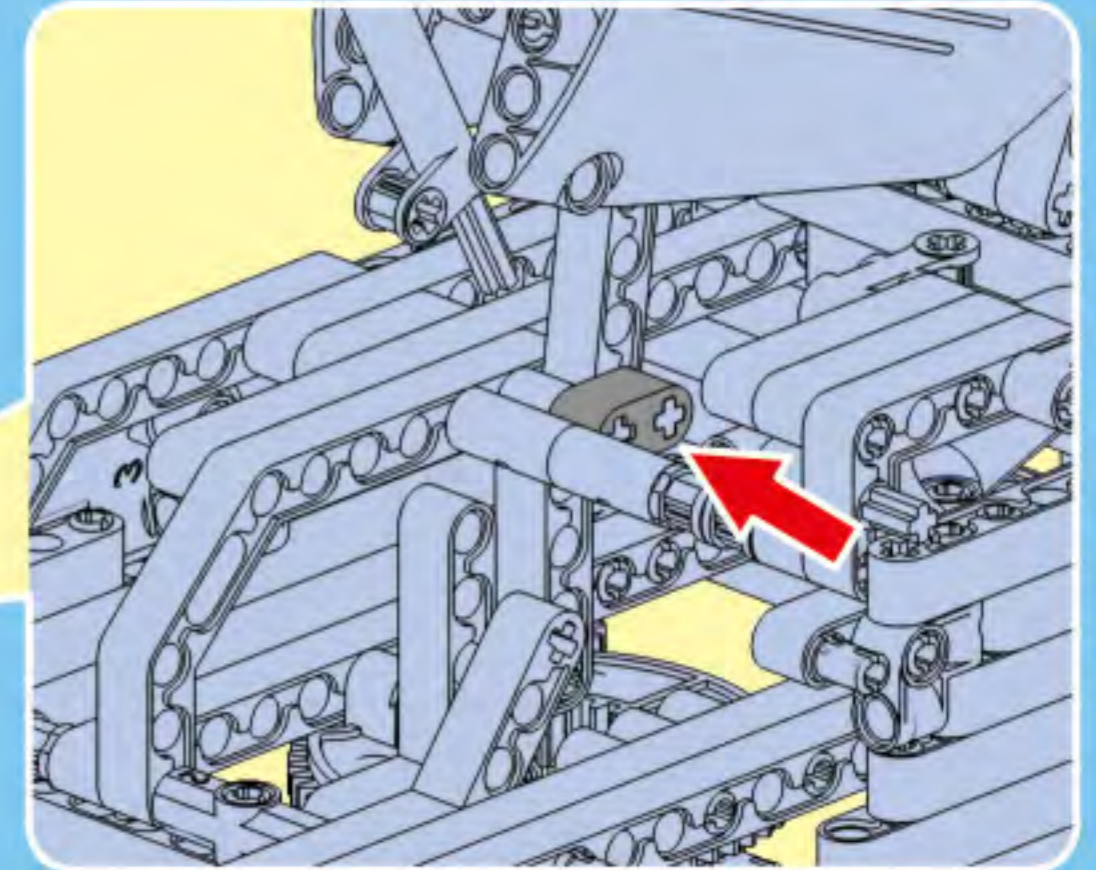
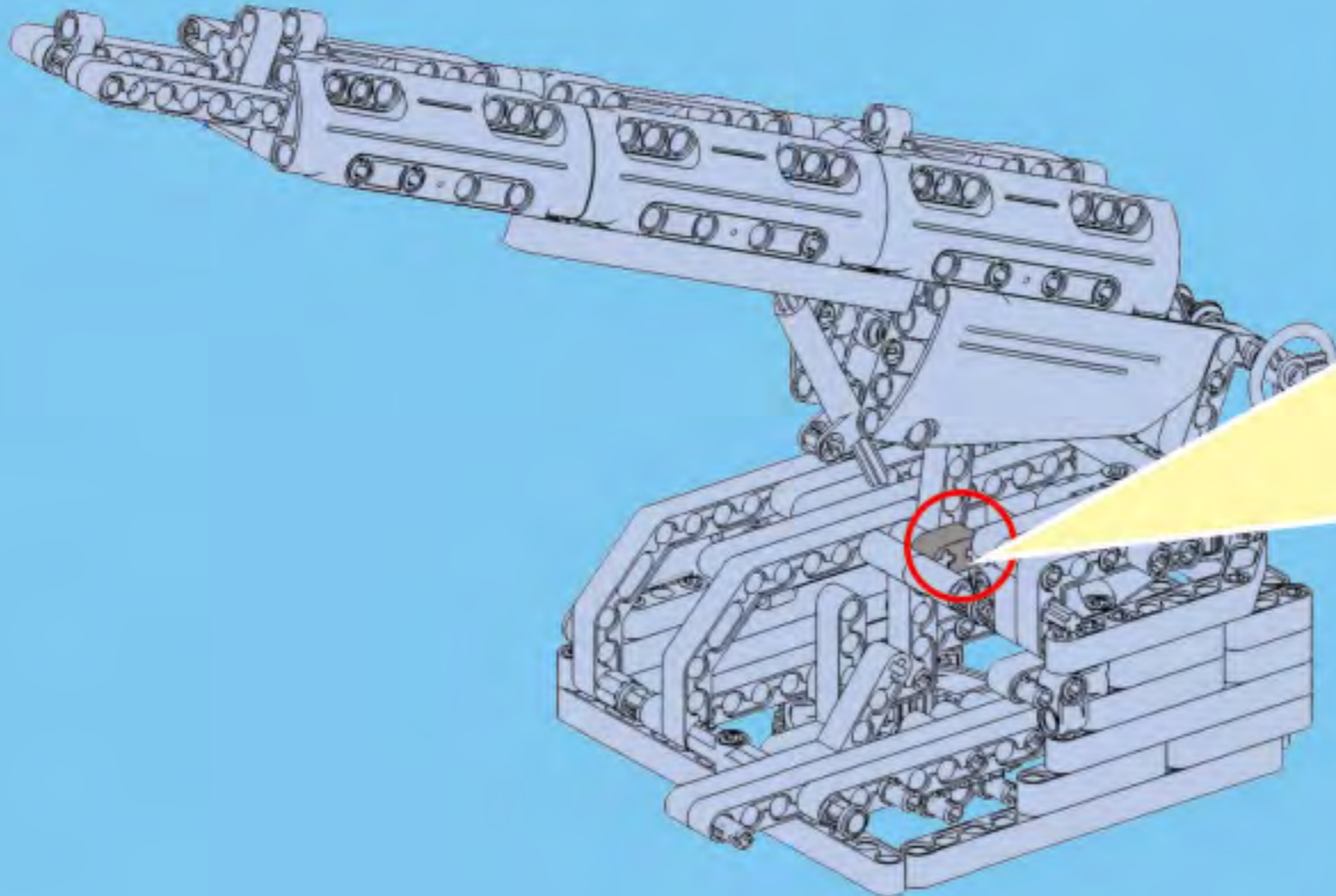
# A41



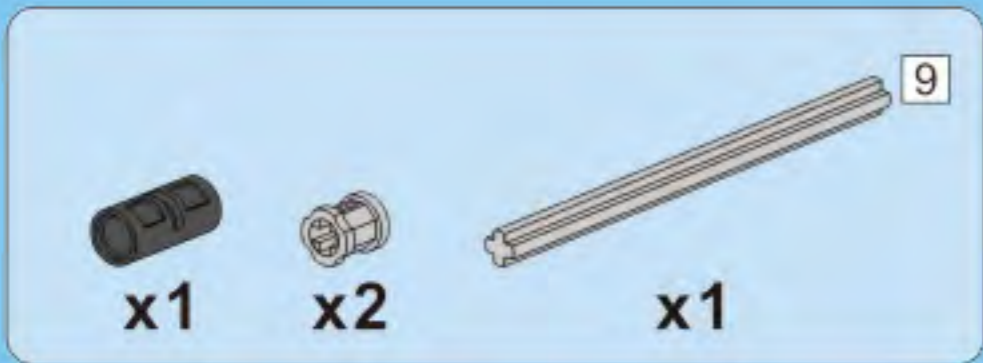
# A42



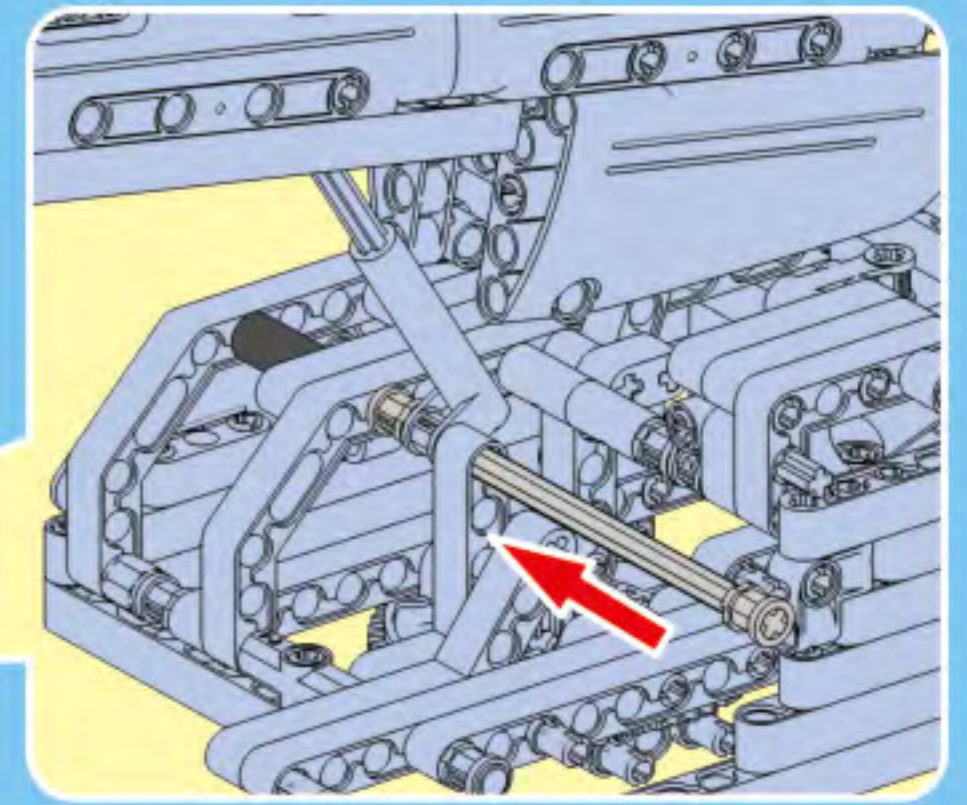
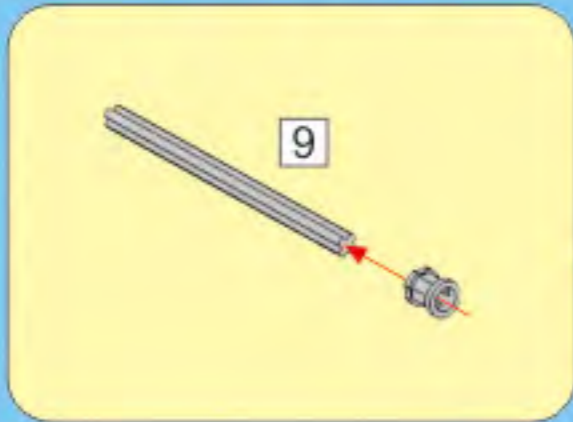
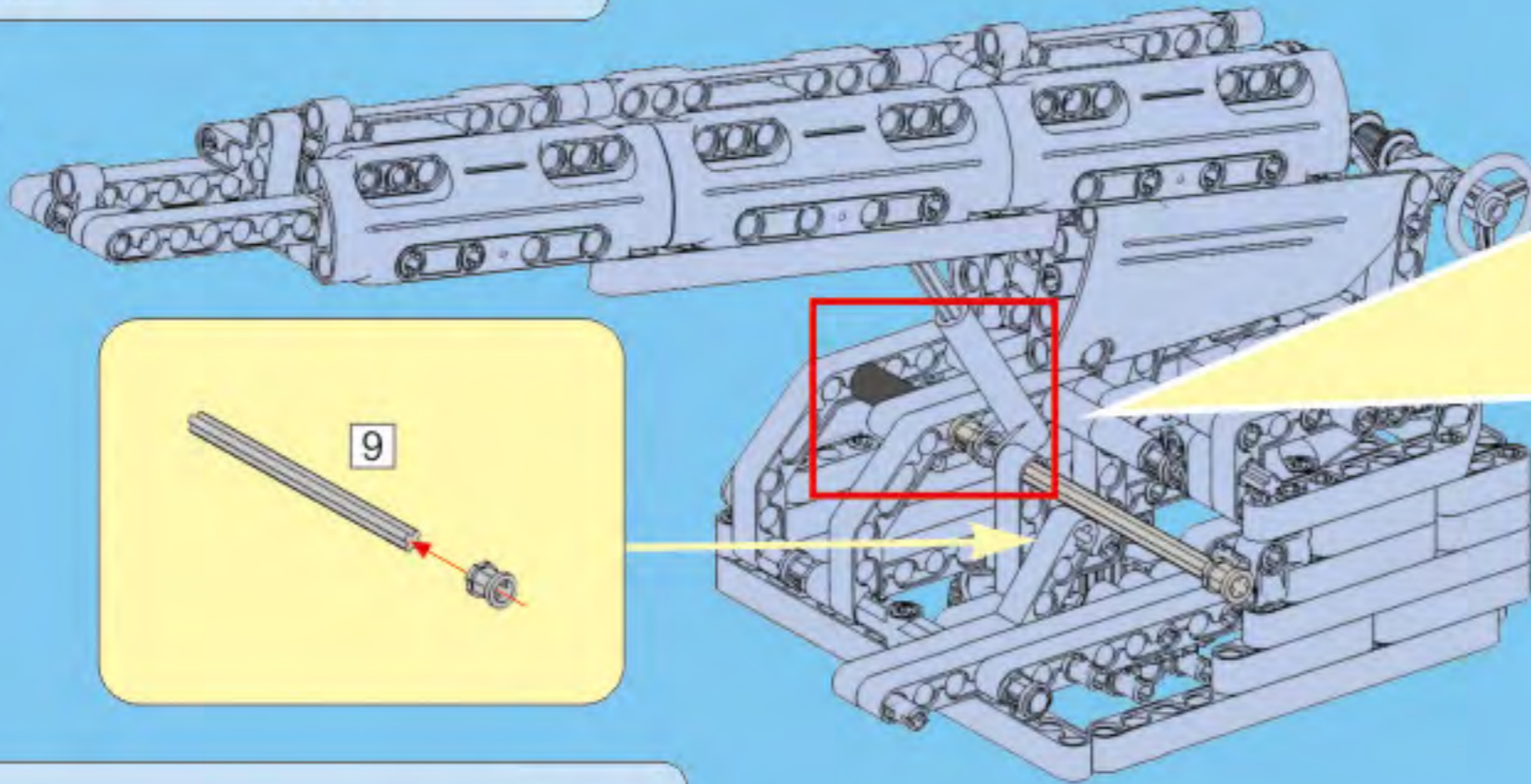
# A43



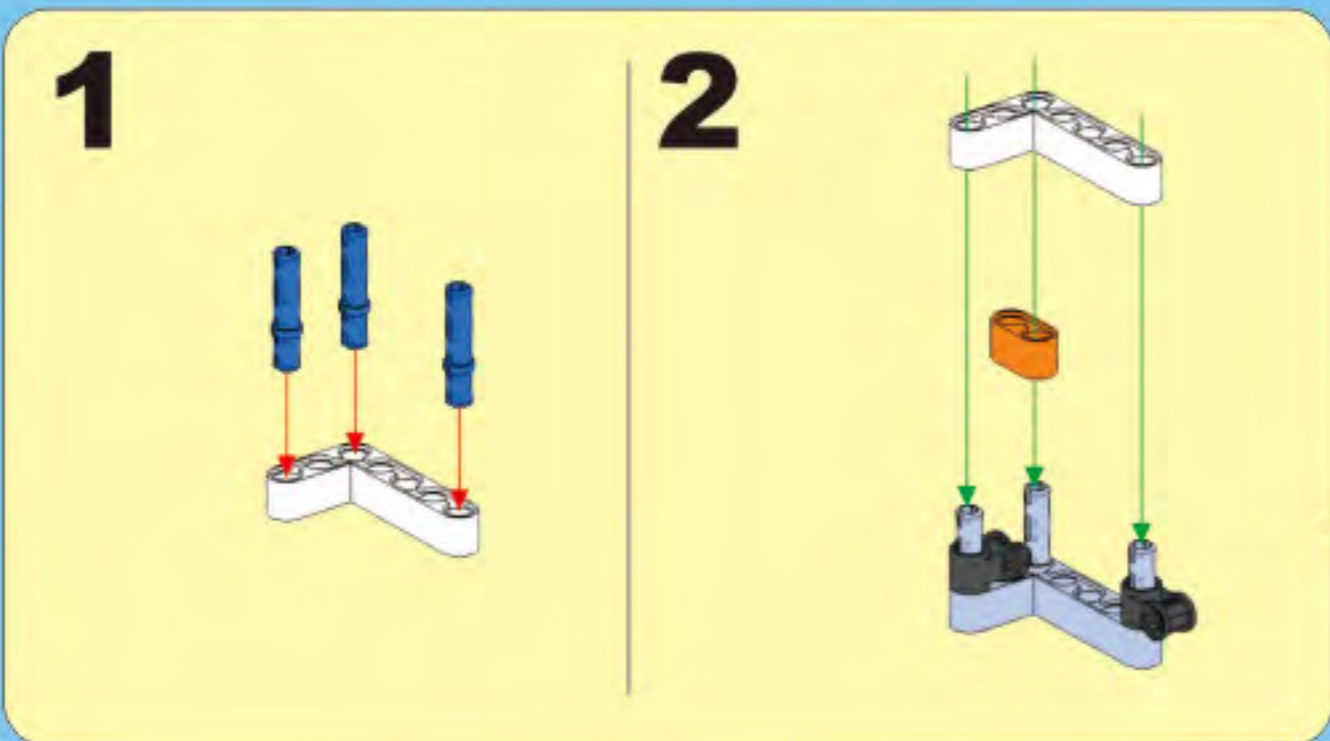
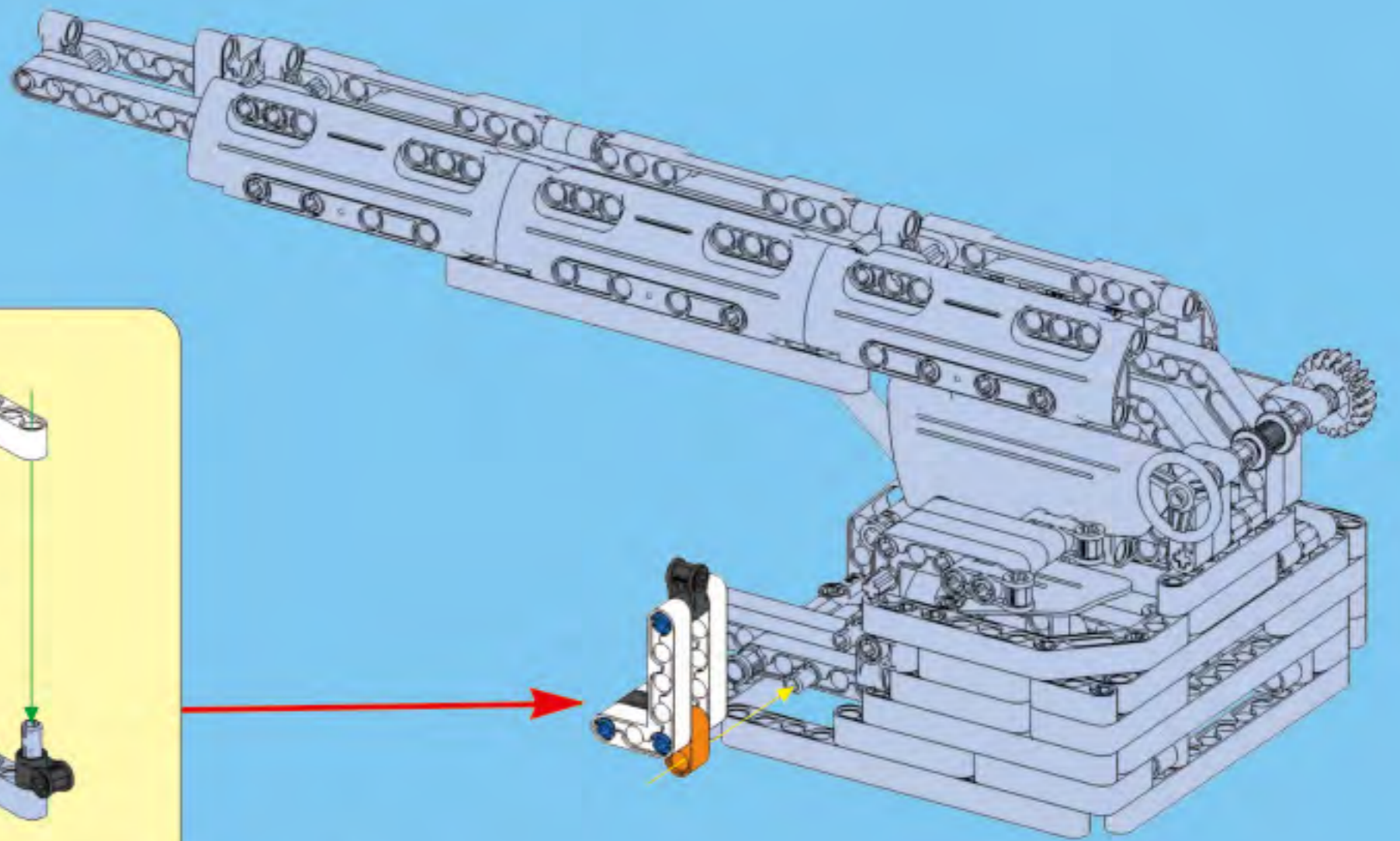


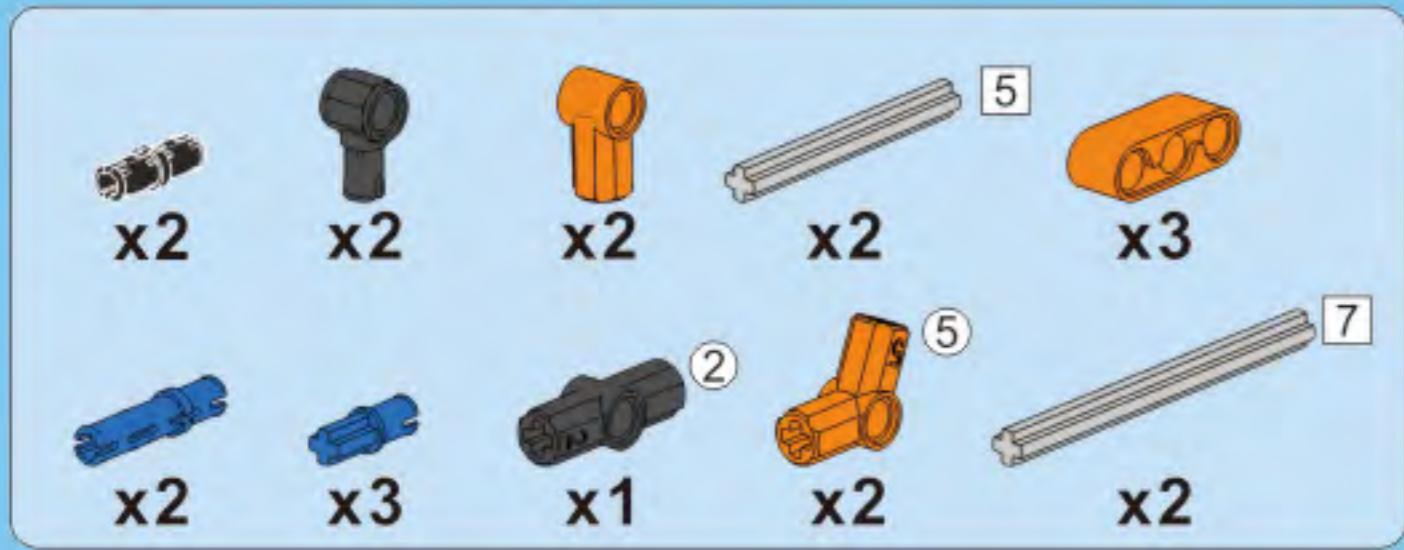


# A44

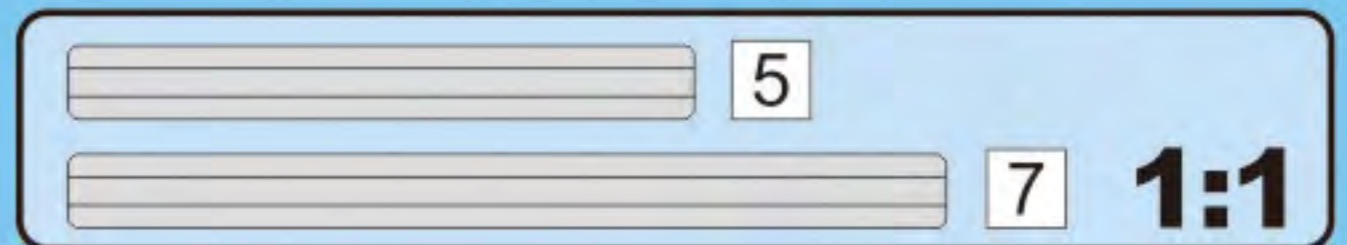
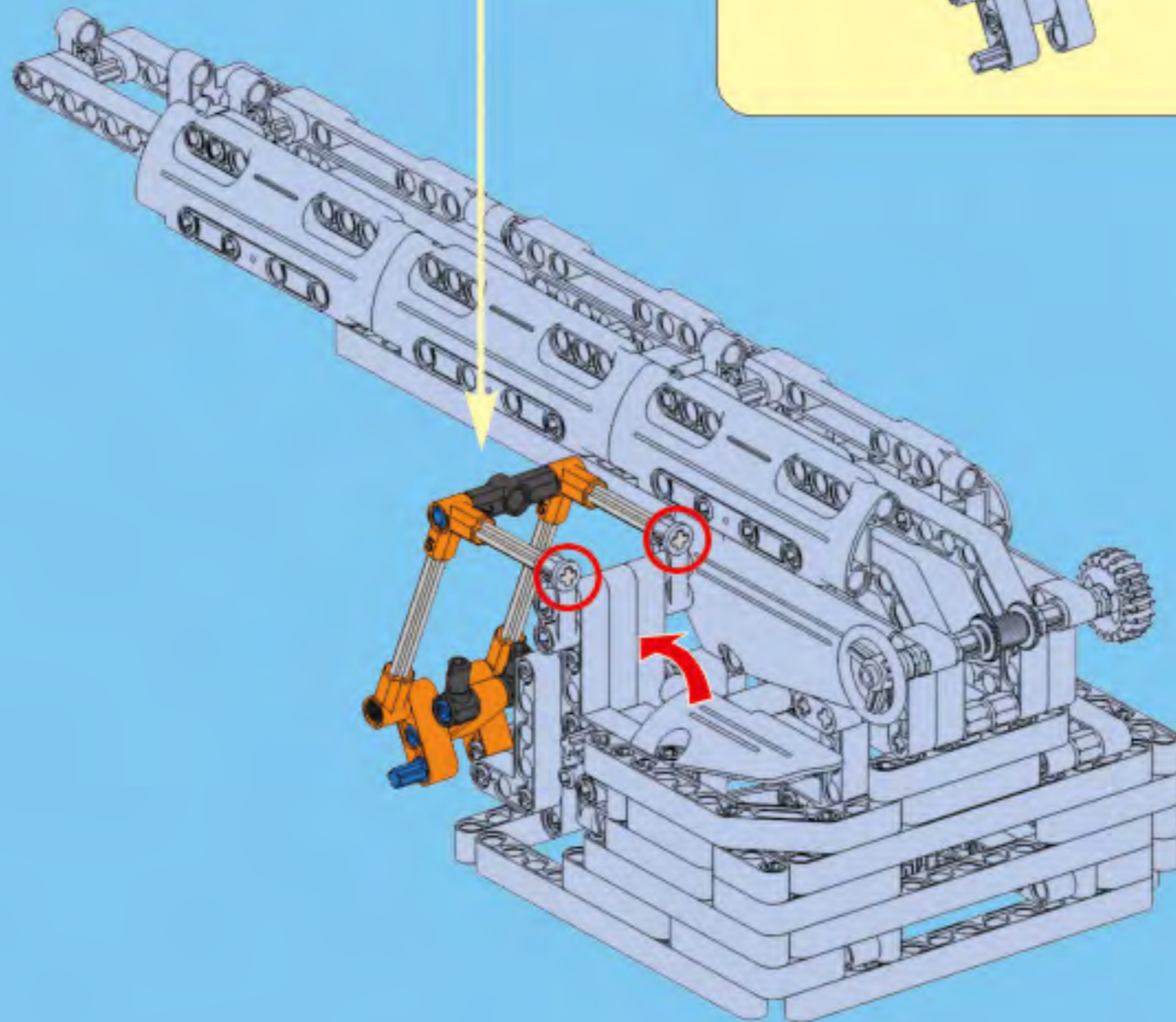
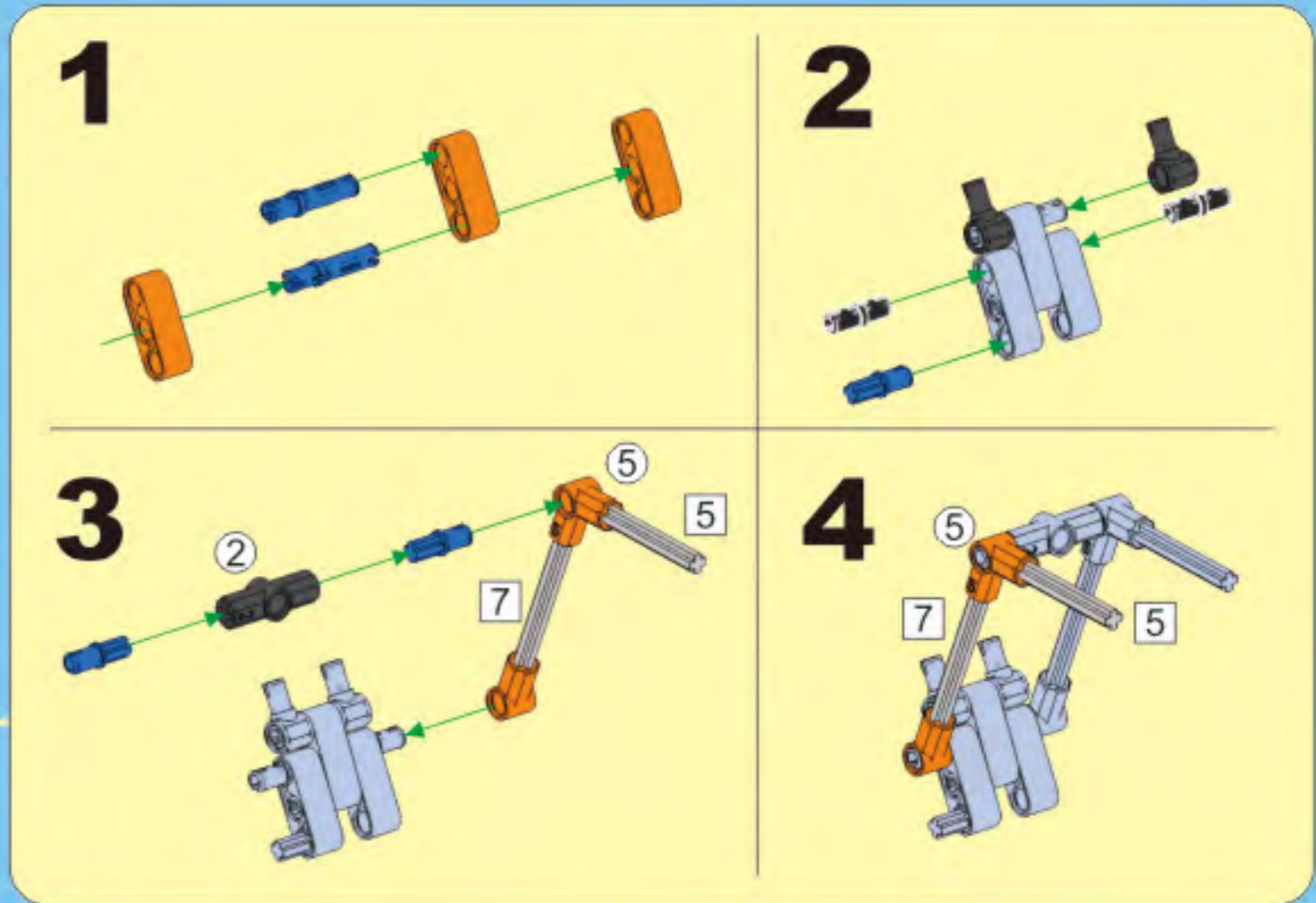


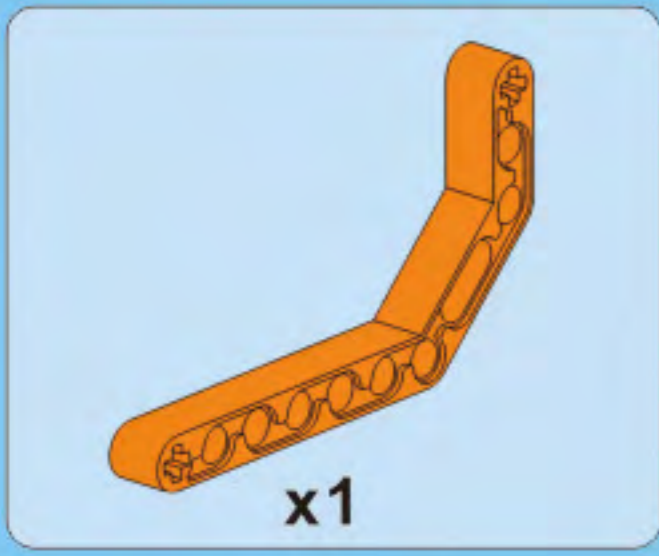
# A45



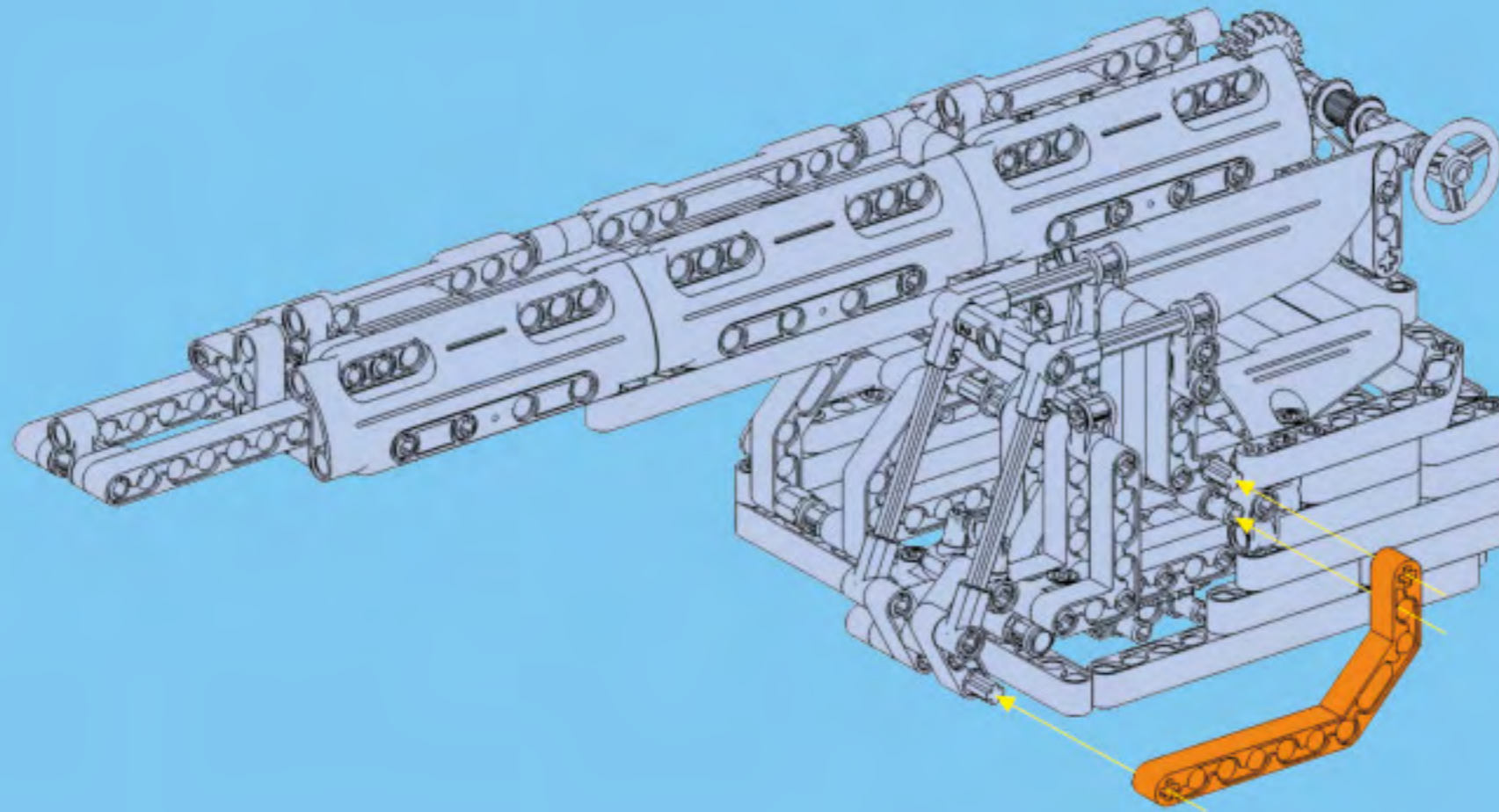


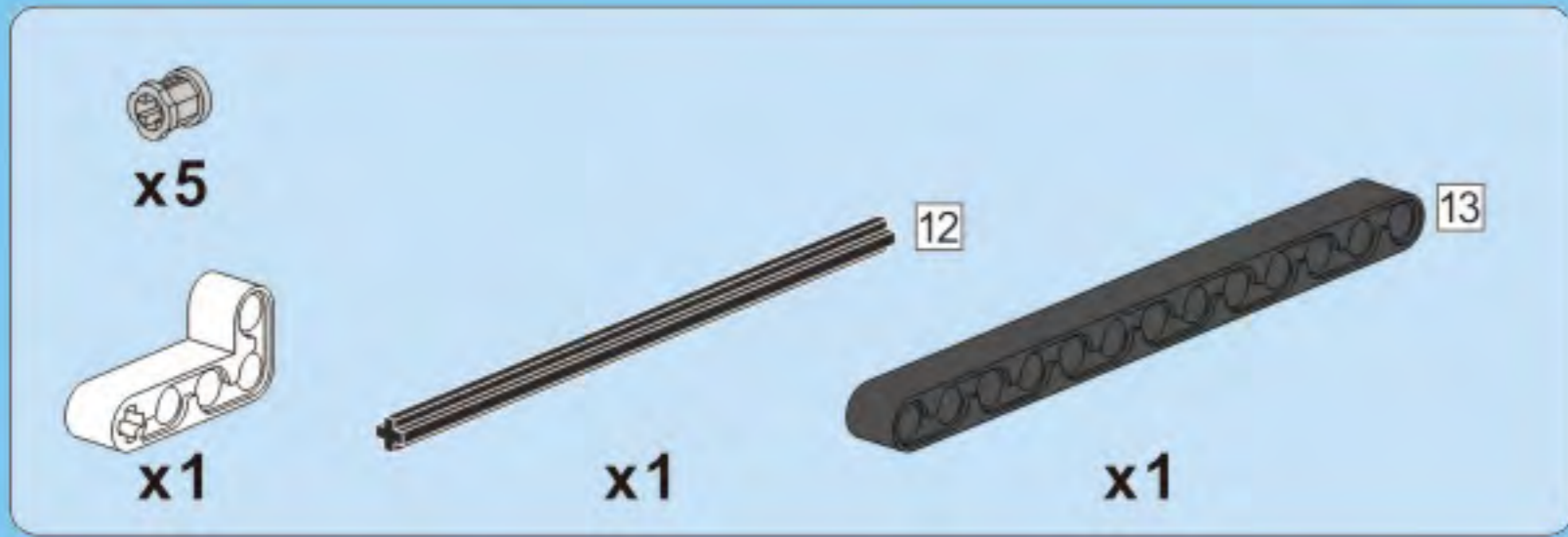
# A46



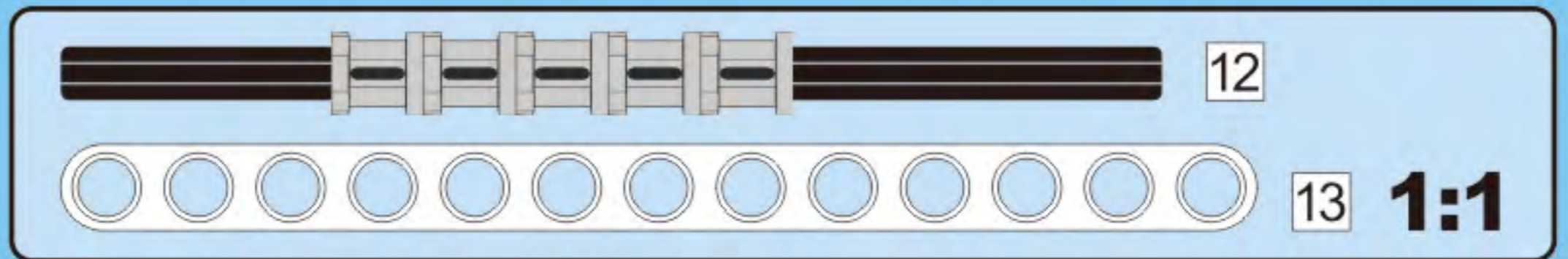
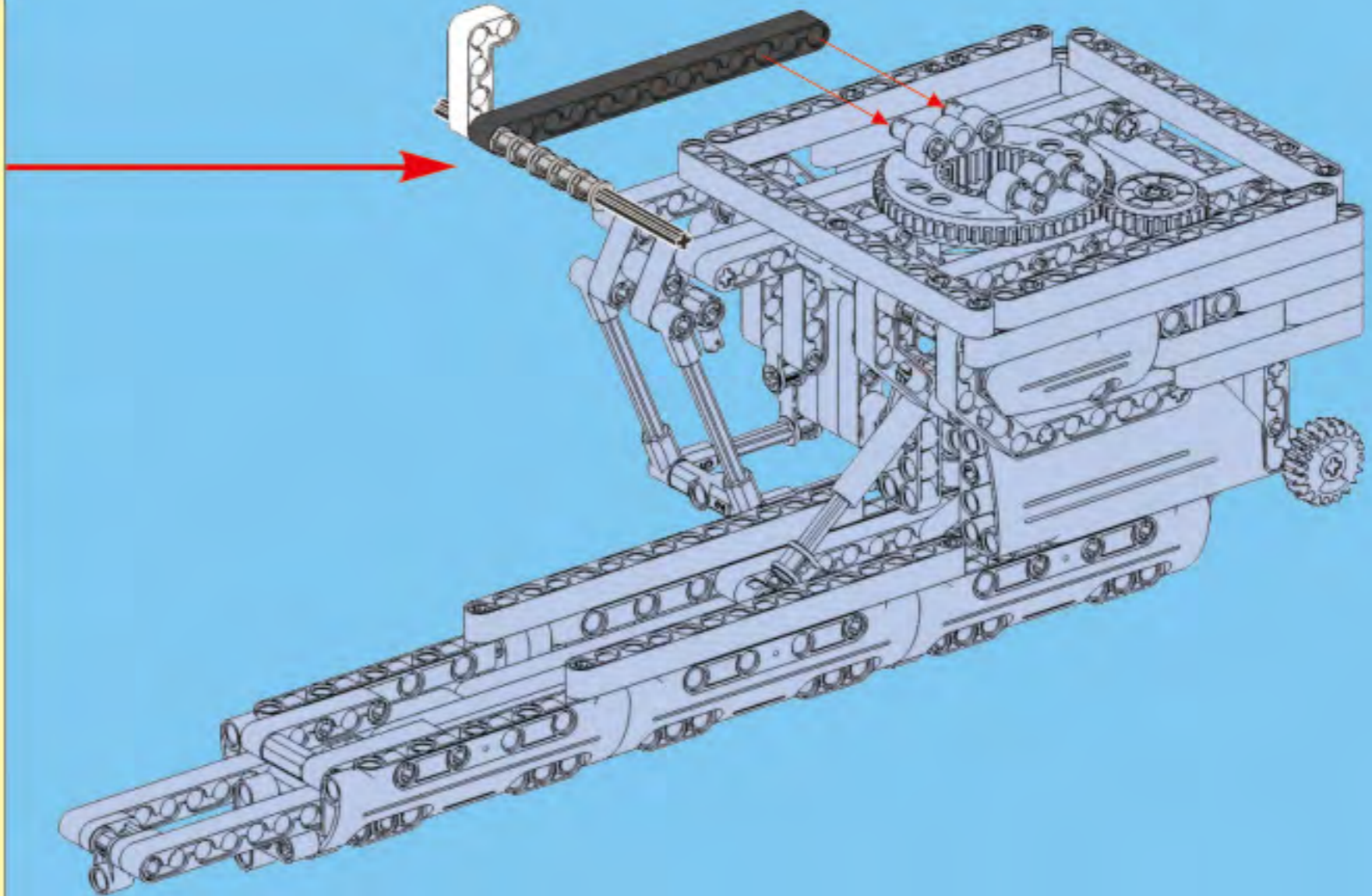
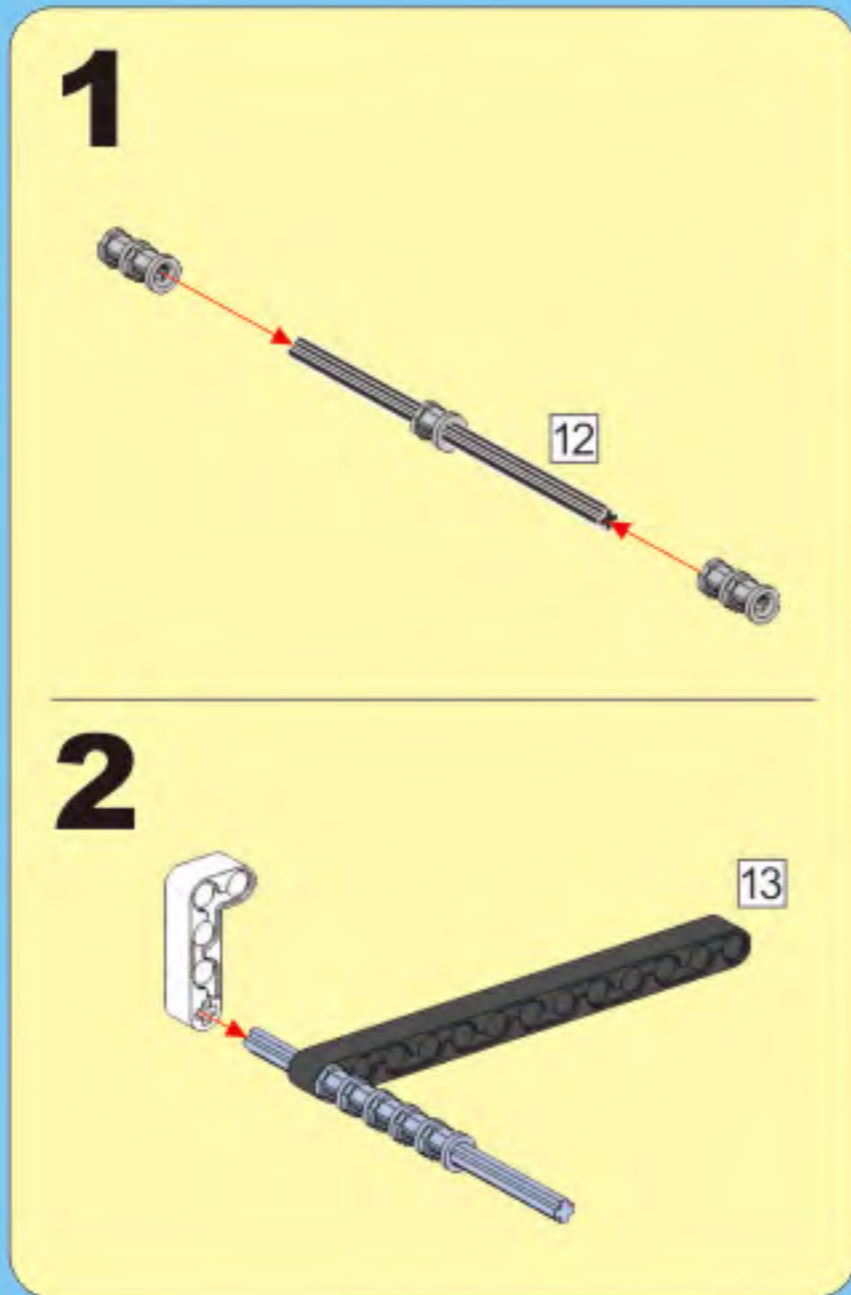


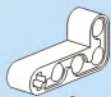
# A47





# A48





x1

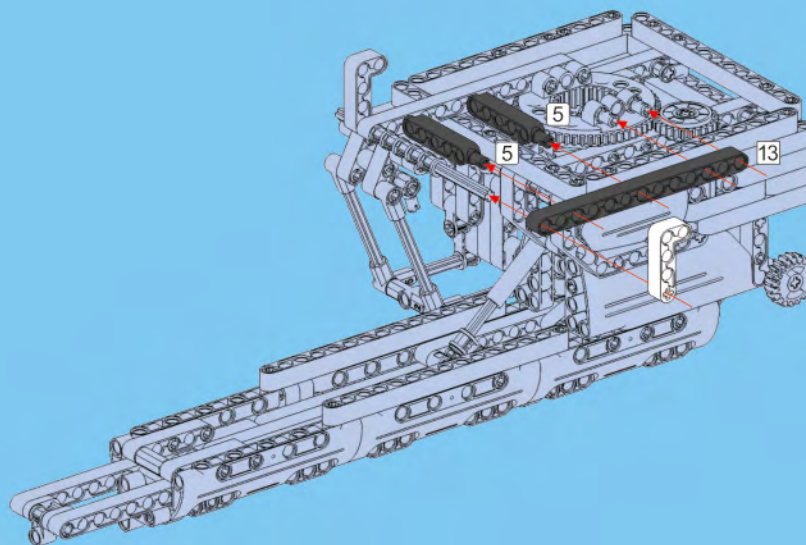


x2



x1

# A49

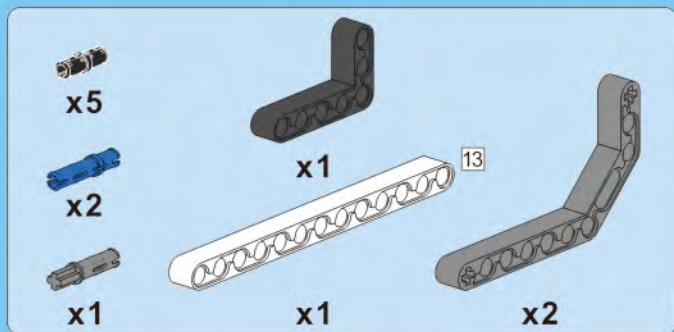


5

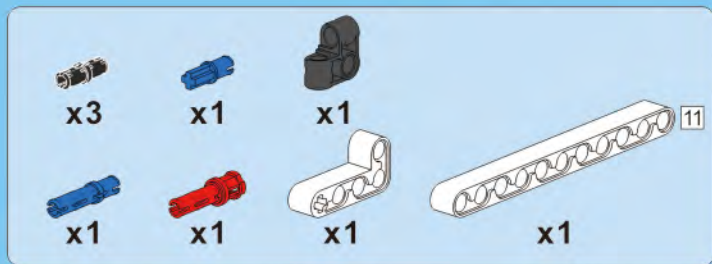
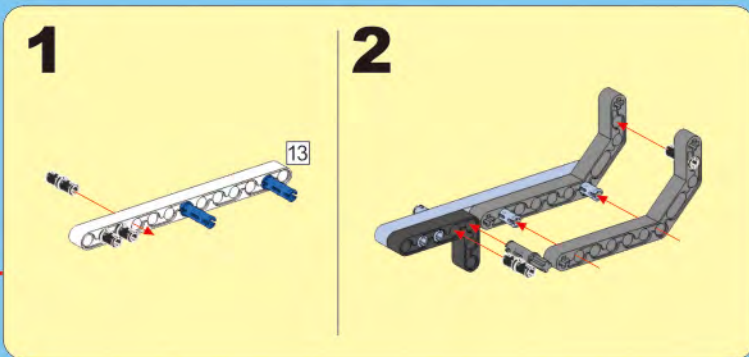
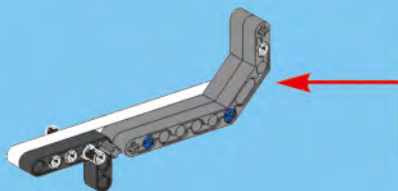


13

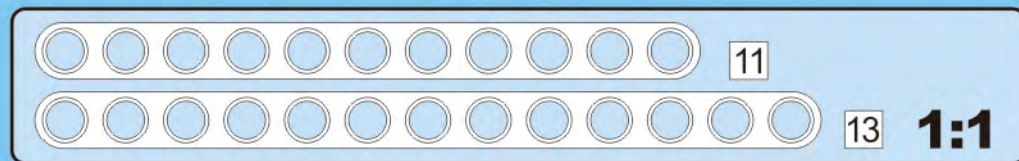
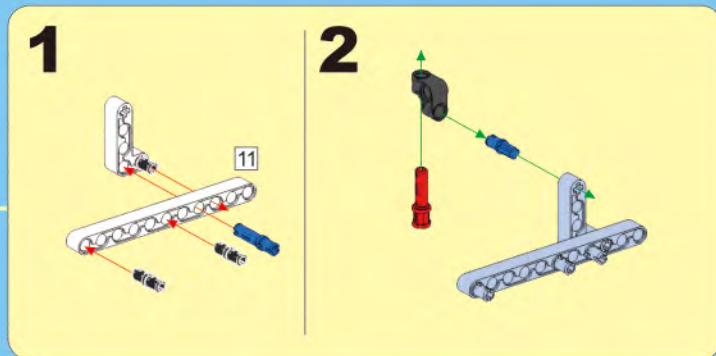
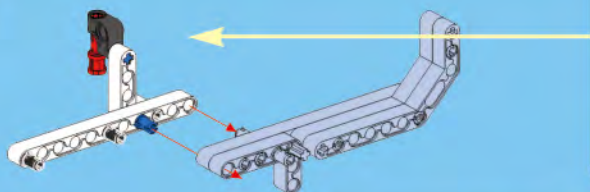
**1:1**

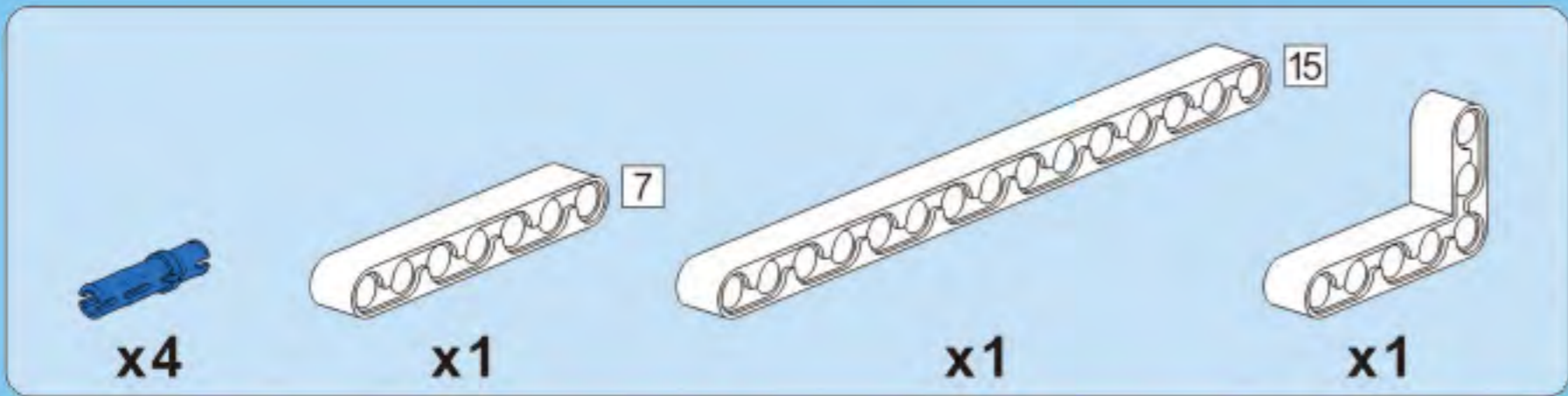


**A50**

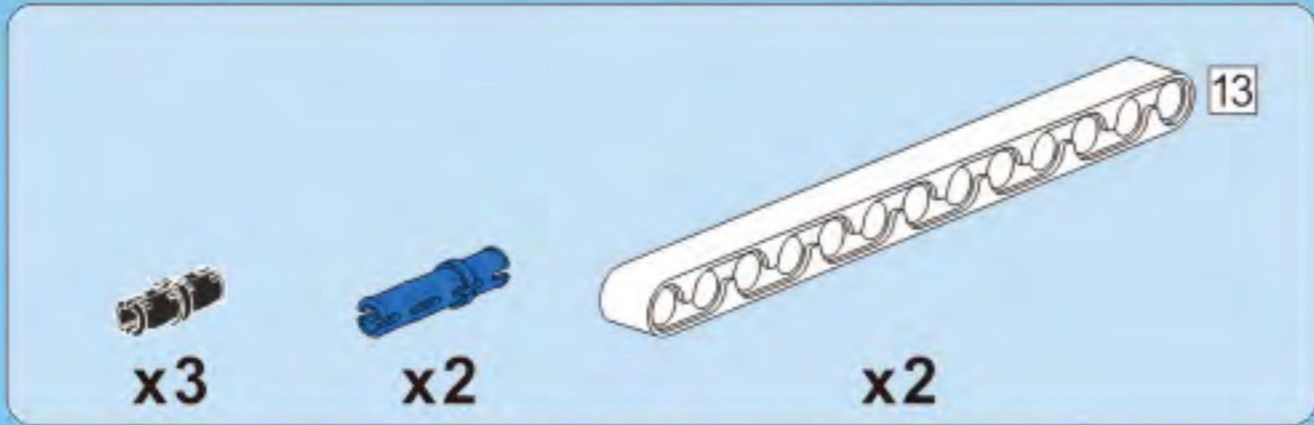
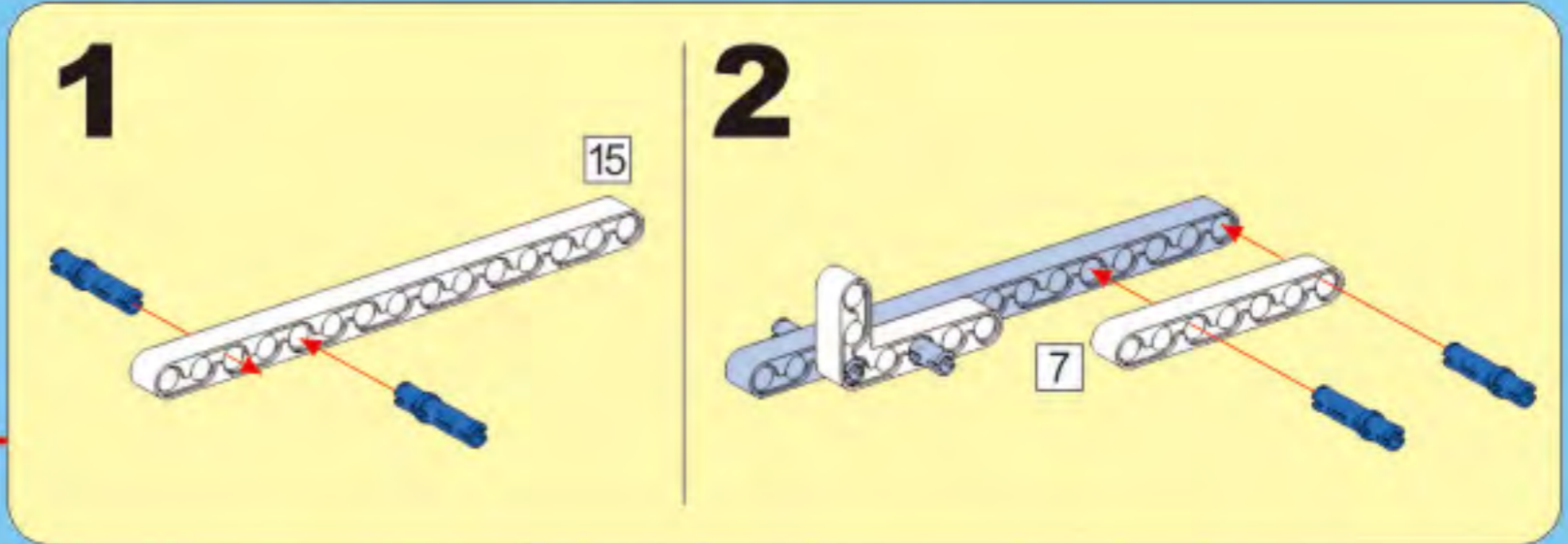
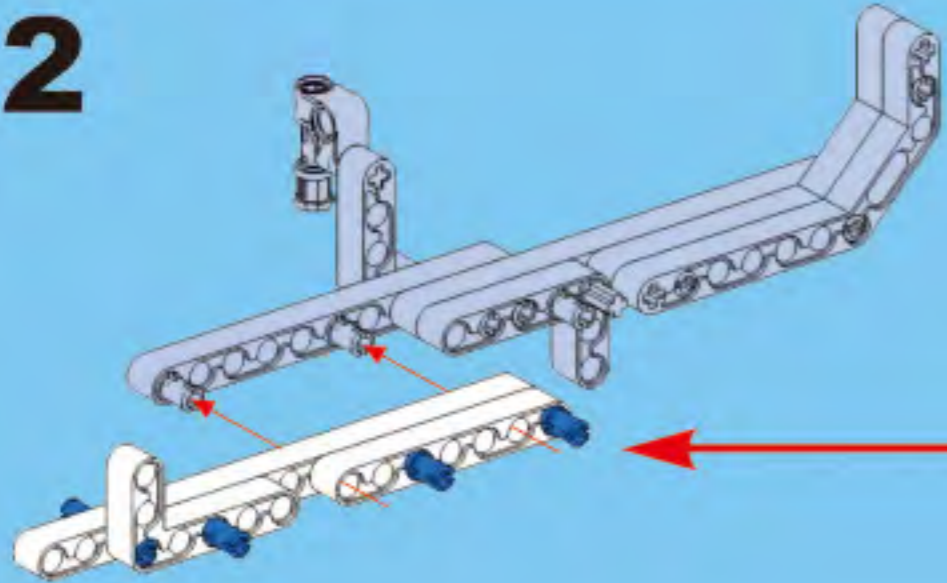


**A51**

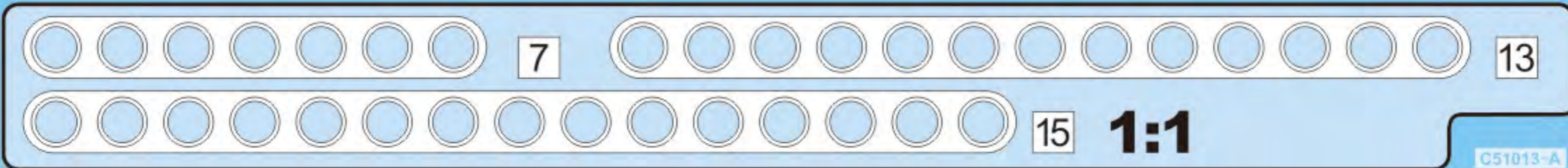
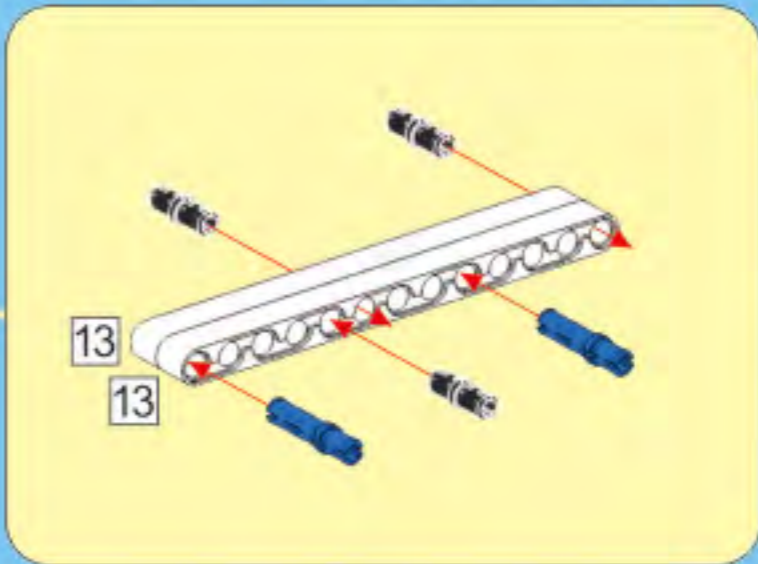
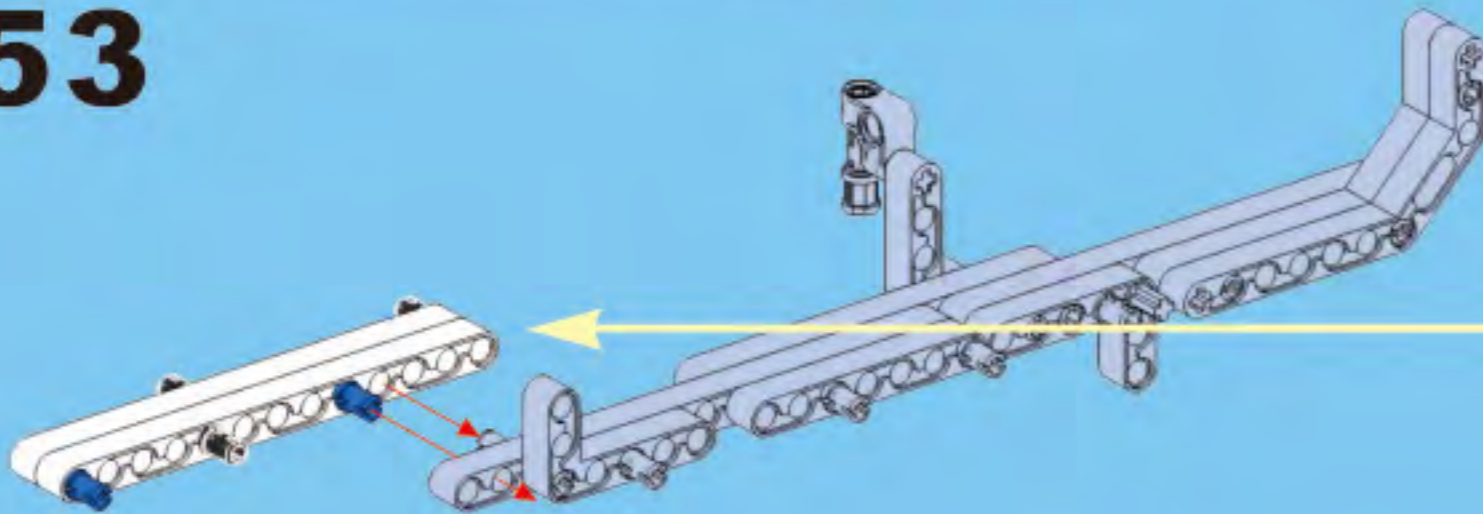


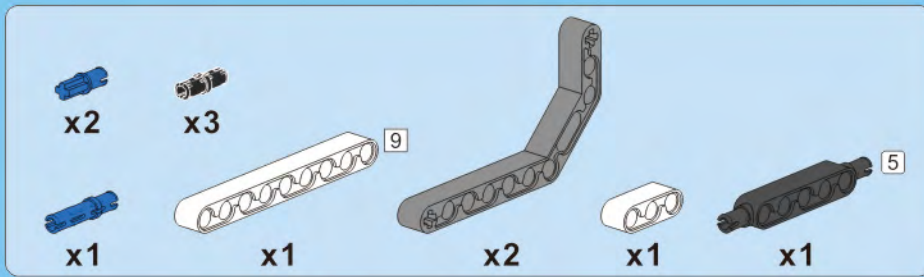


# A52

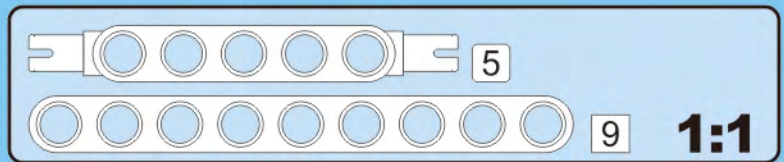
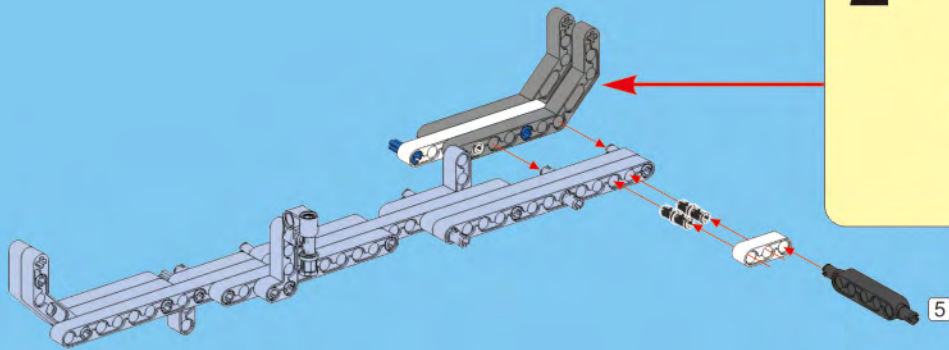
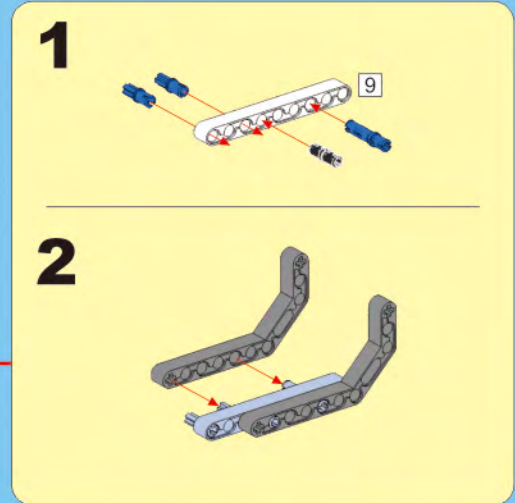


# A53



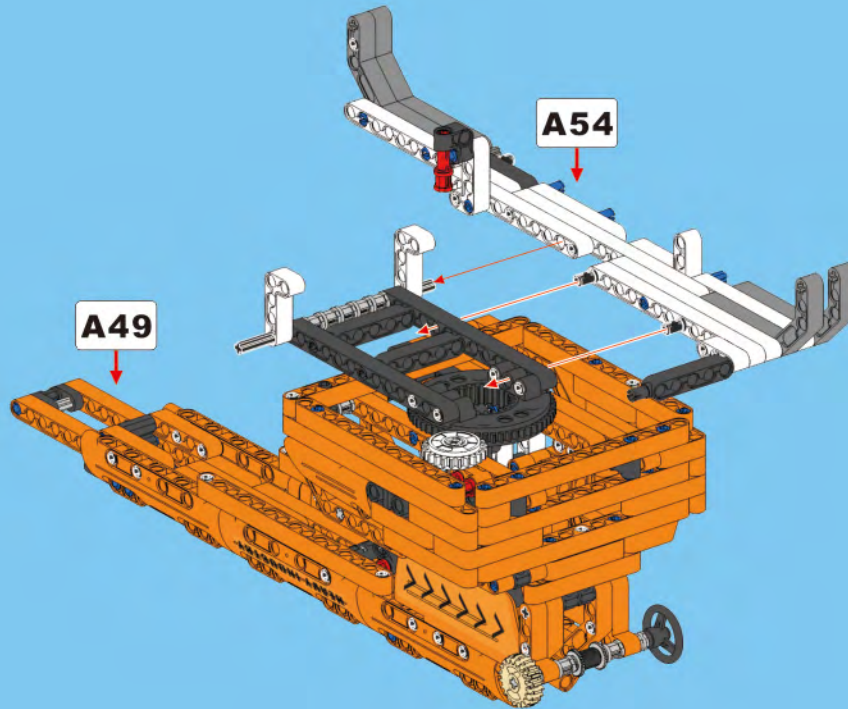


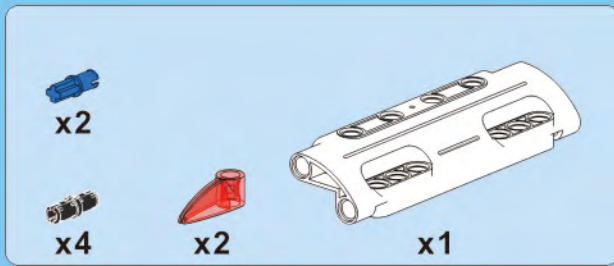
# A54



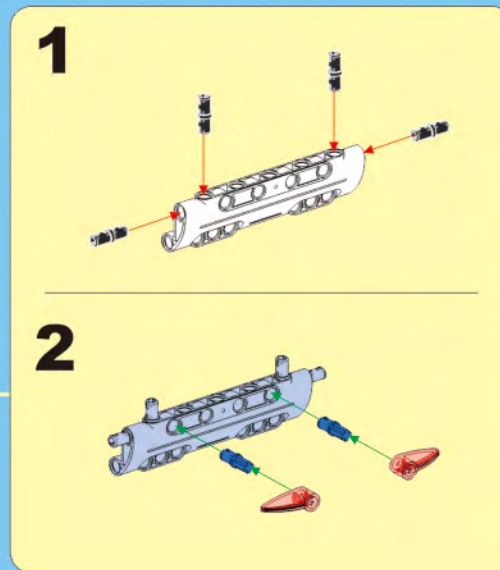
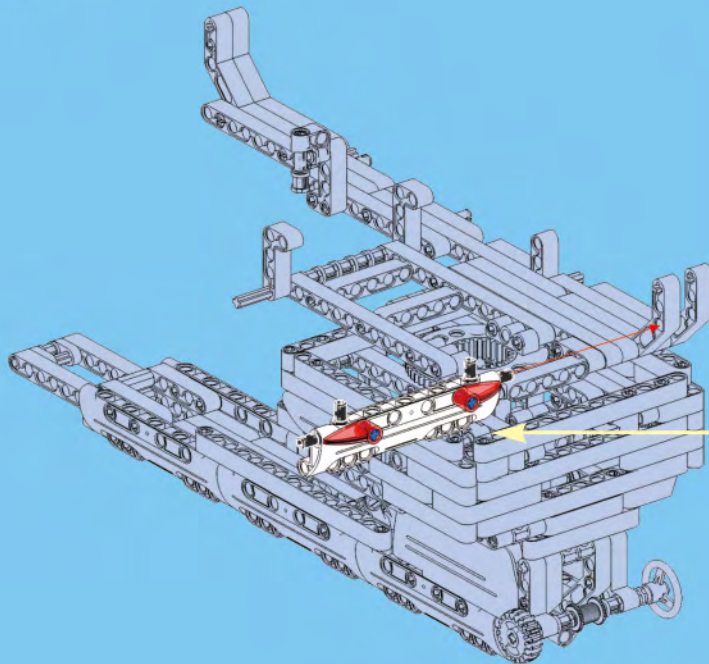


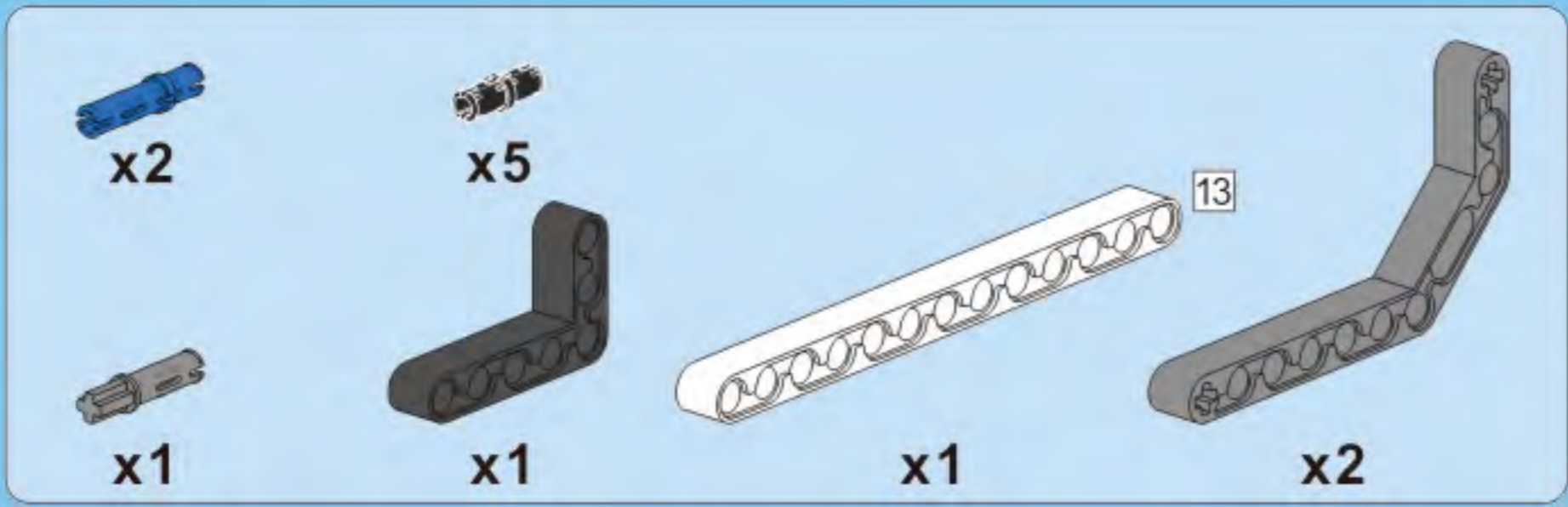
# A55



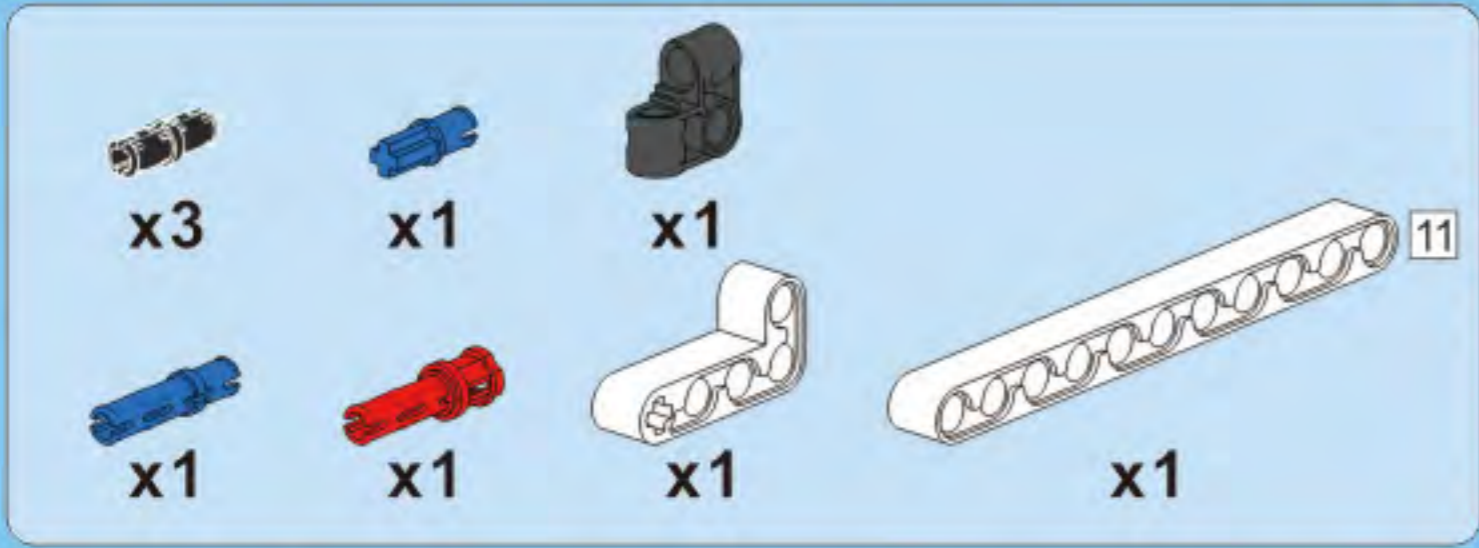
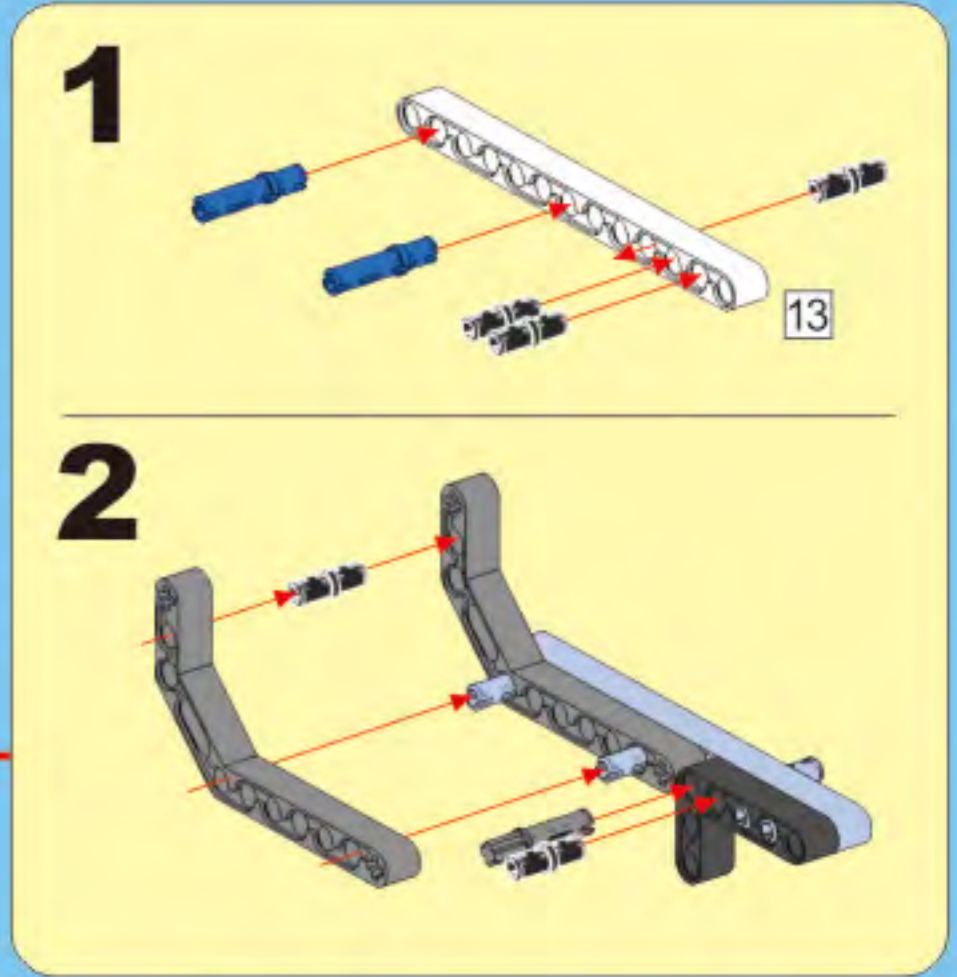
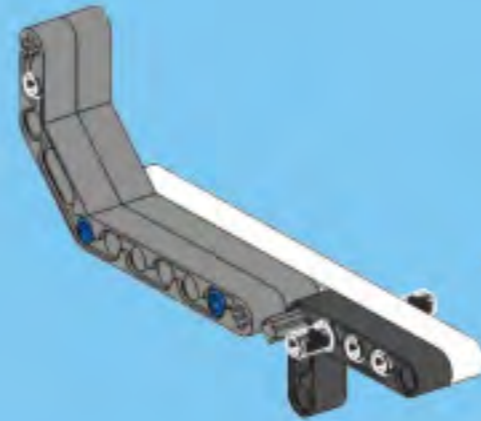


# A56

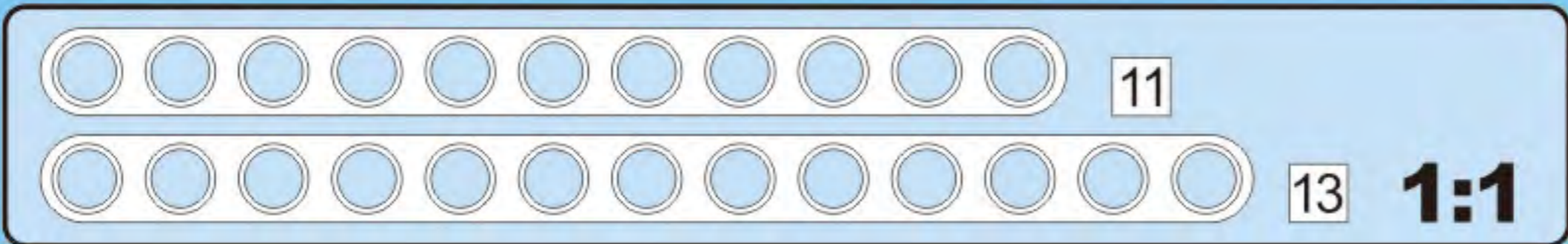
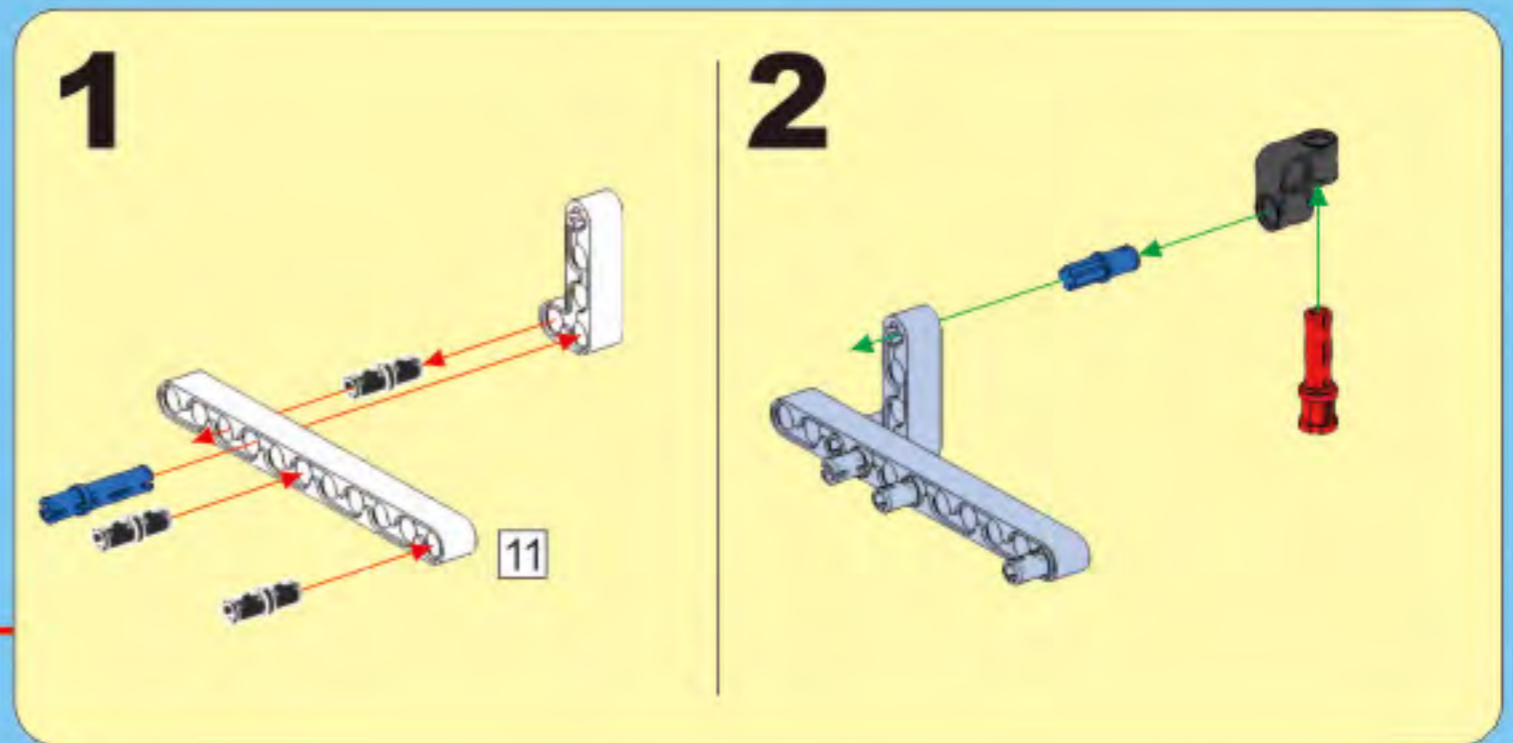
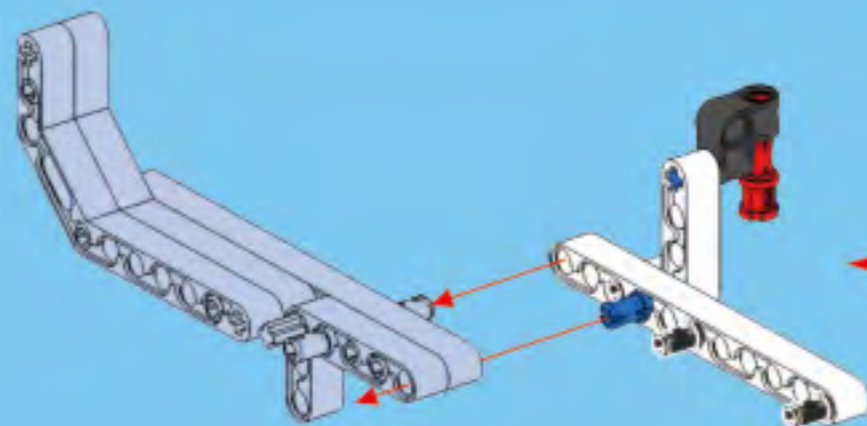


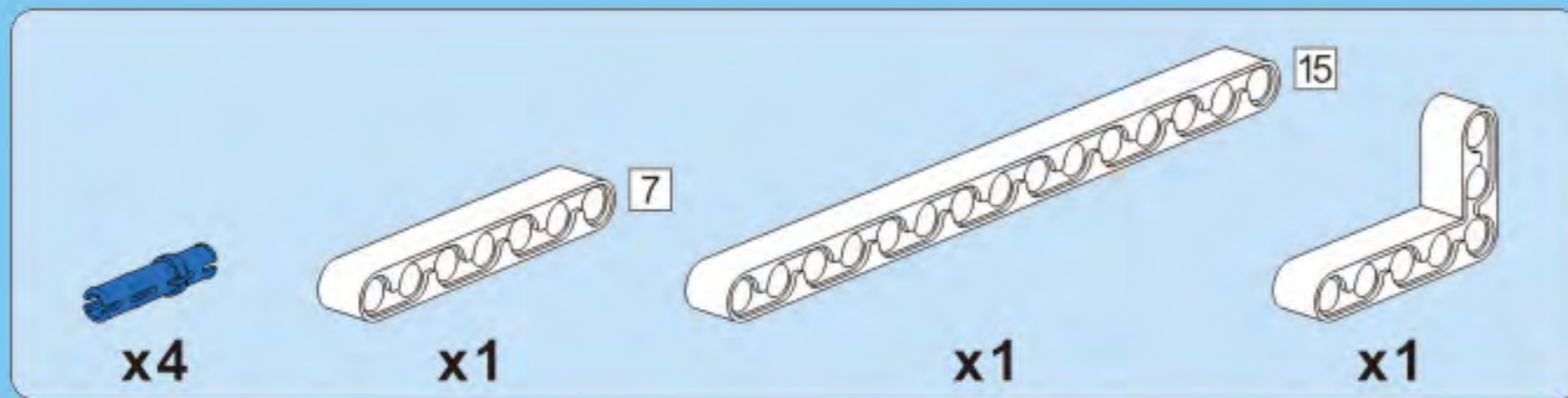


# A57

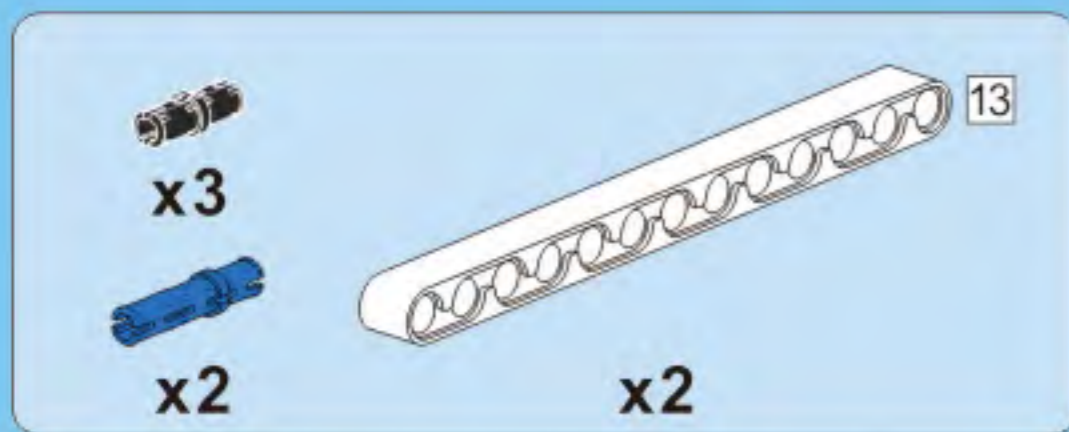
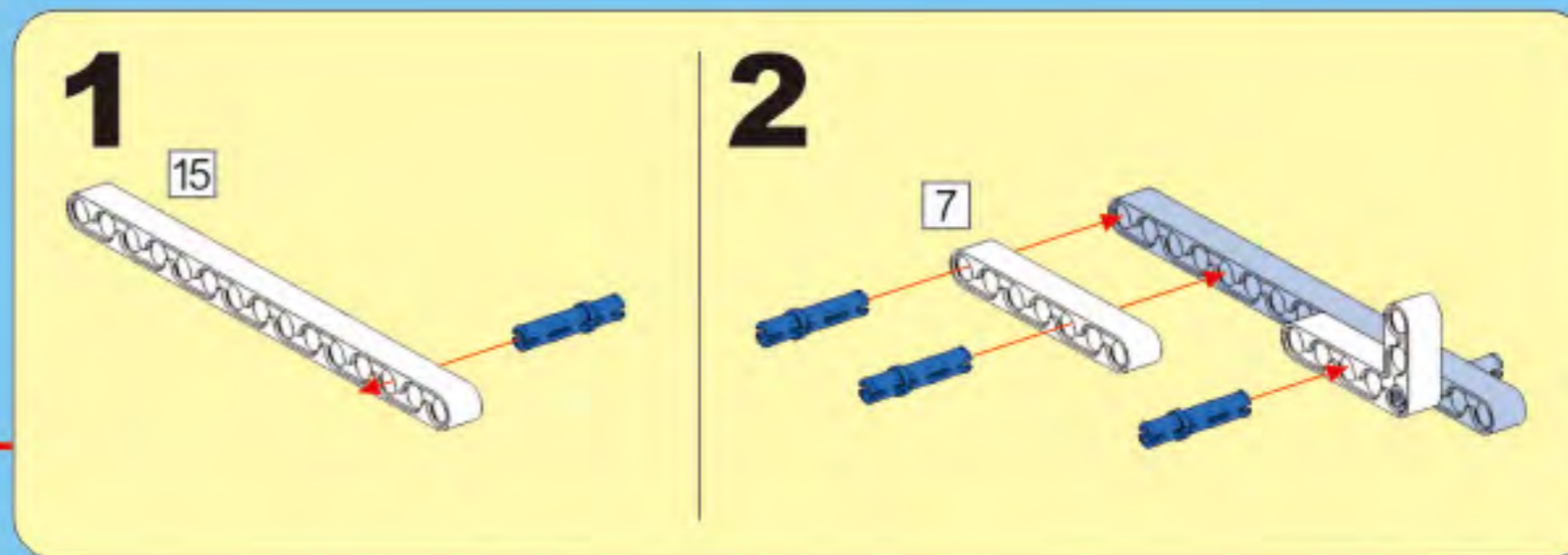
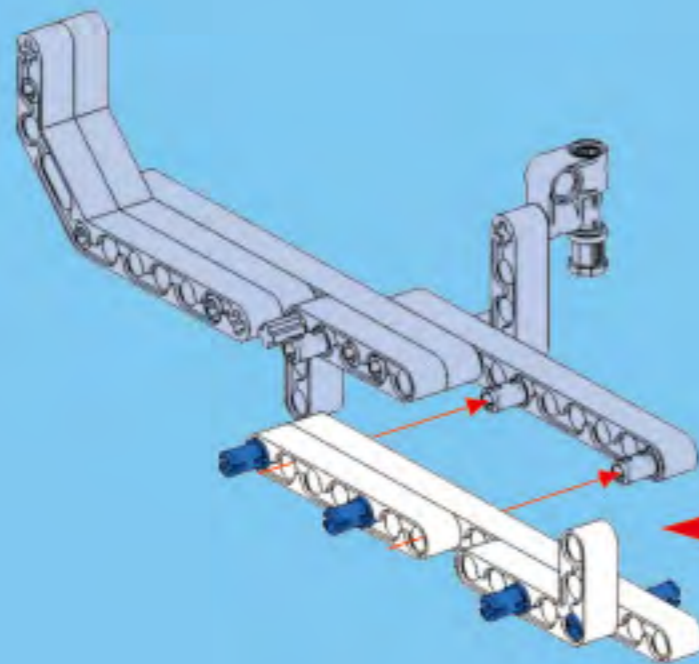


# A58

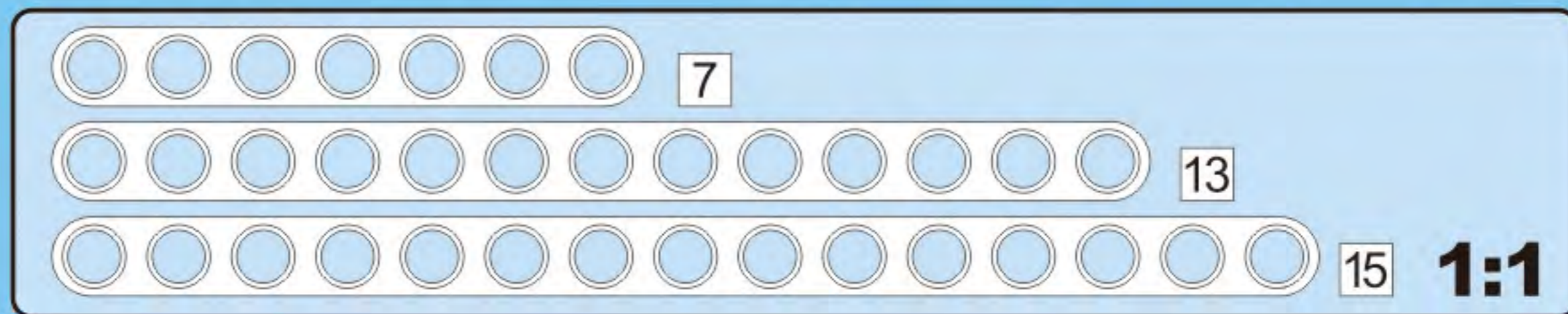
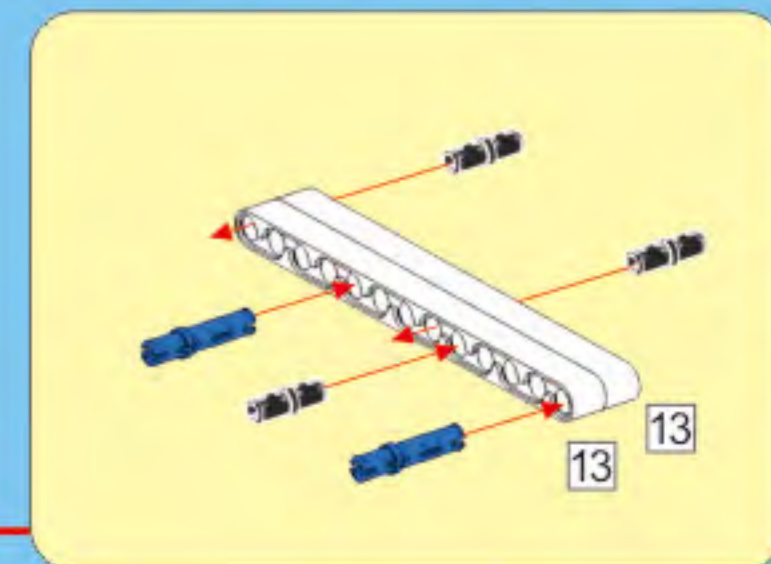
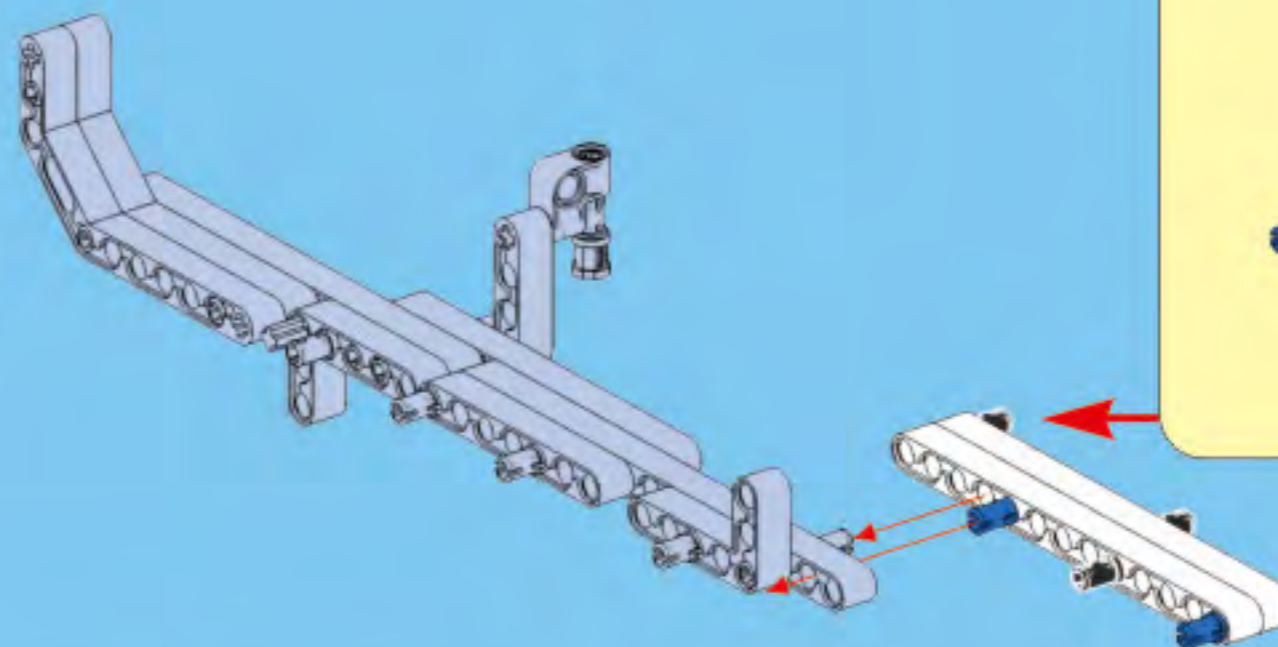


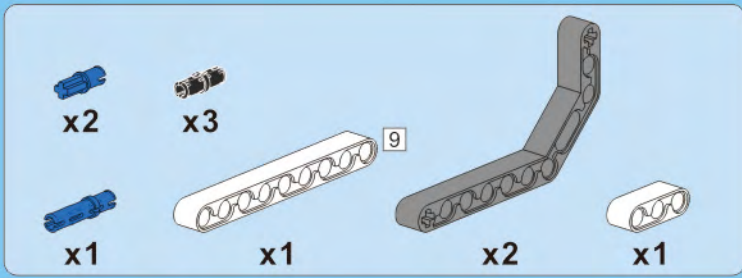


# A59

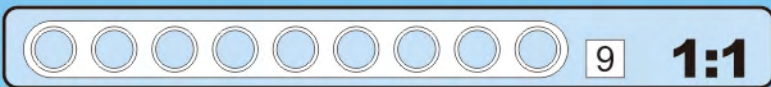
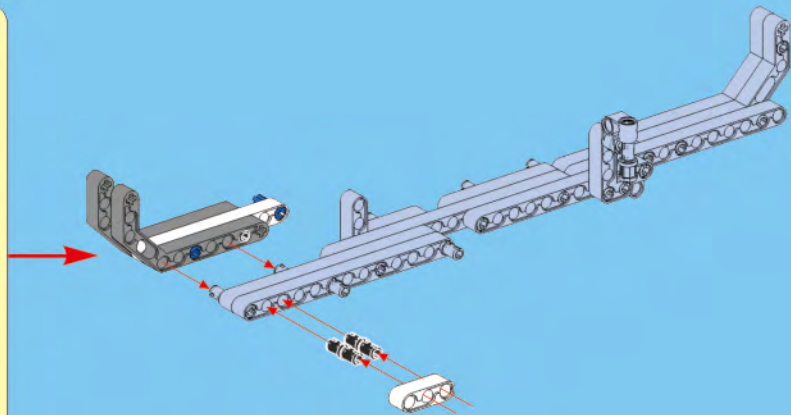
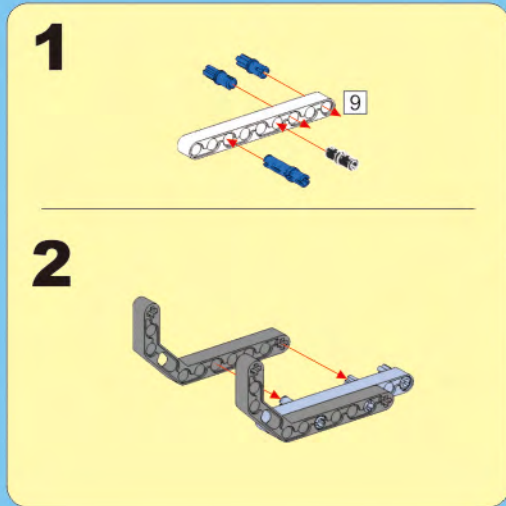


# A60

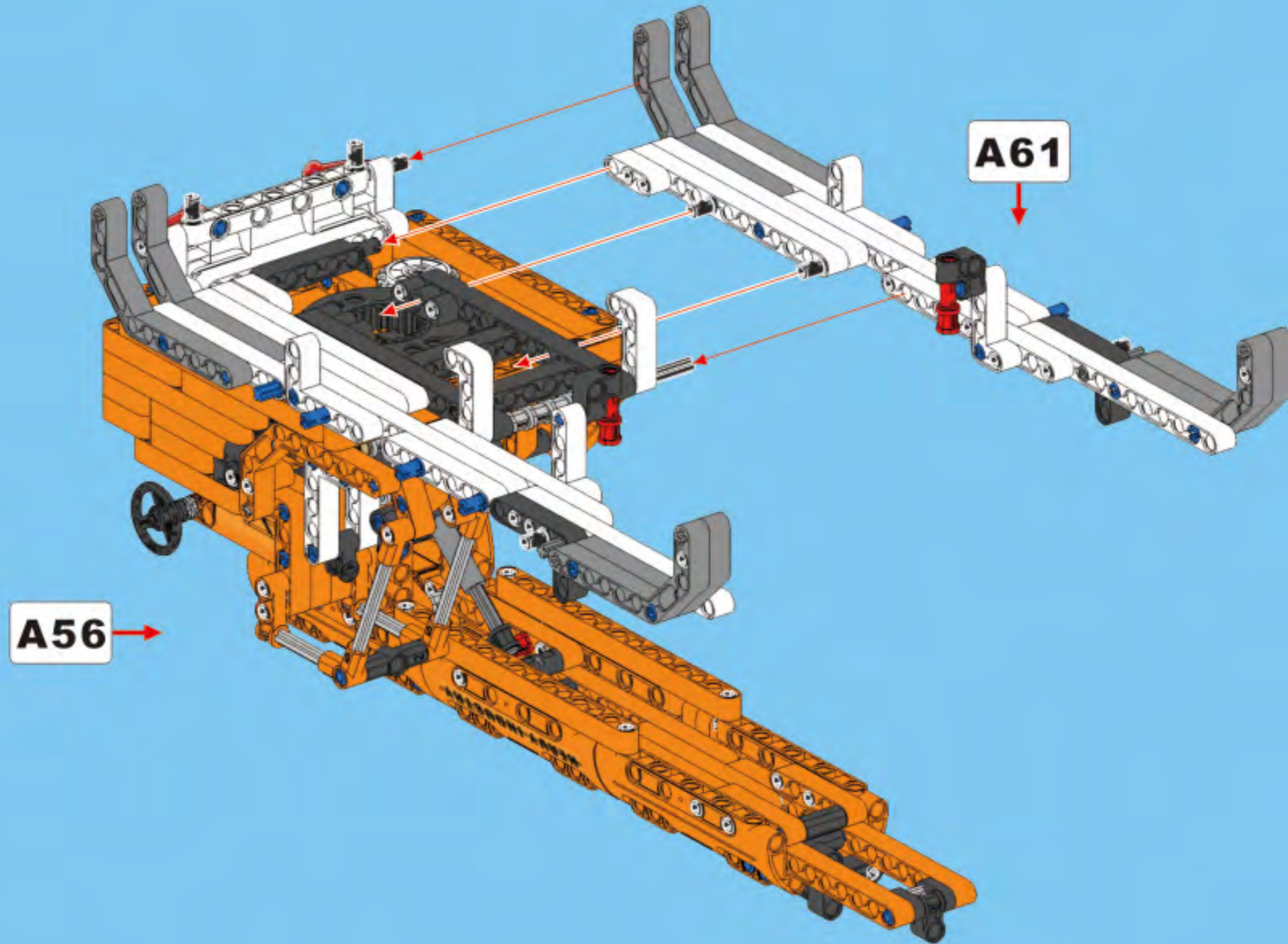


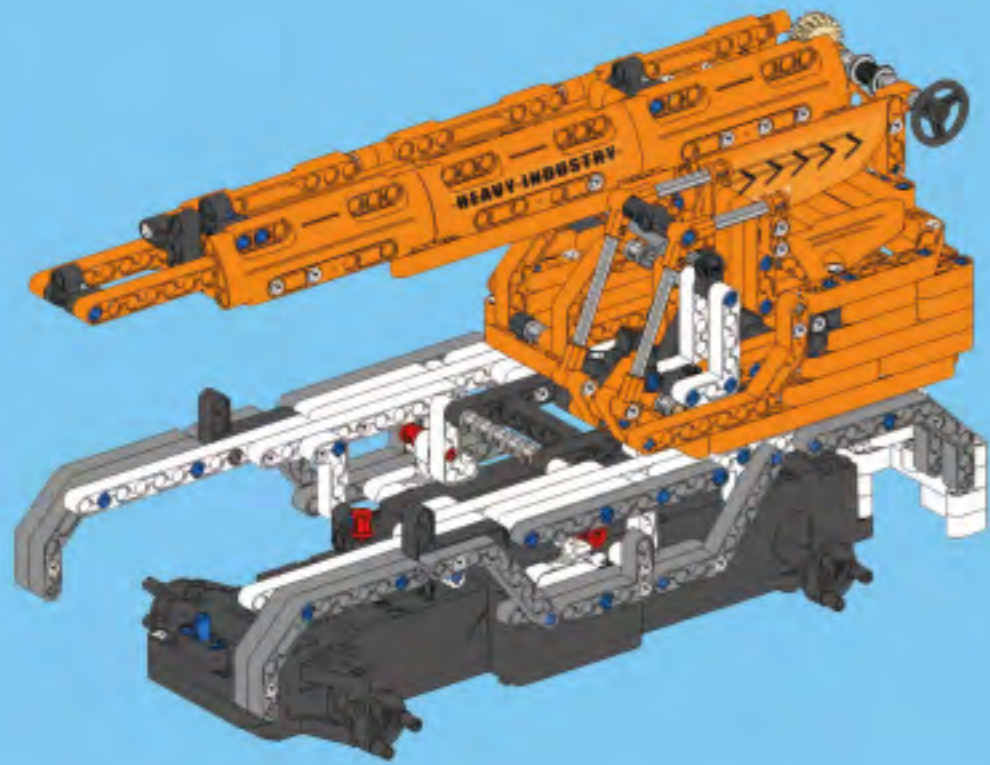


# A61



# A62



**B**

x2



x2



x1



x2

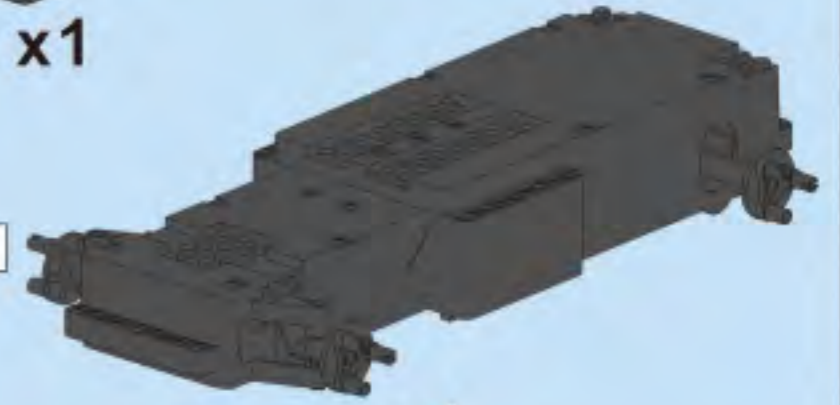


x3

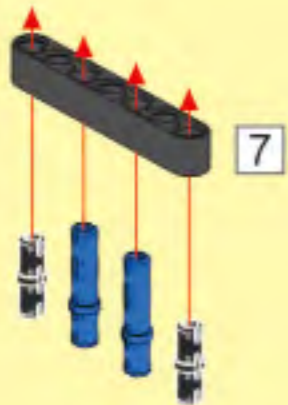
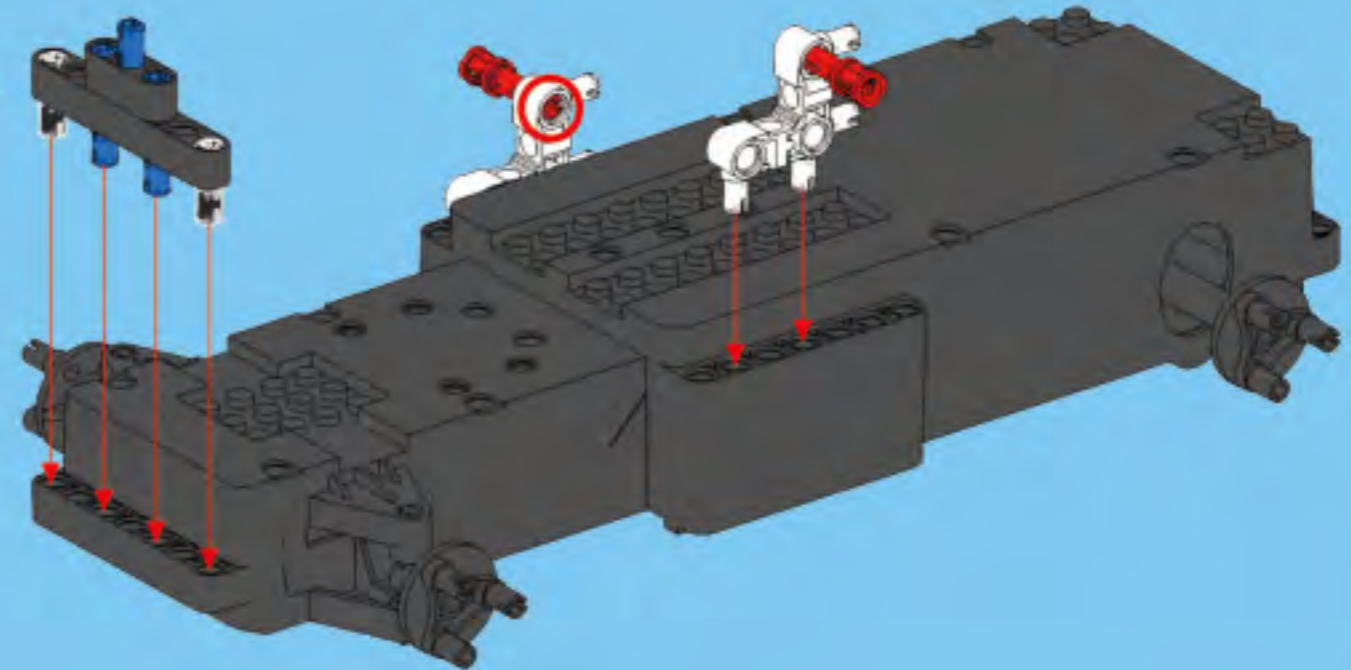
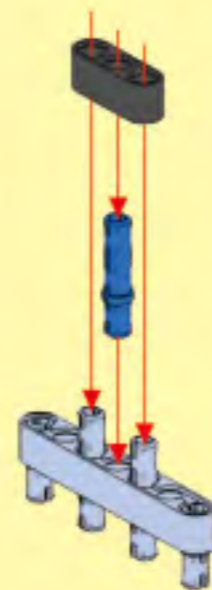


x1

7

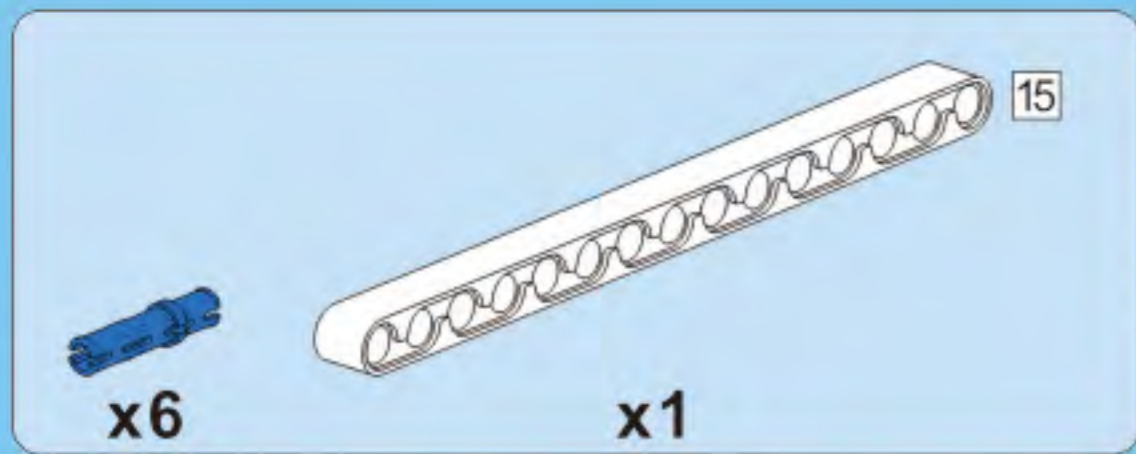


x1

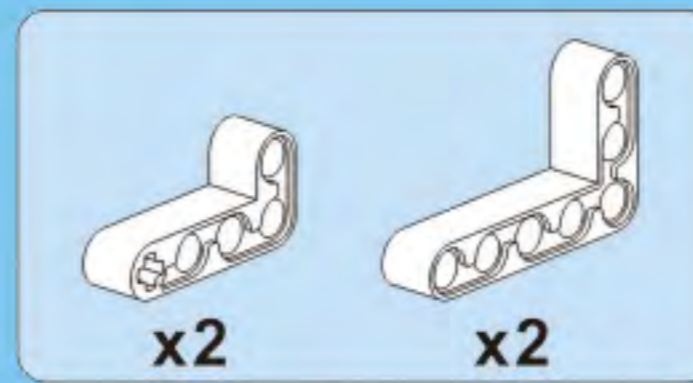
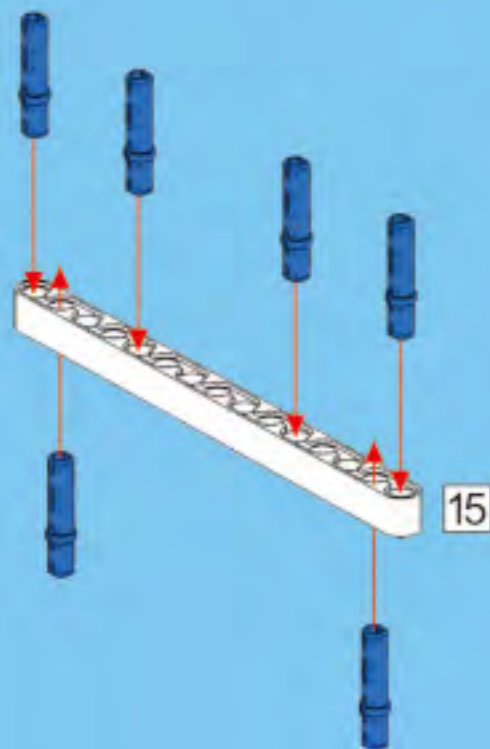
**B1****1****2**

7

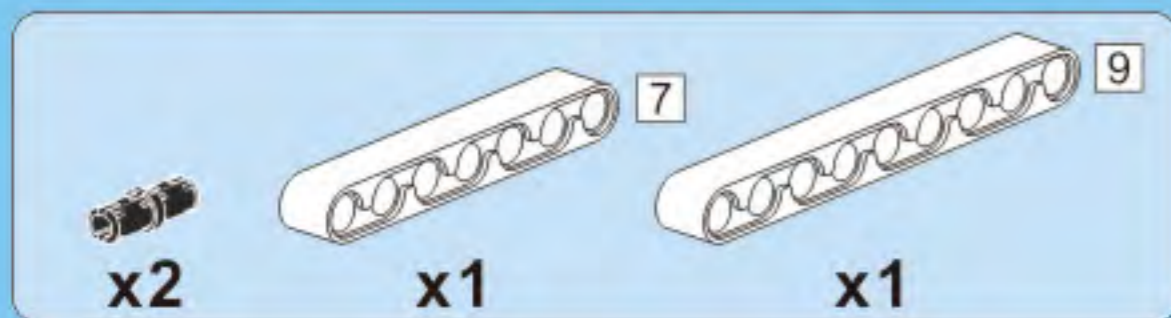
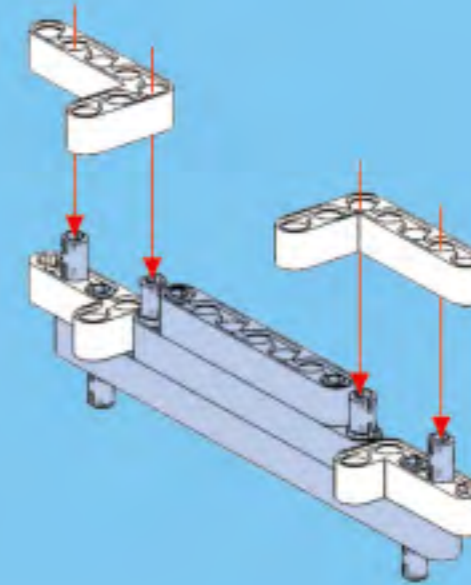
**1:1**



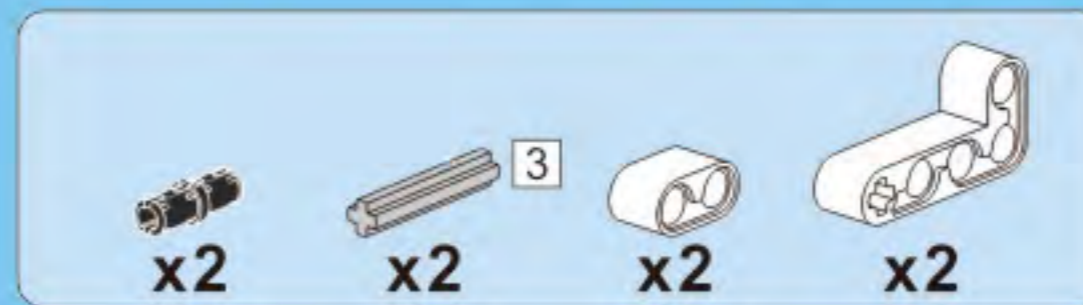
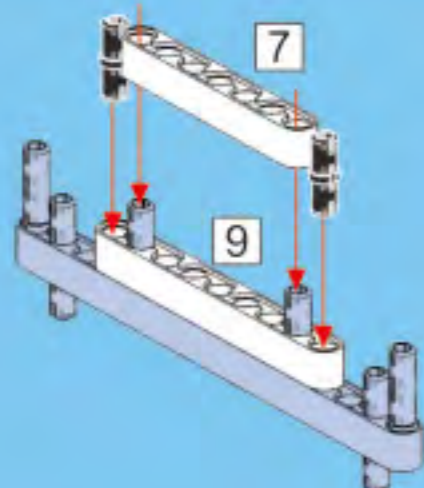
**B2**



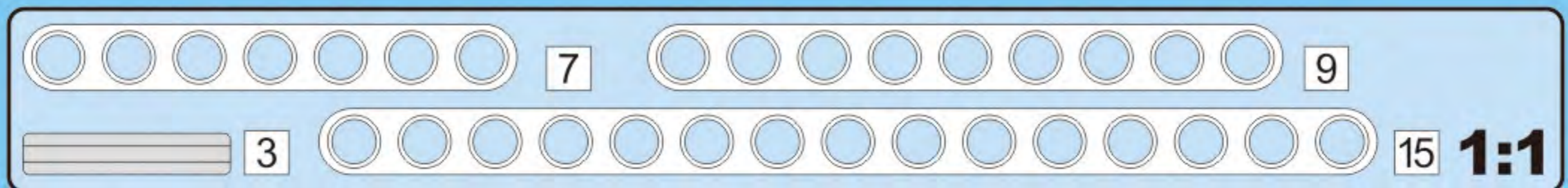
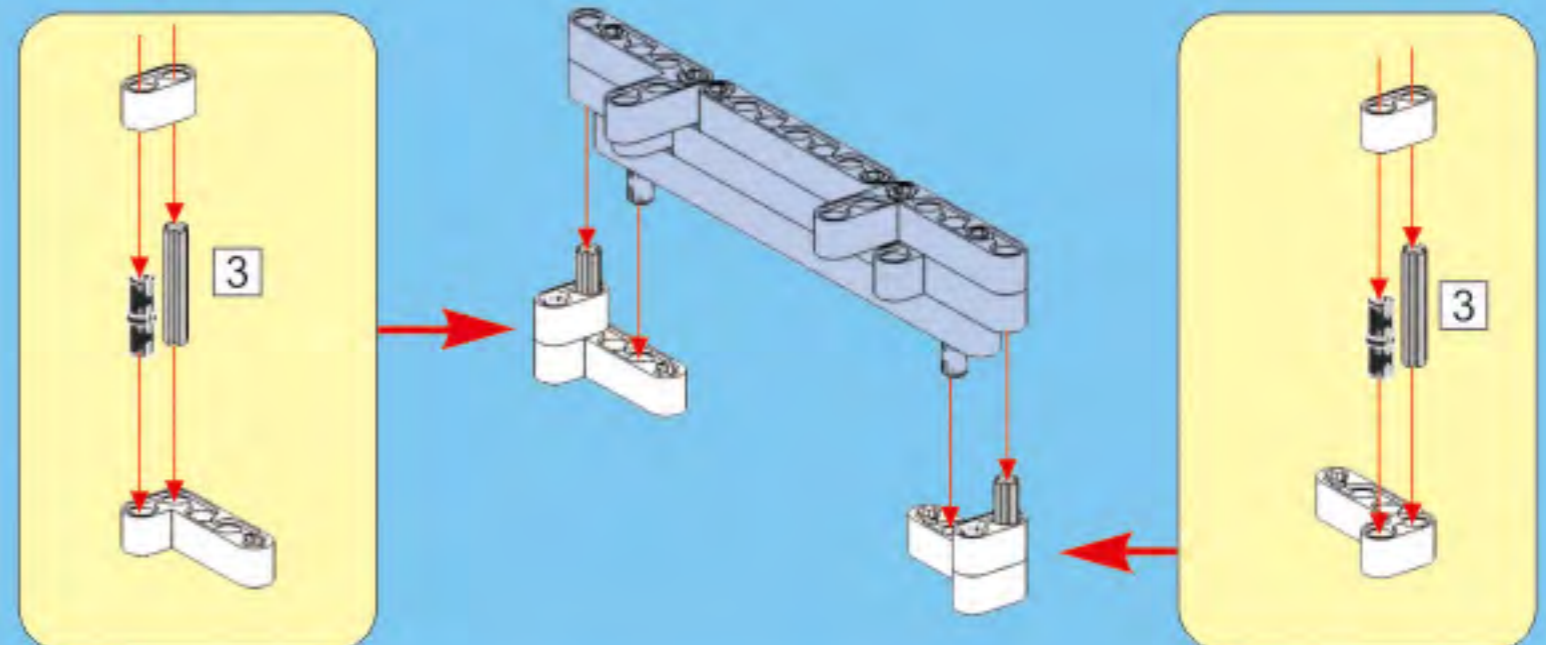
**B4**



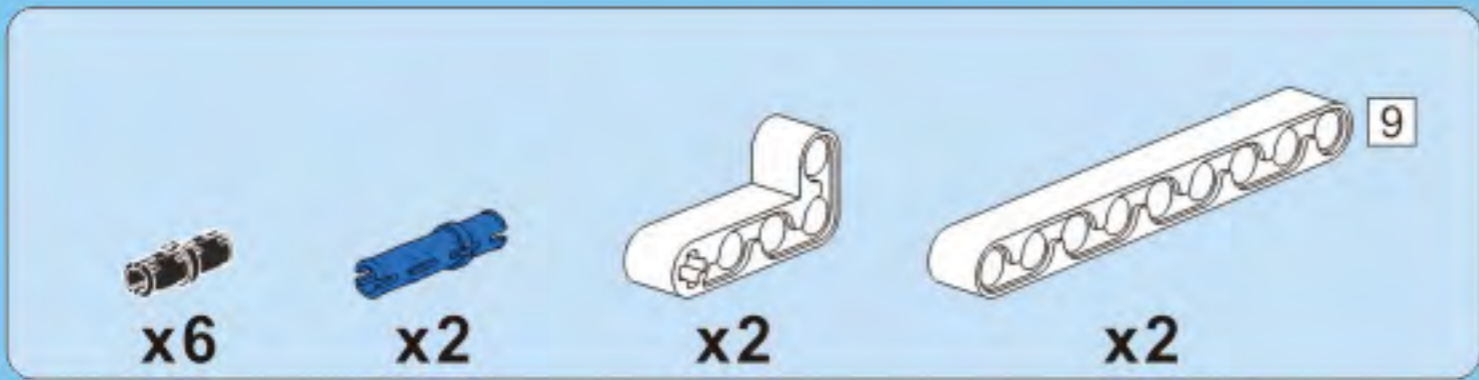
**B3**



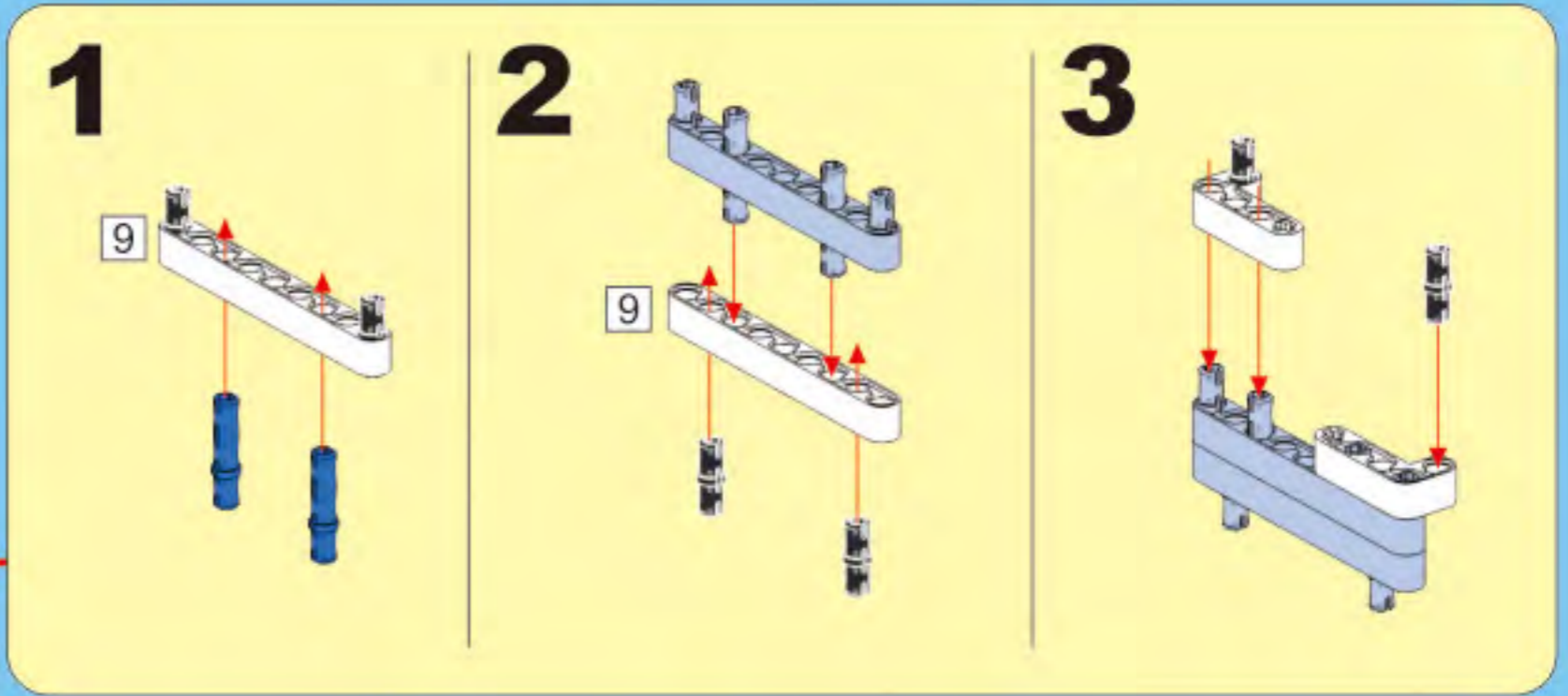
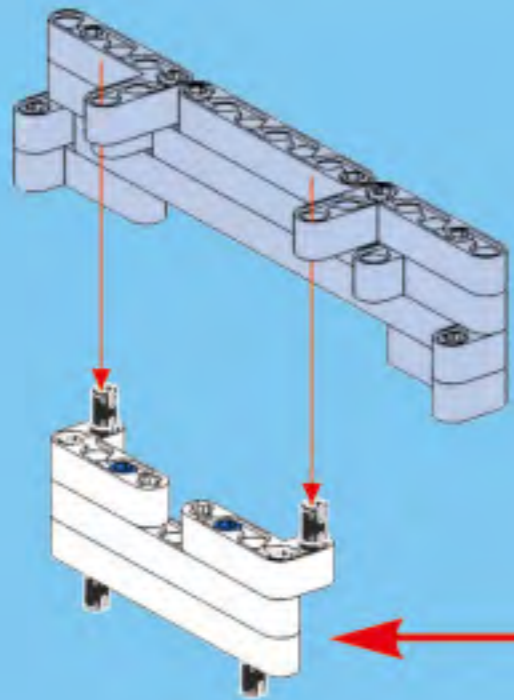
**B5**



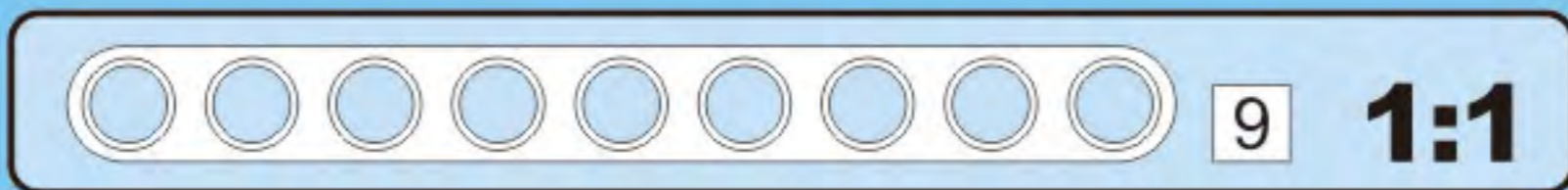
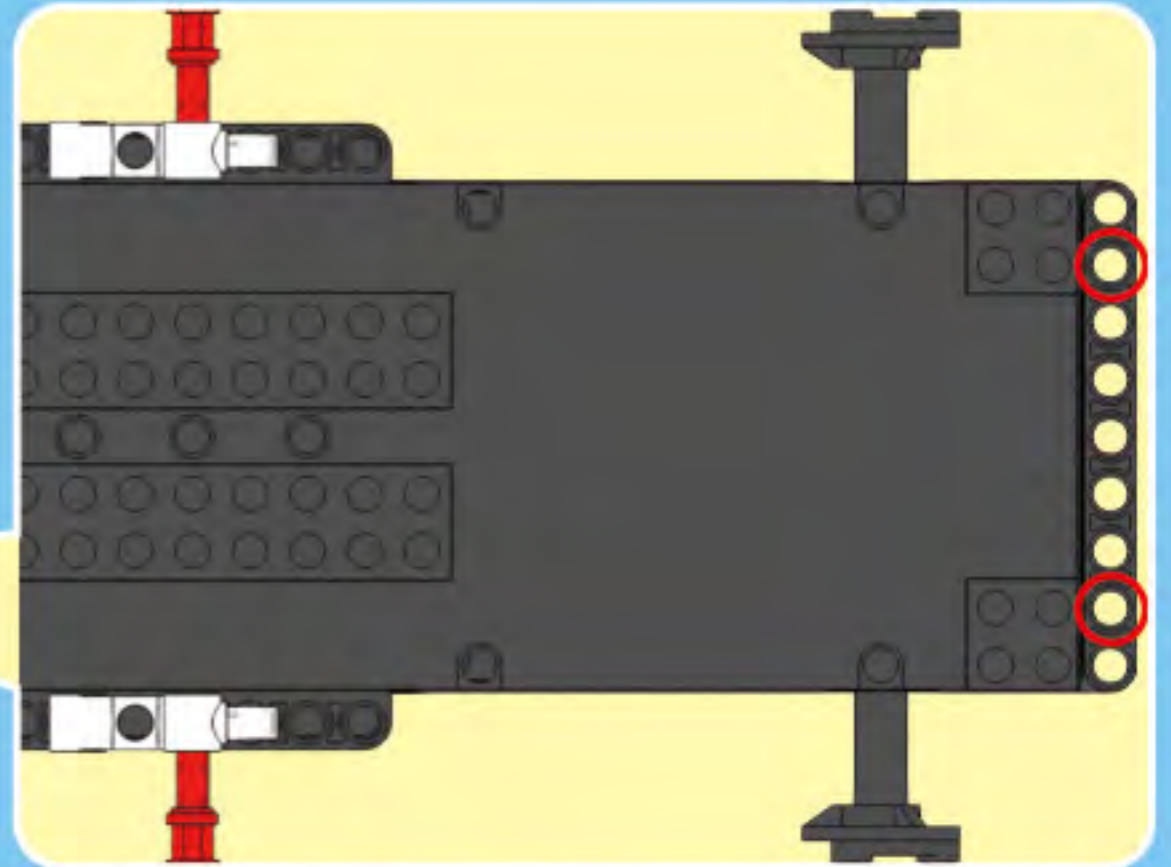
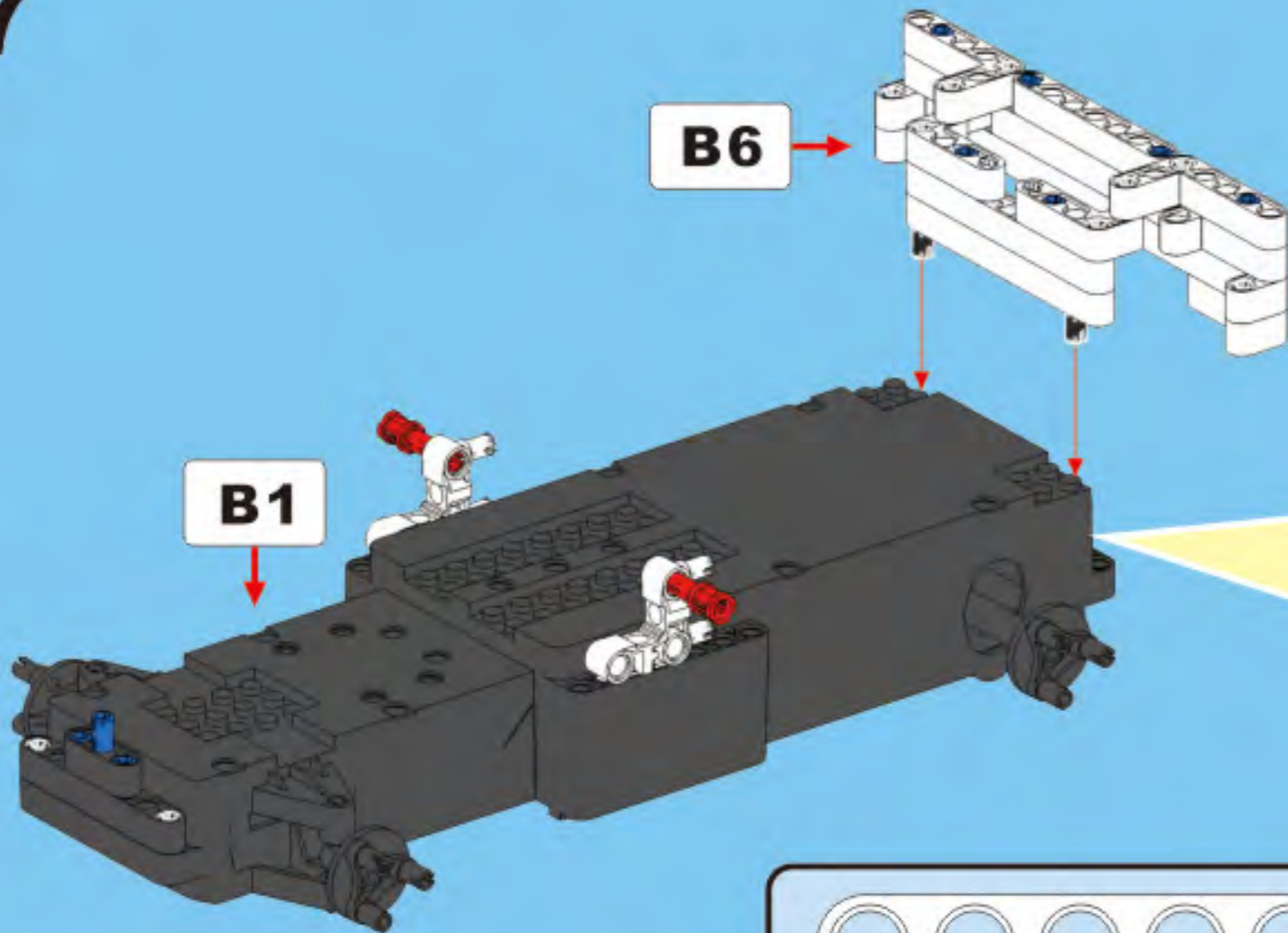




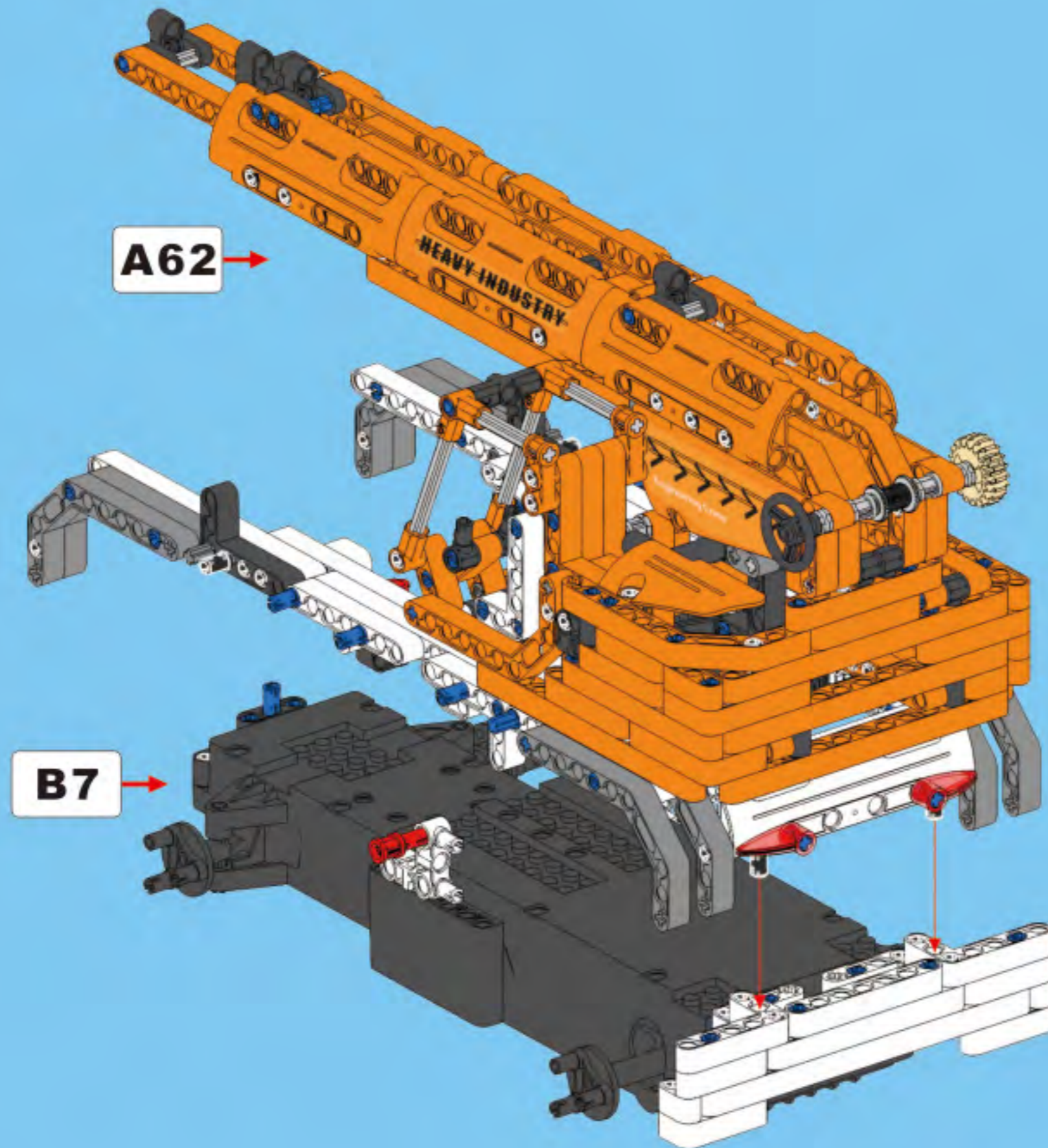
# B6



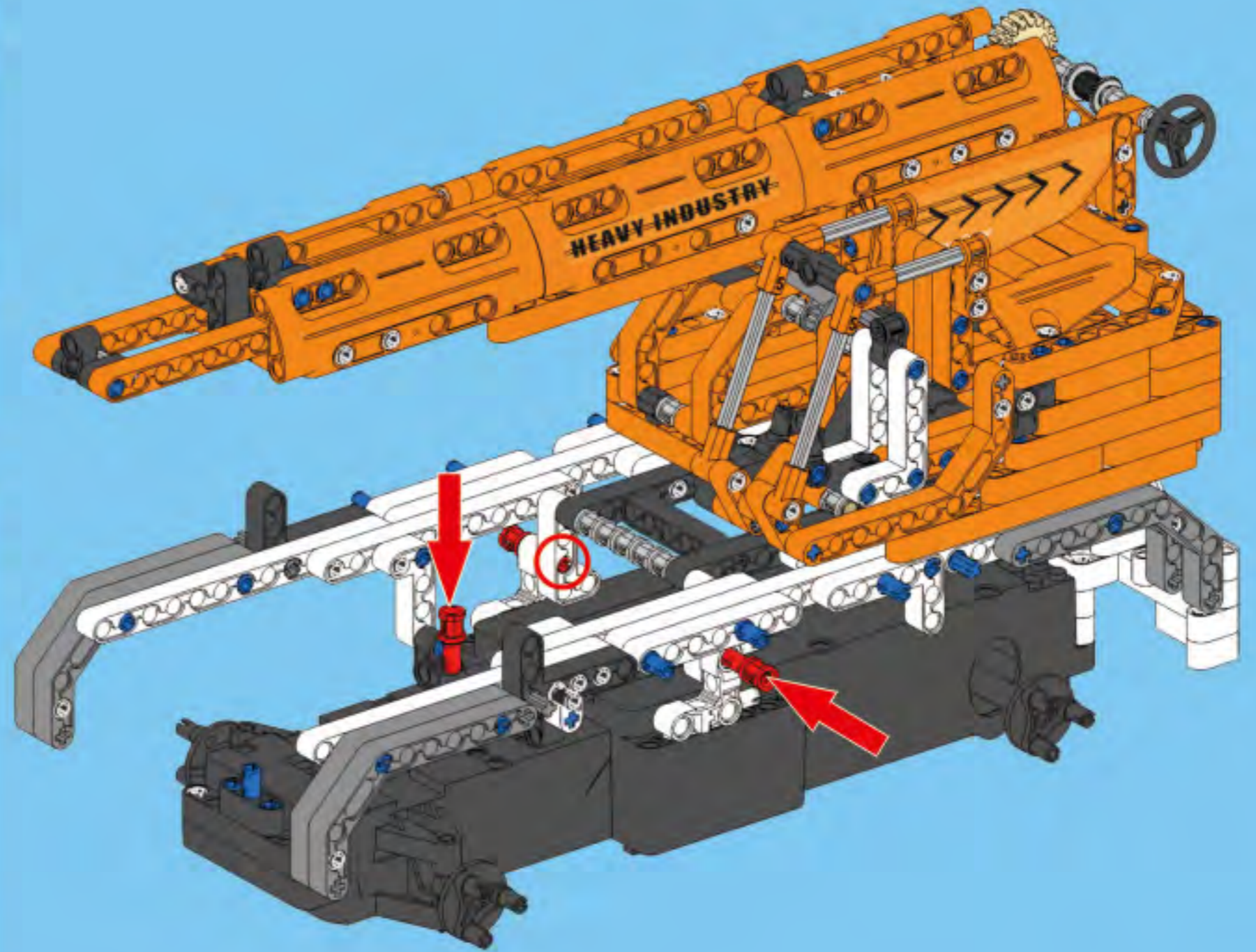
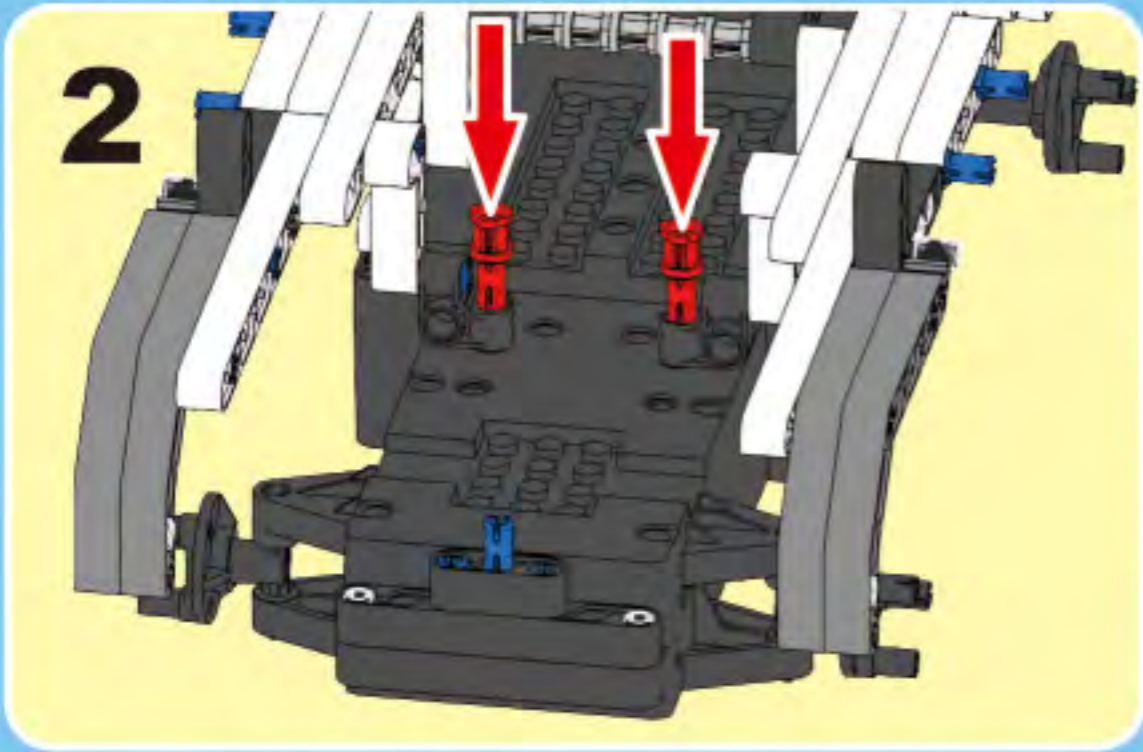
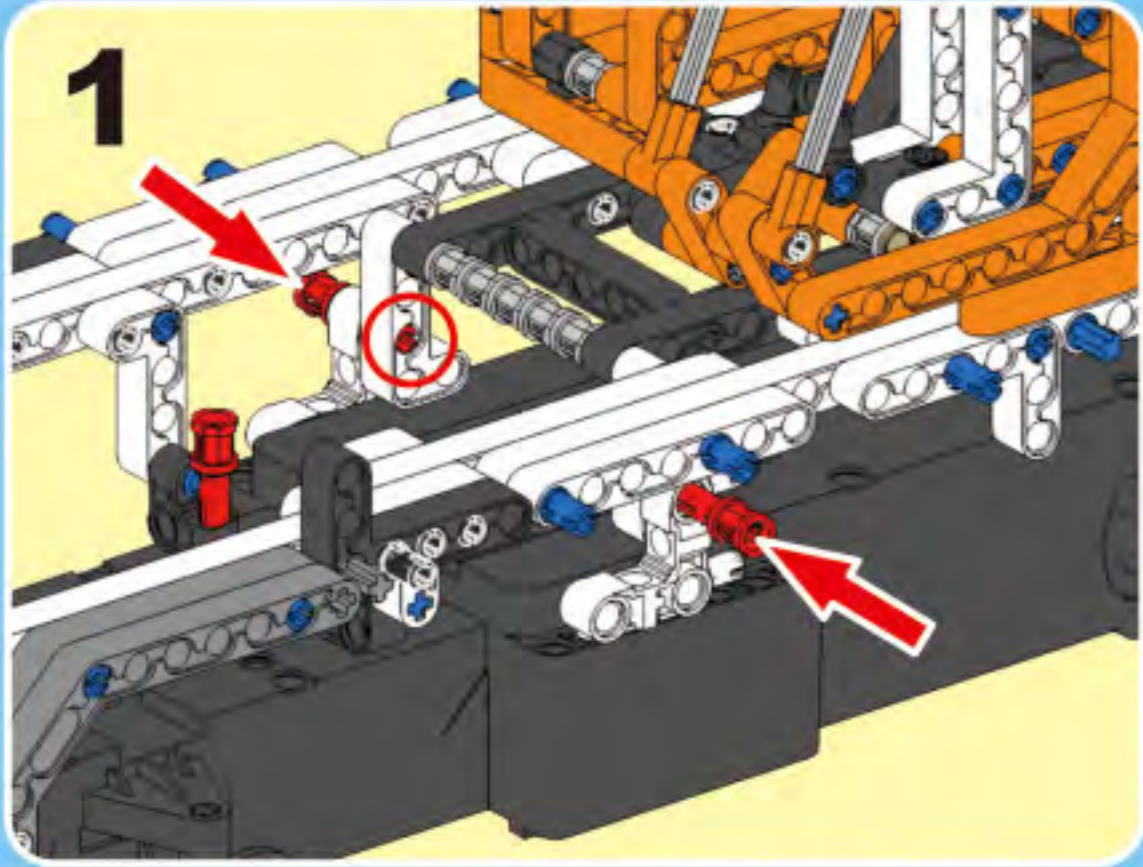
# B7

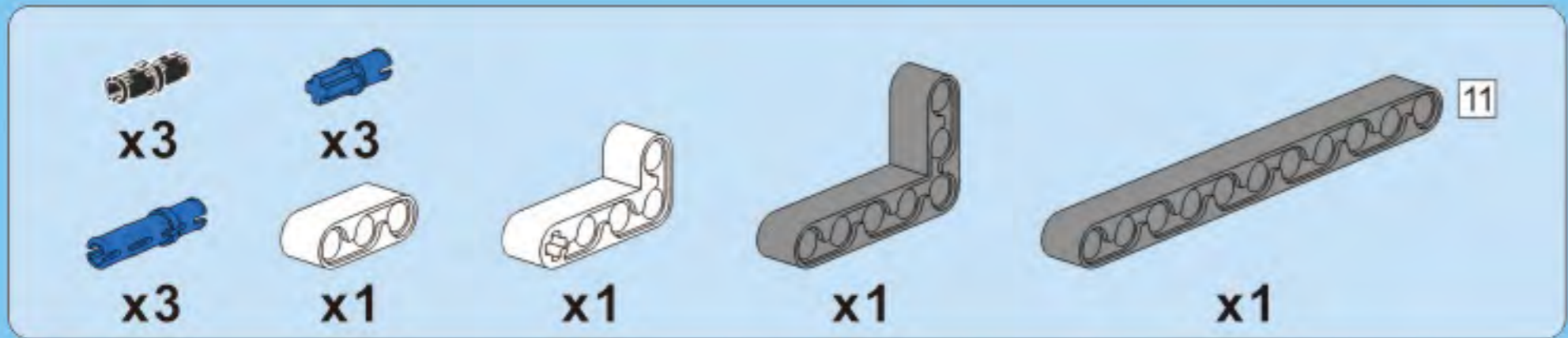


# B8

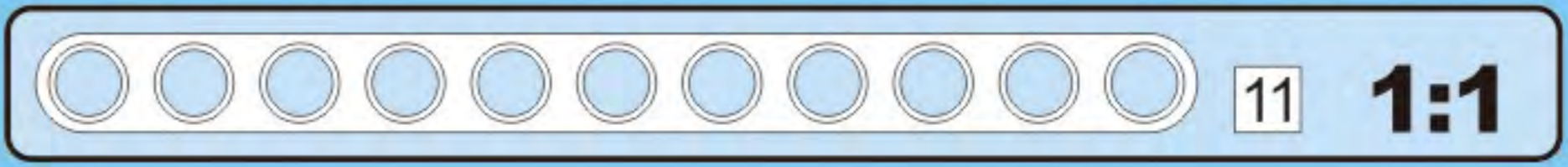
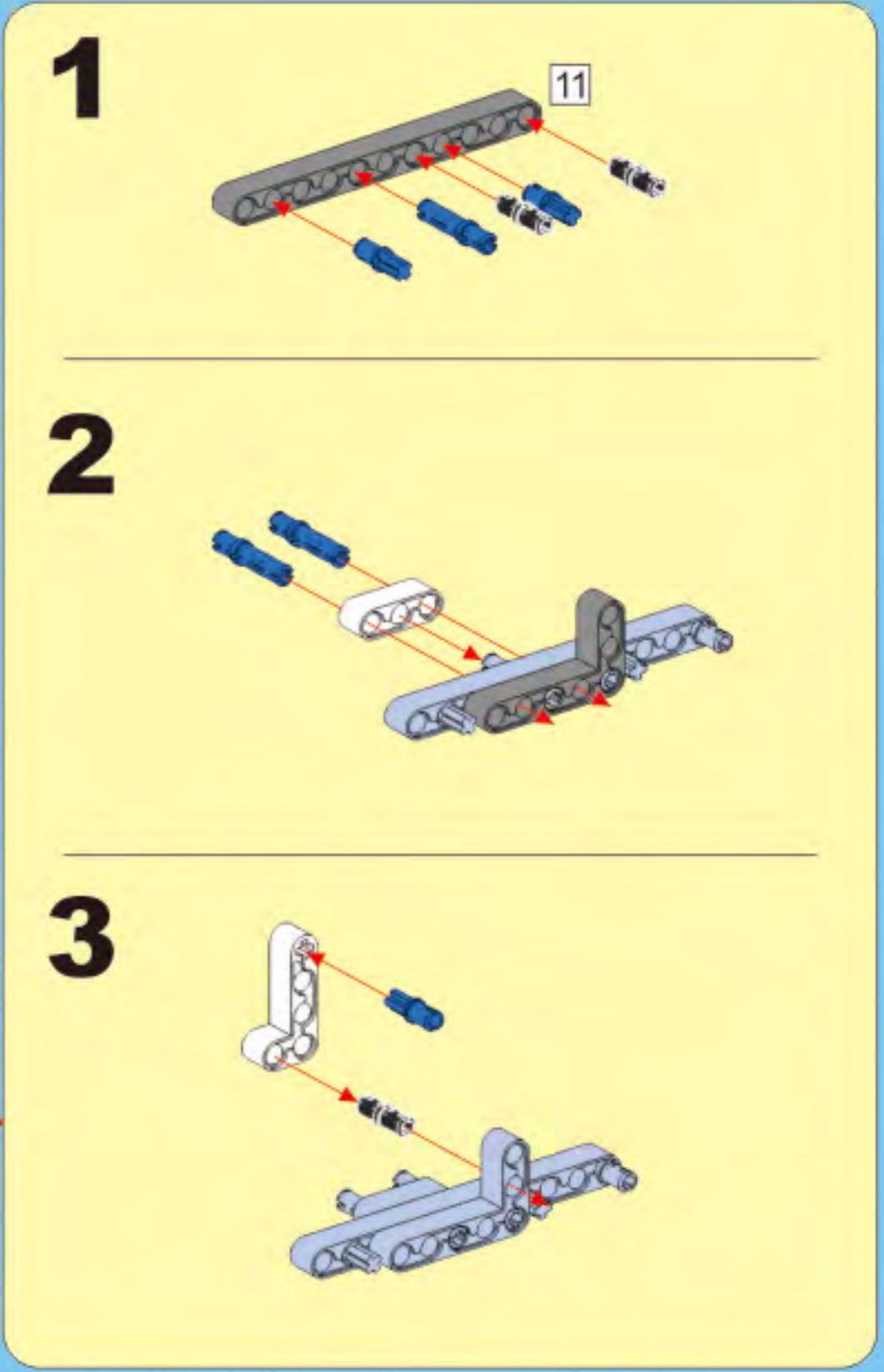
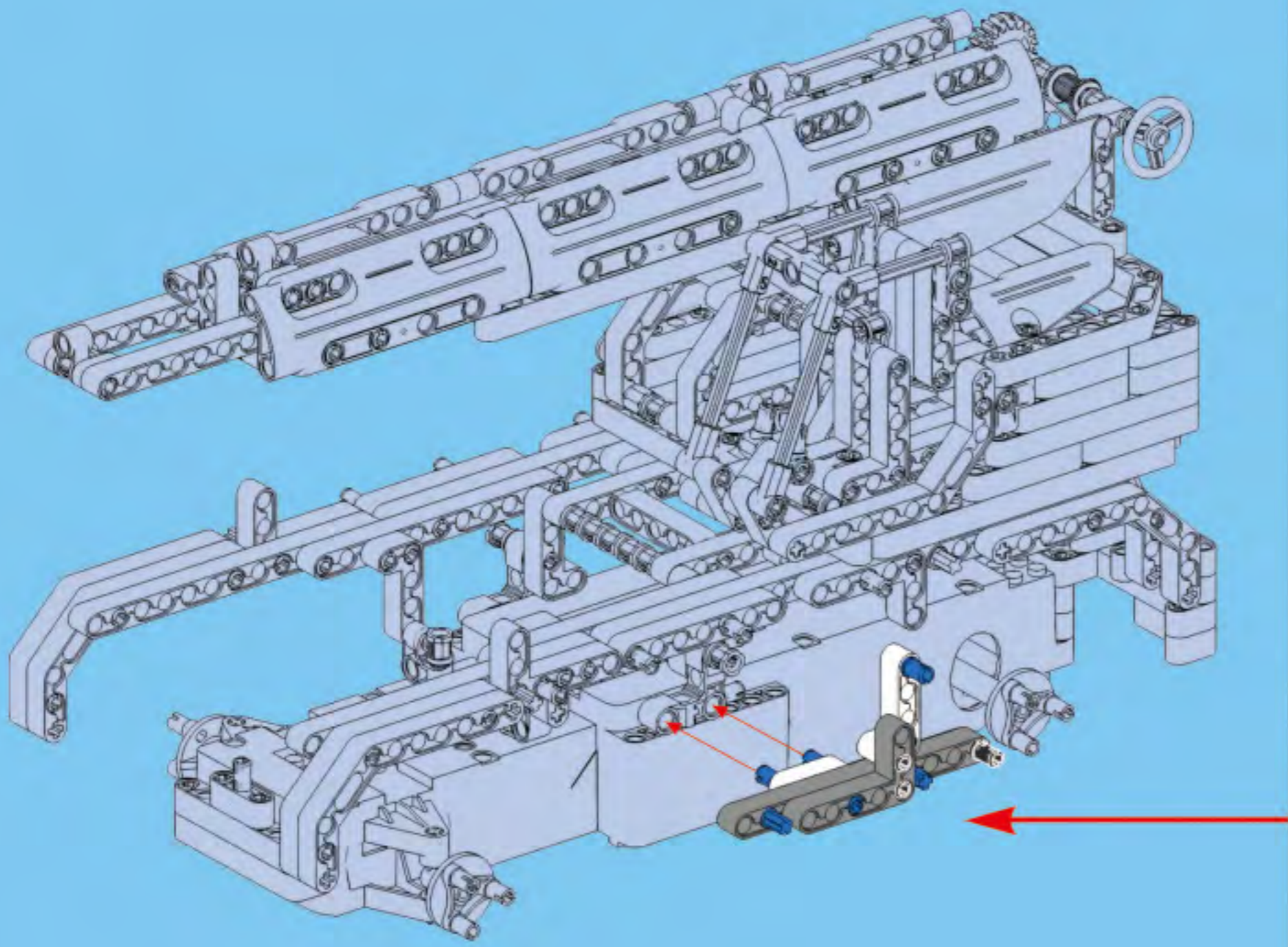


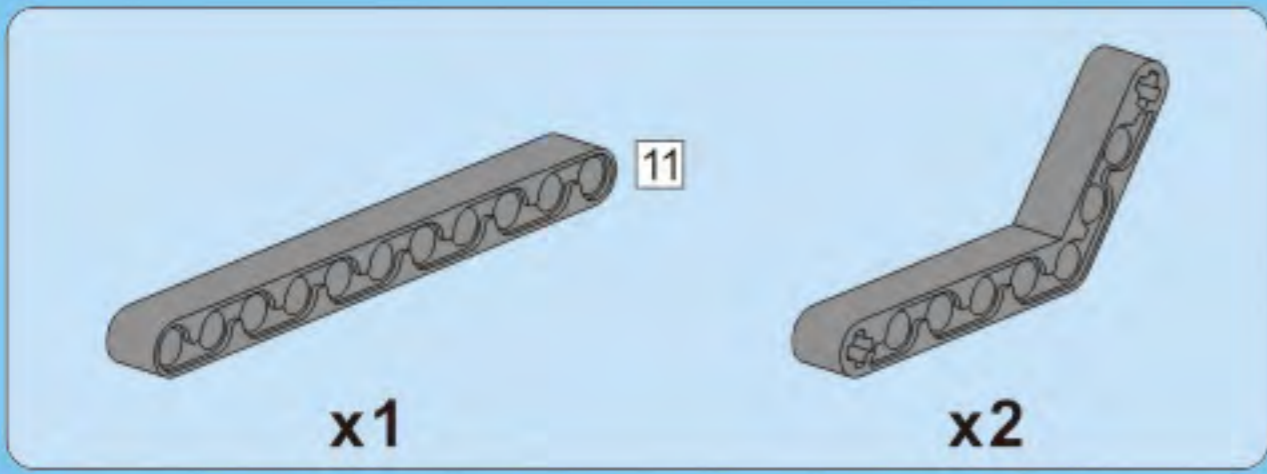
# B9



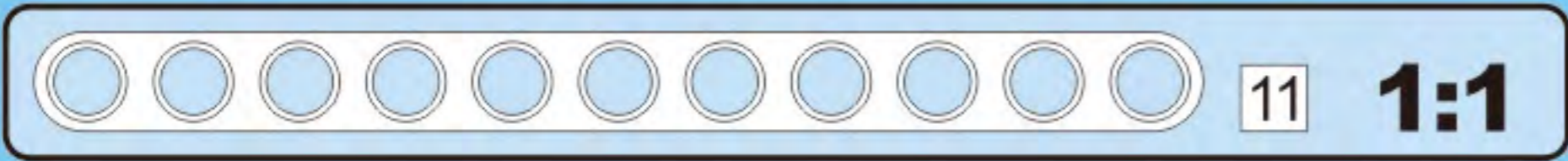
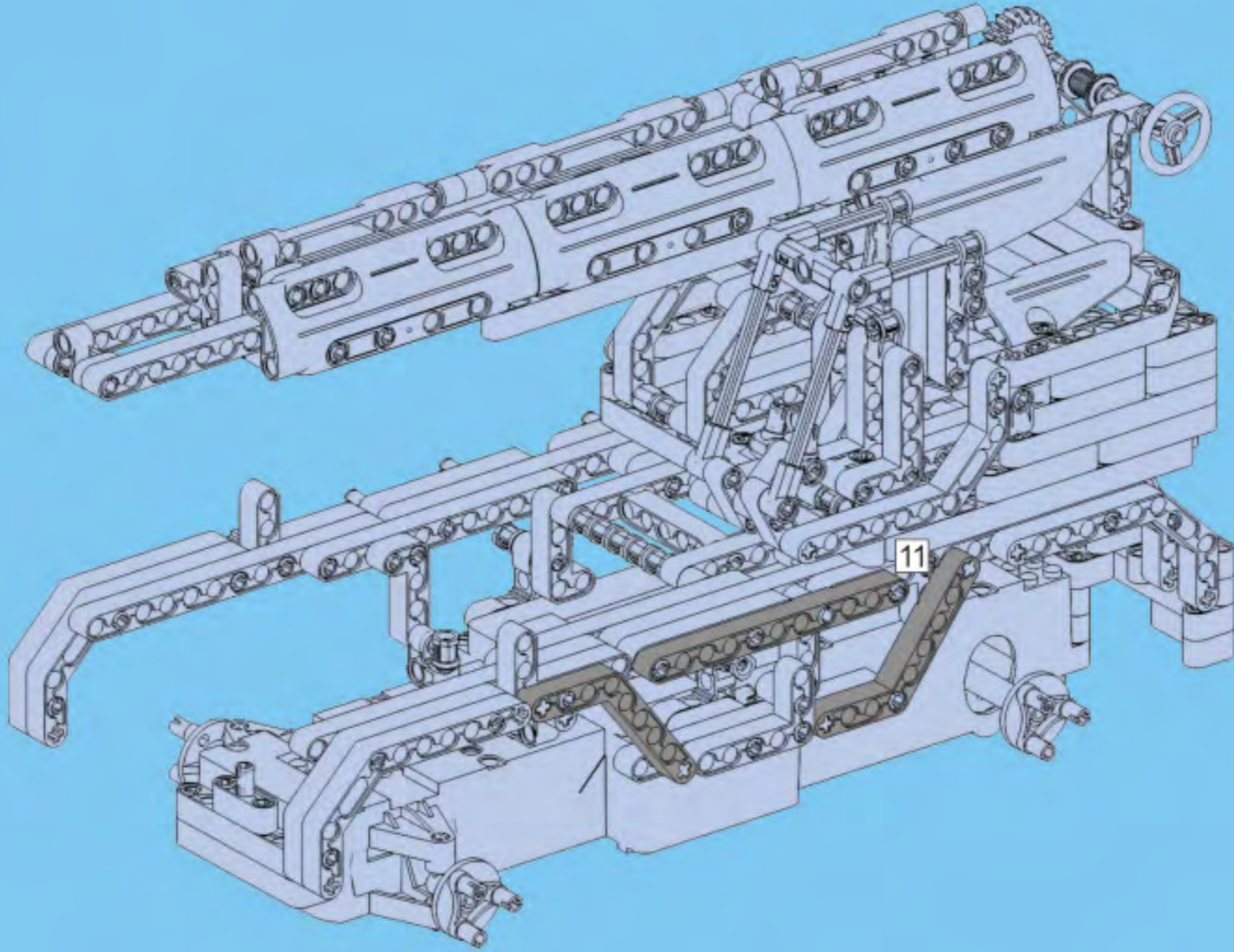


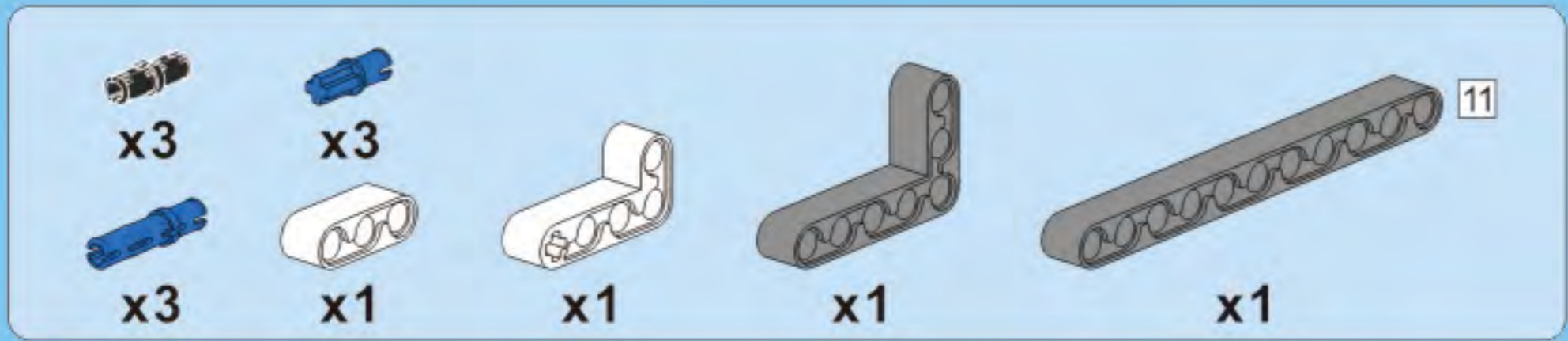
# B10





# B11





# B12



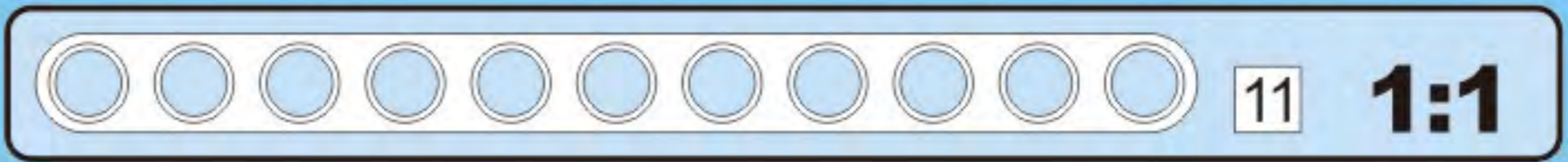
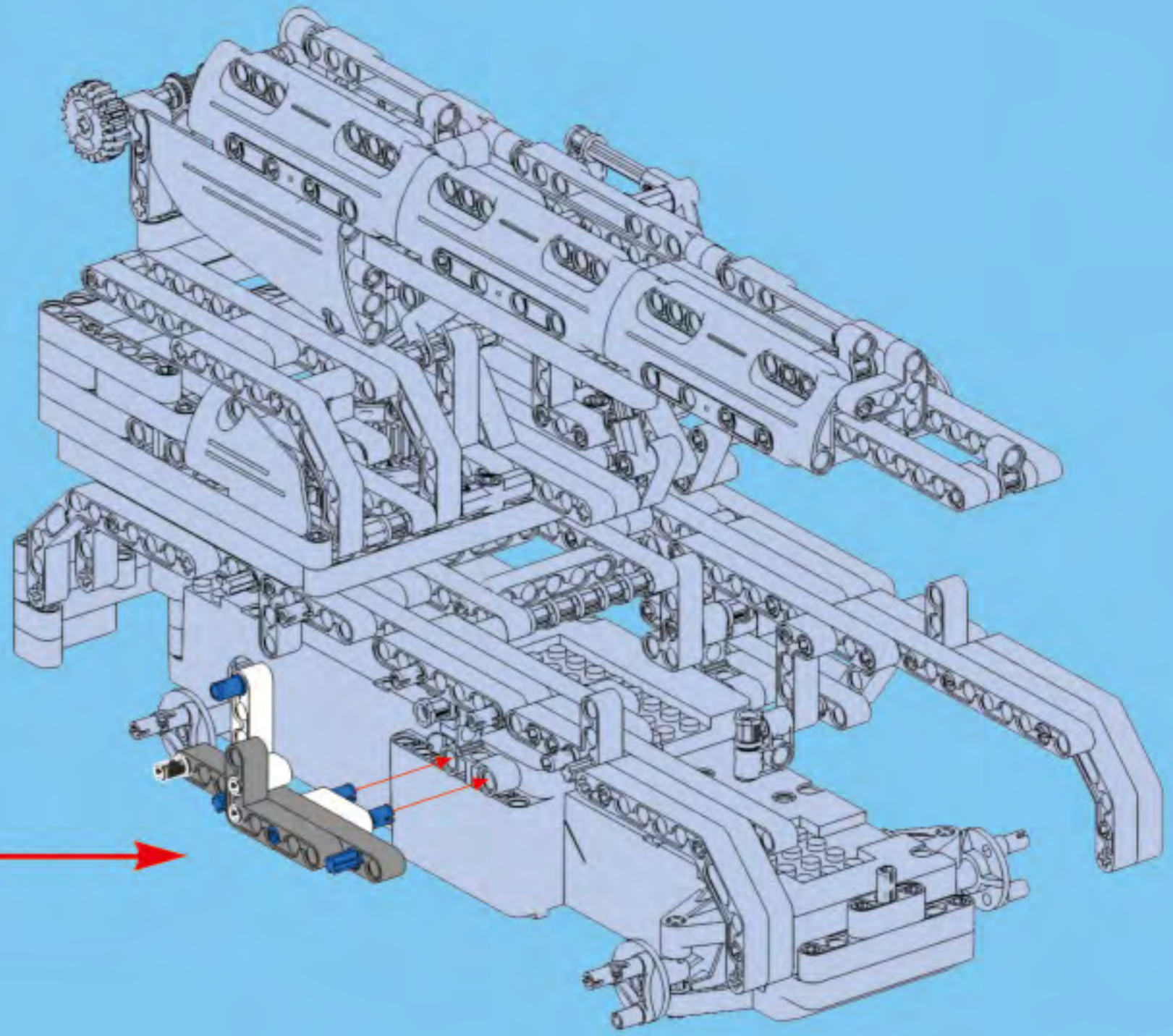
**1**

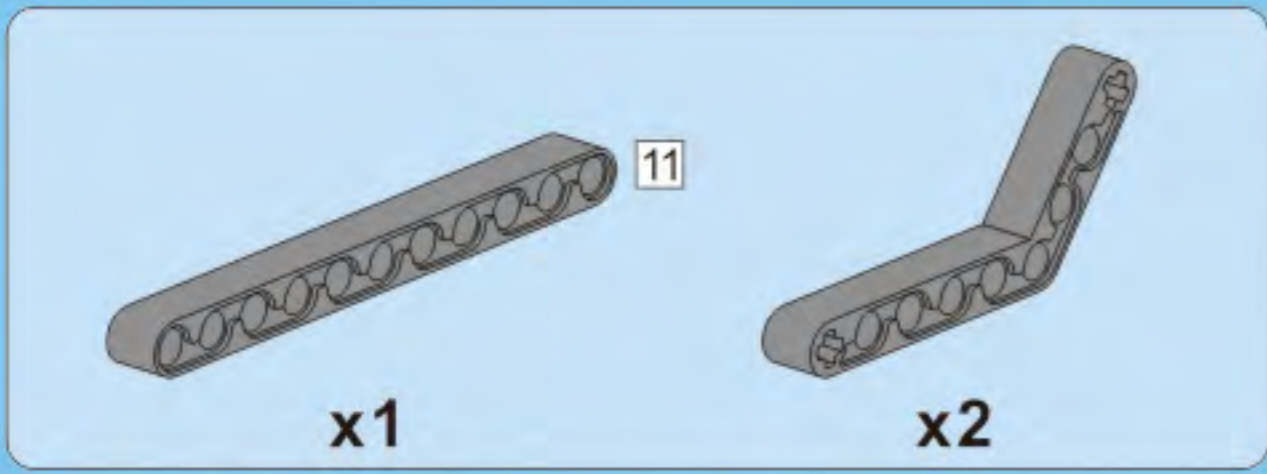
---

**2**

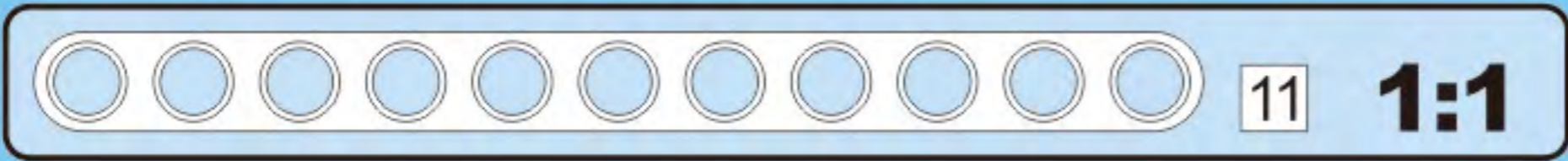
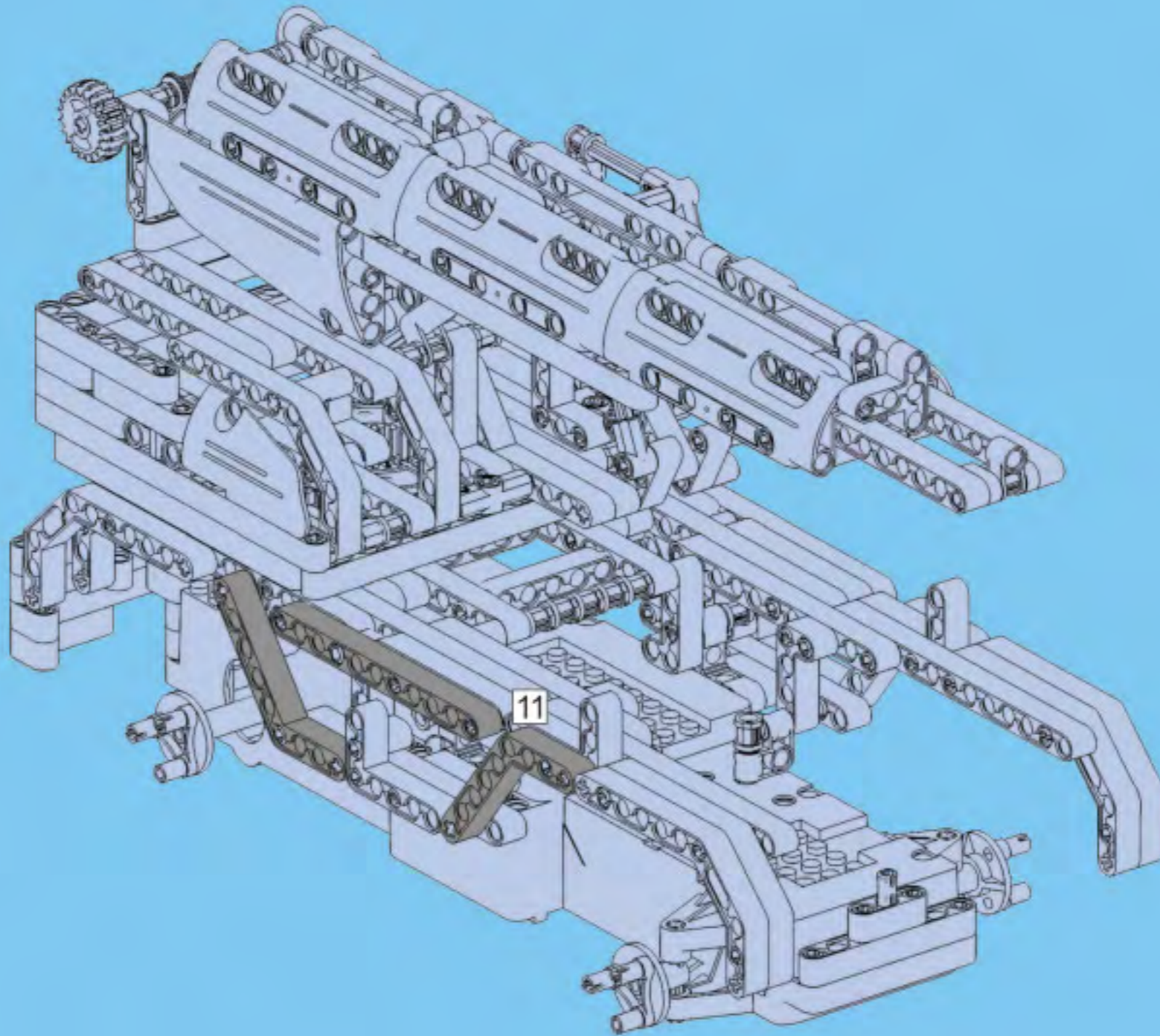
---

**3**

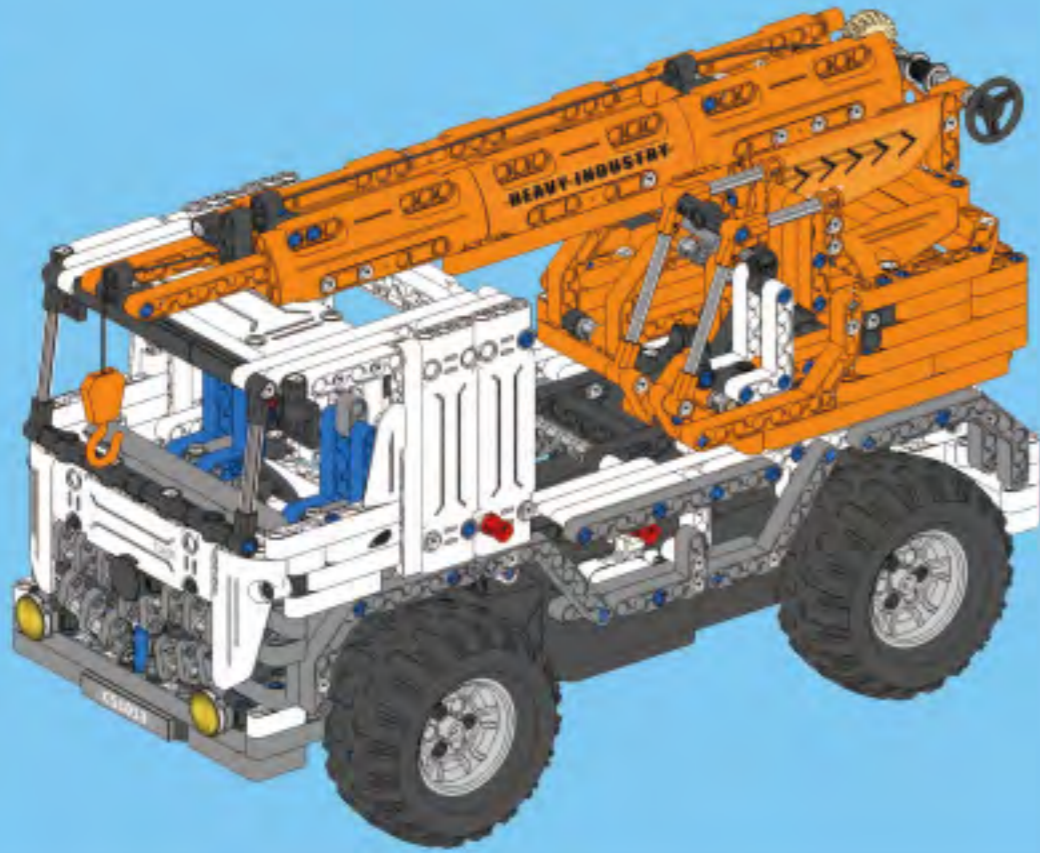




# B13



# C



x2



x1



x1



x2



5

x1



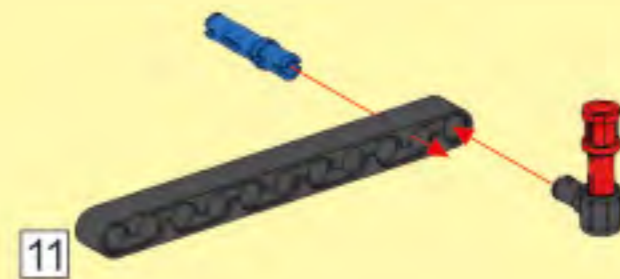
11

x2

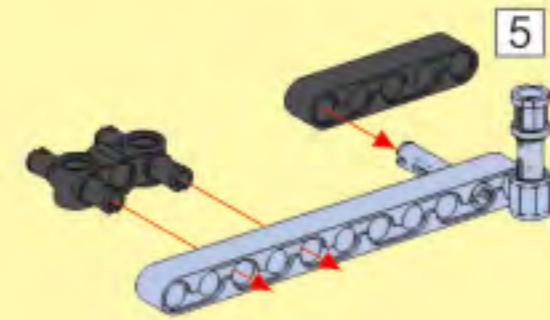
# C1



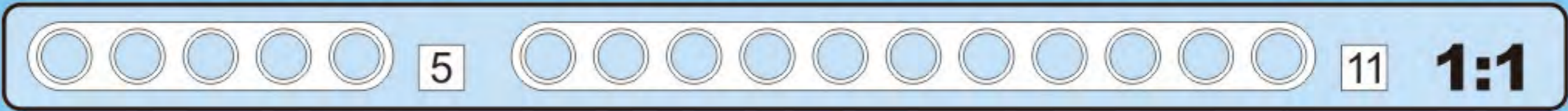
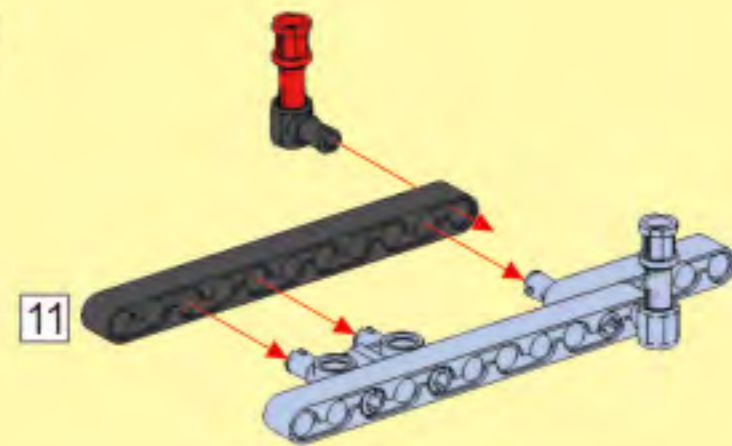
# 1



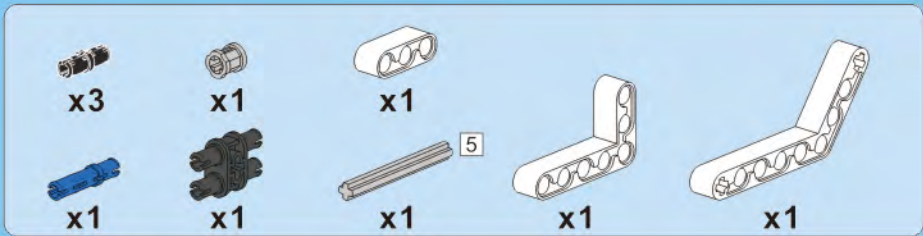
# 2



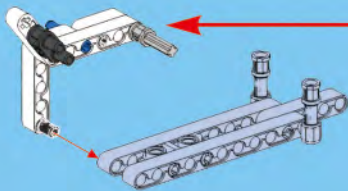
# 3



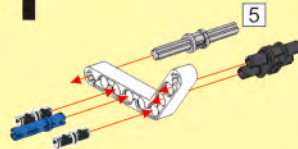




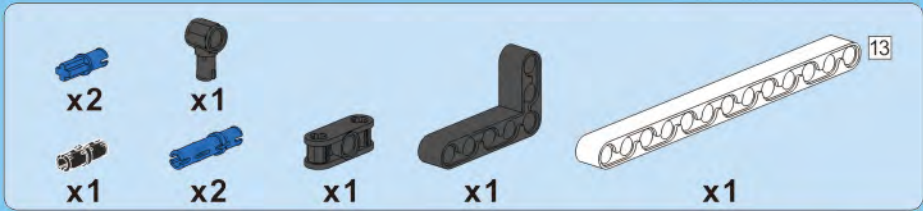
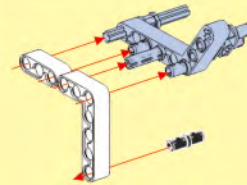
## C2



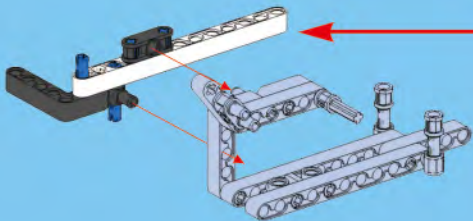
1



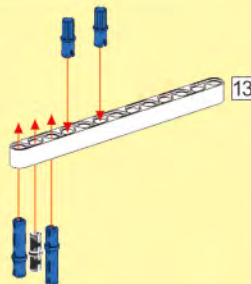
2



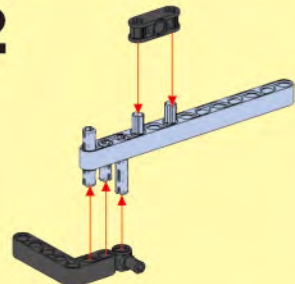
## C3

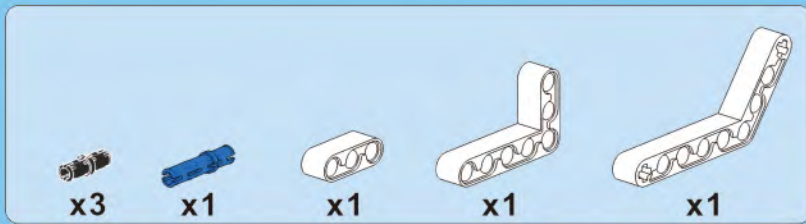


1

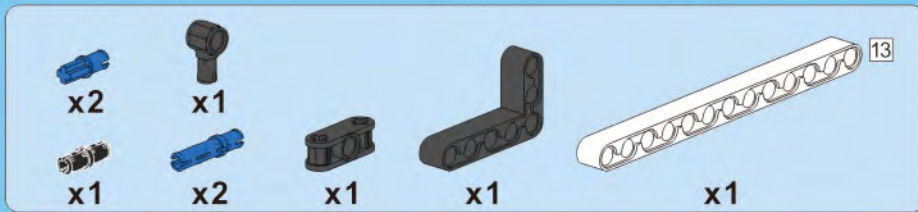
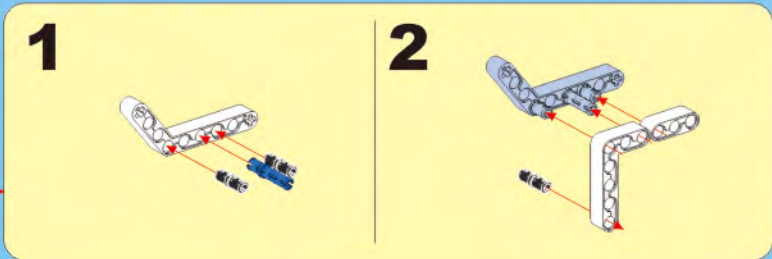
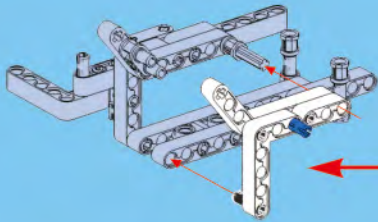


2

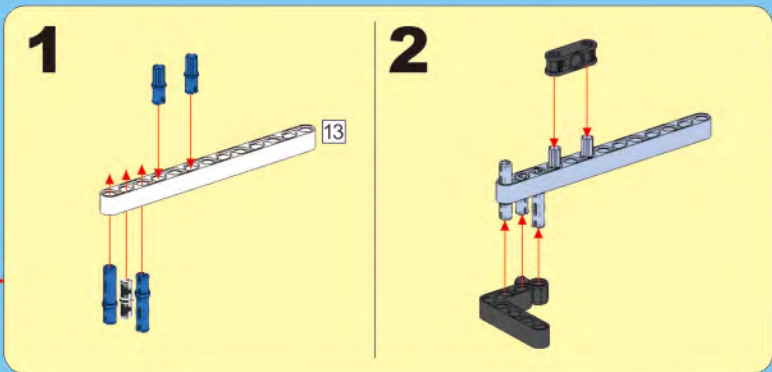
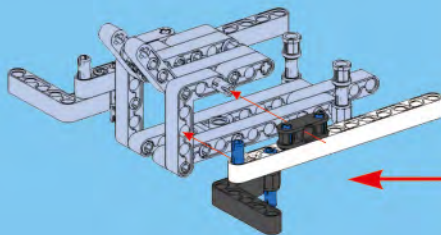


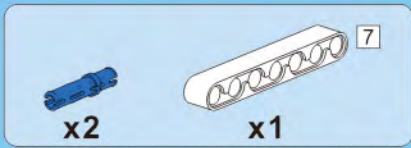


## C4

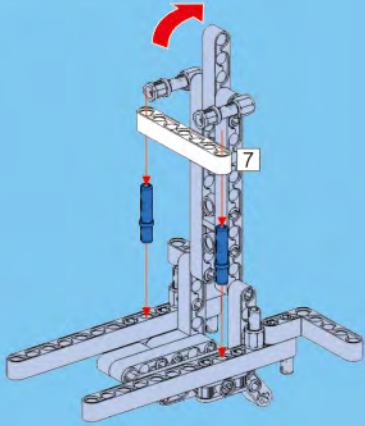


## C5

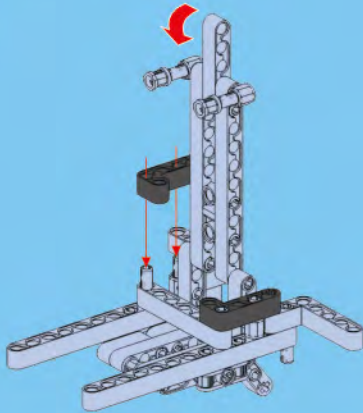




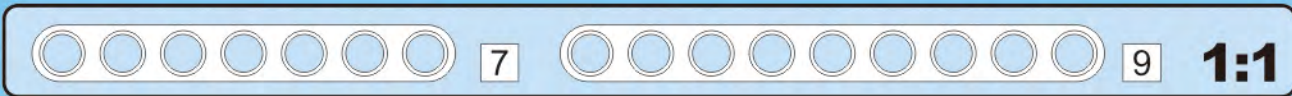
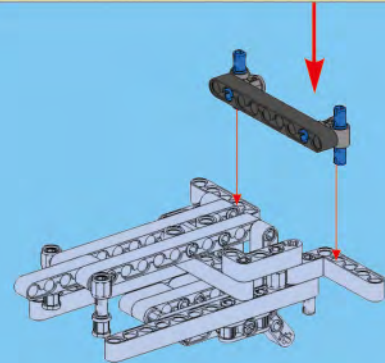
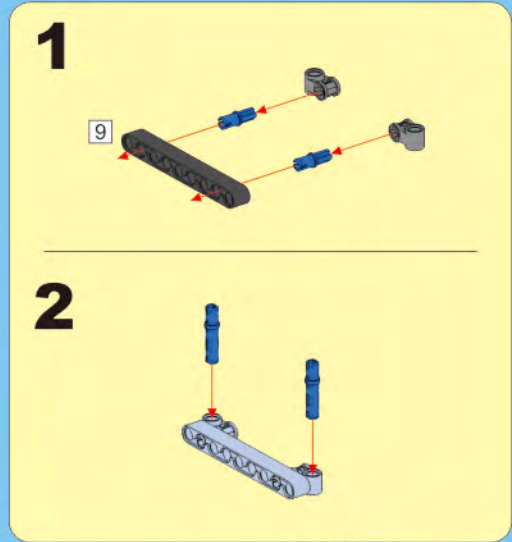
**C6**

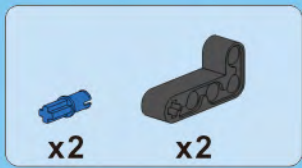


**C7**

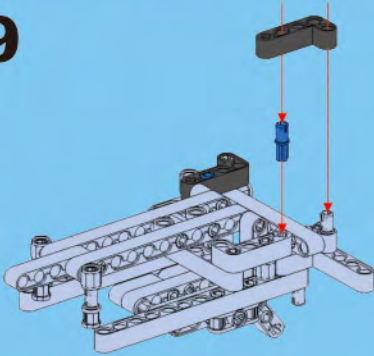


**C8**

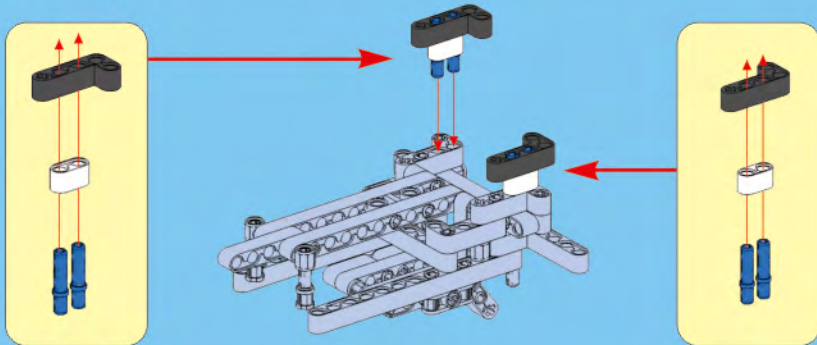




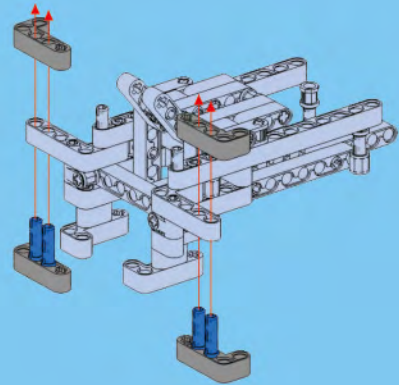
**C9**

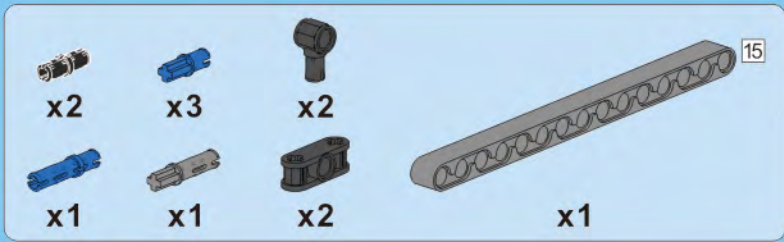


**C10**

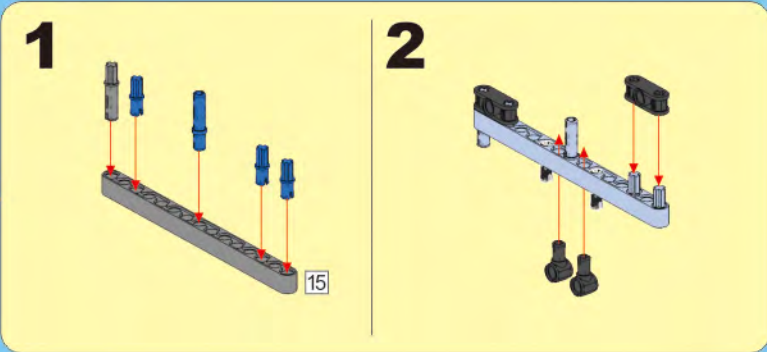
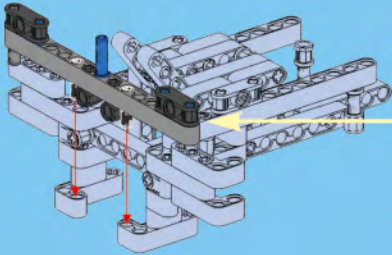


**C11**

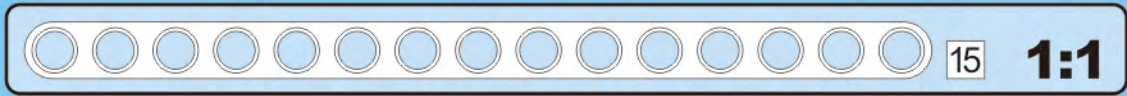
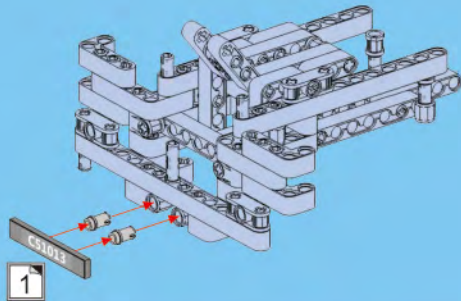


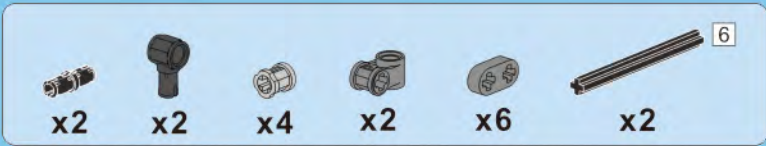


# C12

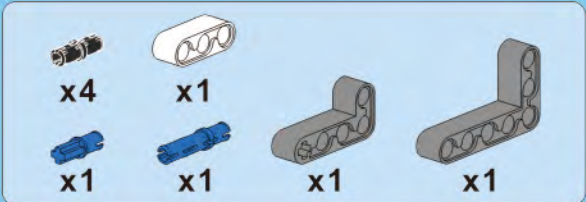
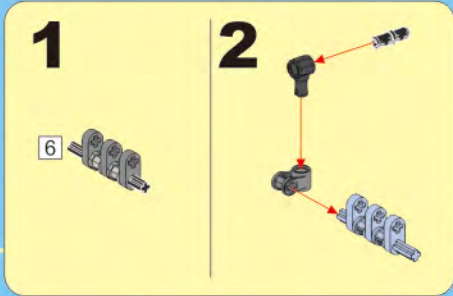
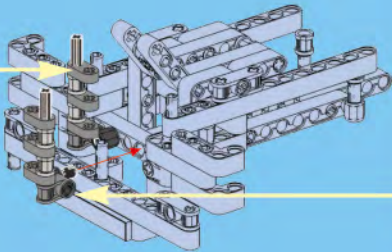
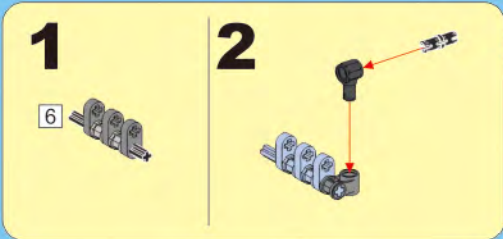


# C13

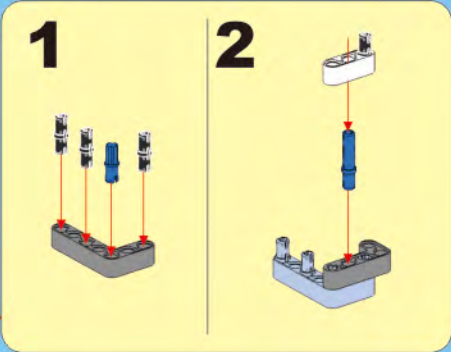
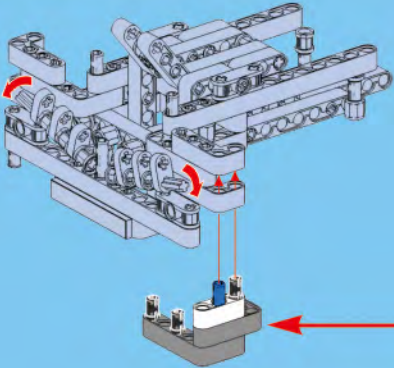


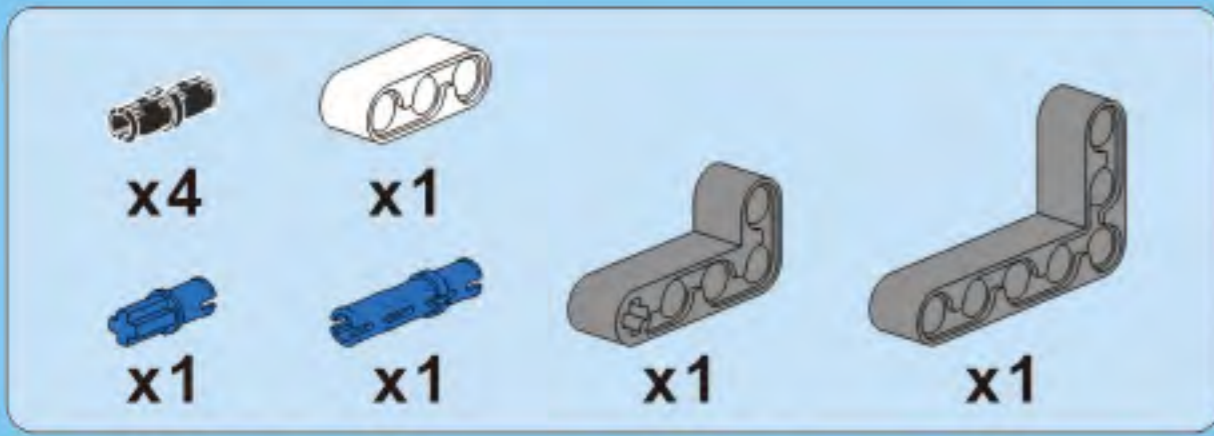


# C14

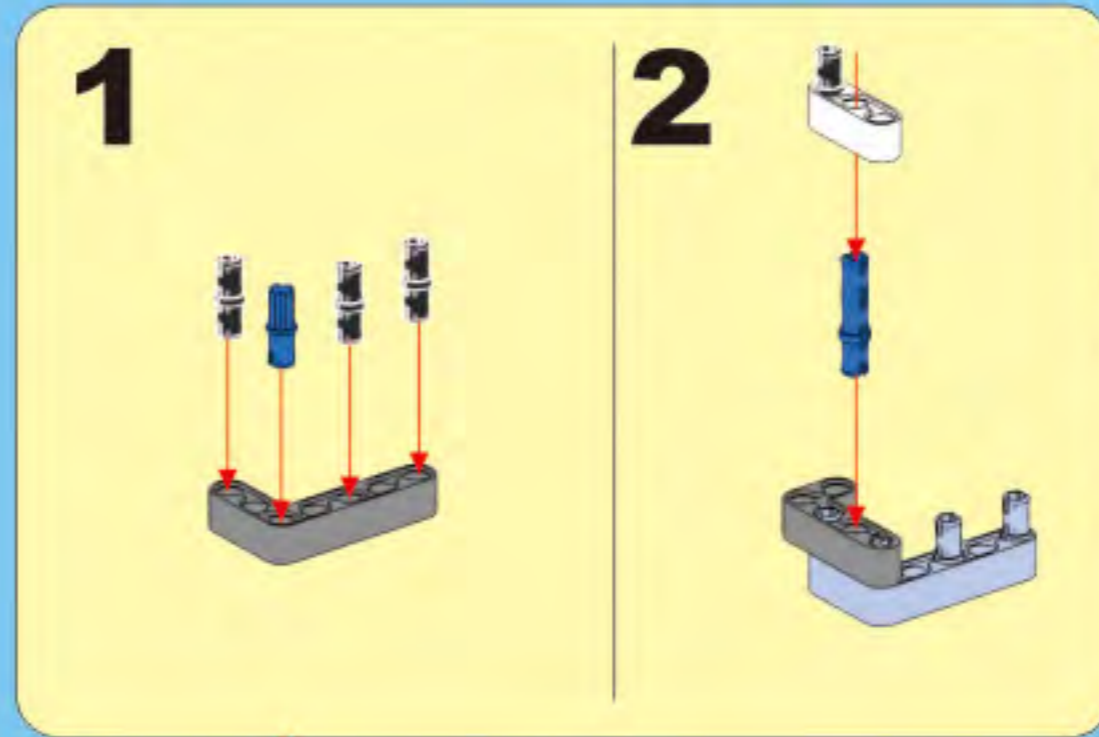
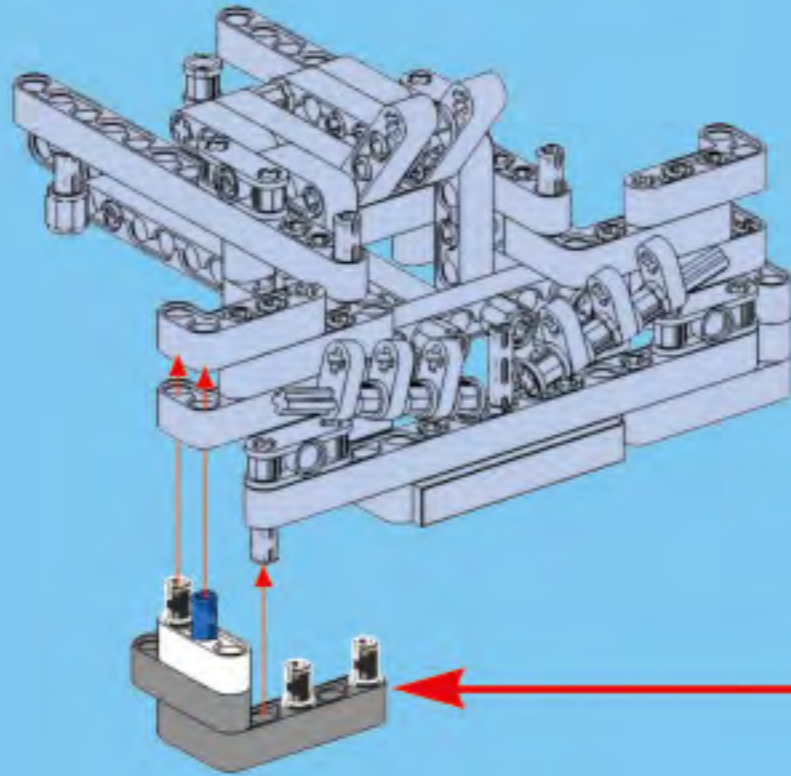


# C15

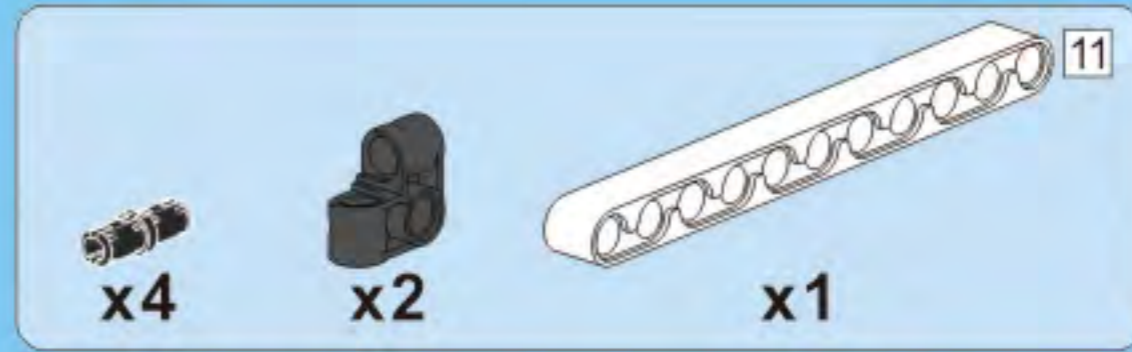
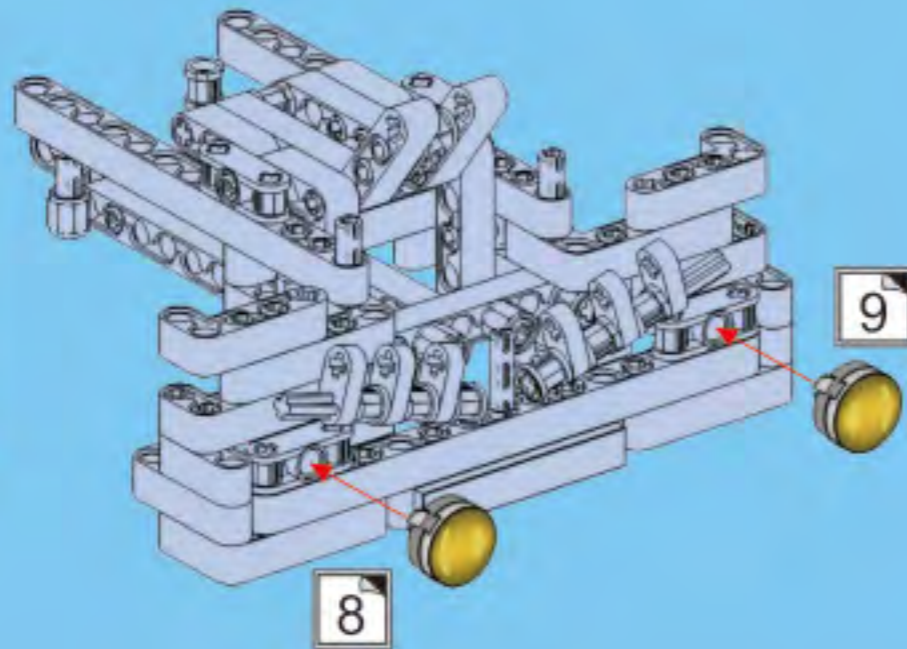
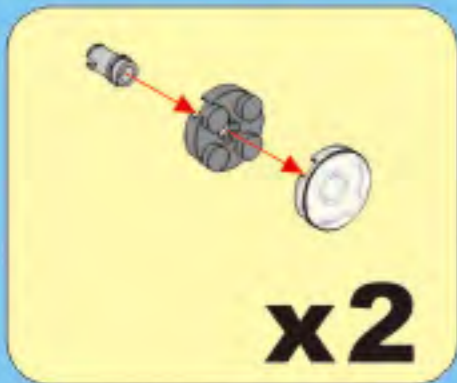




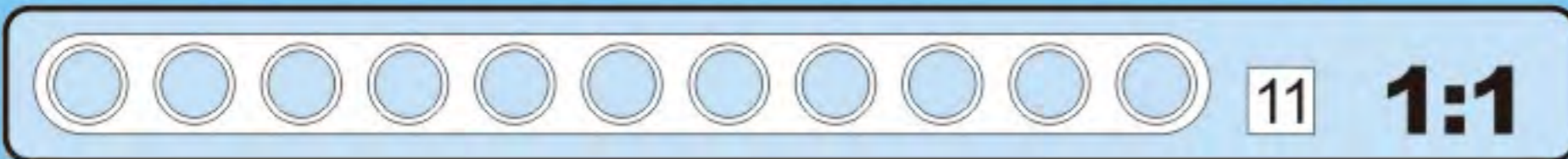
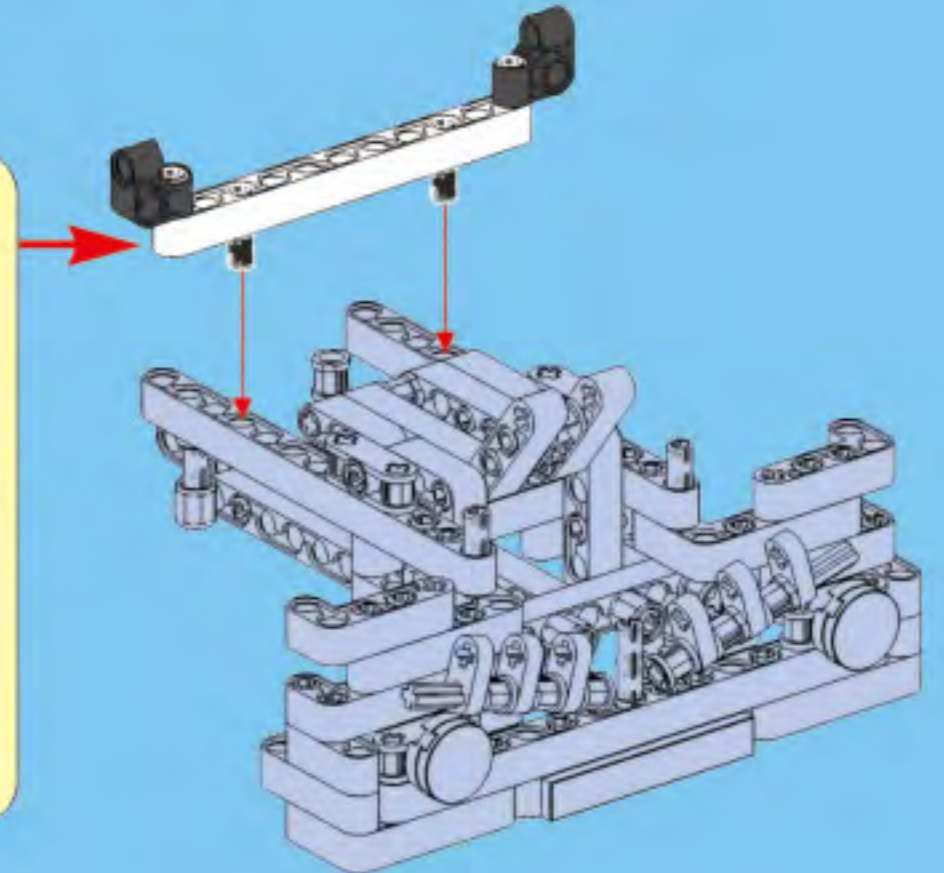
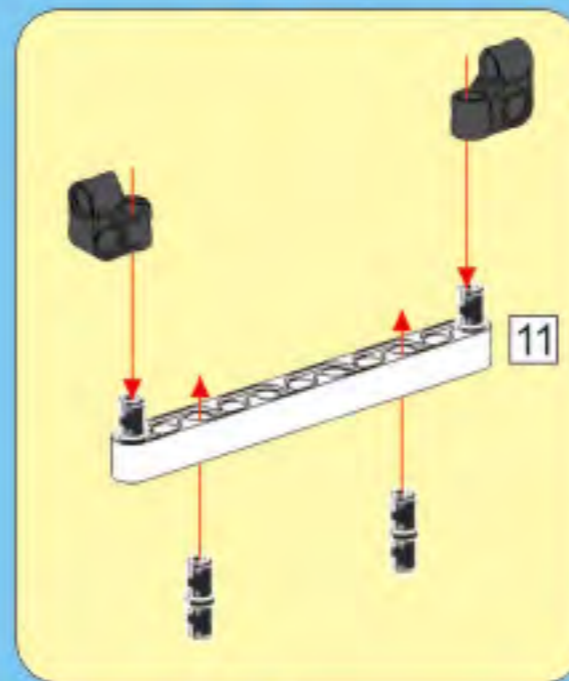
# C16

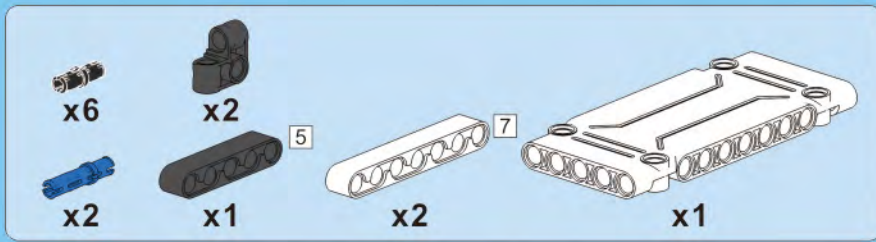


# C17

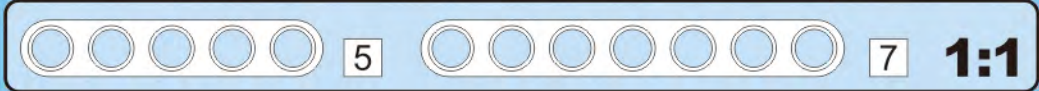
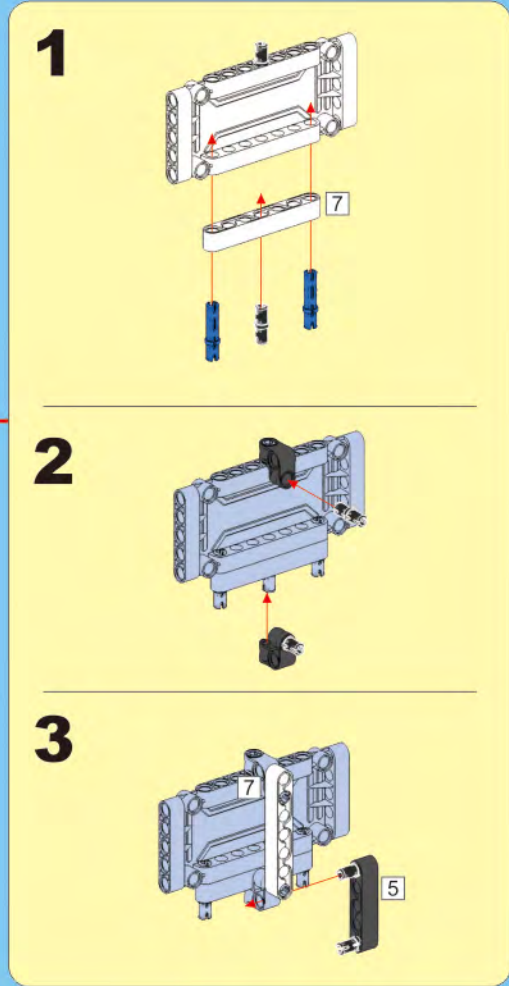
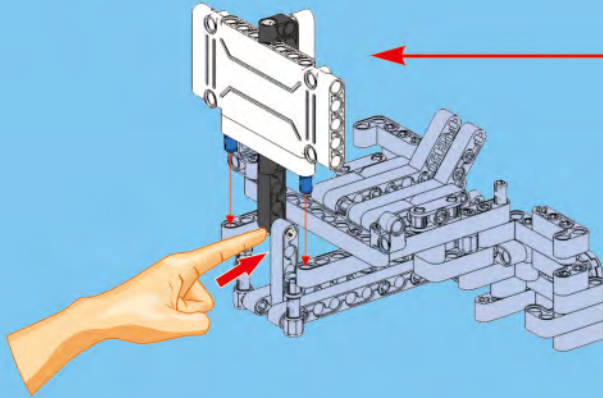


# C18

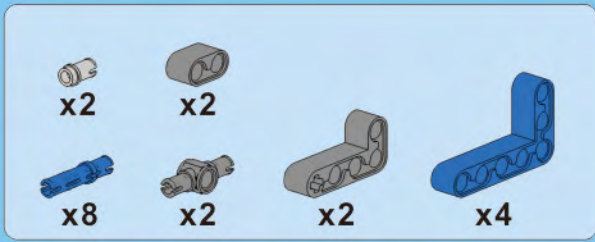




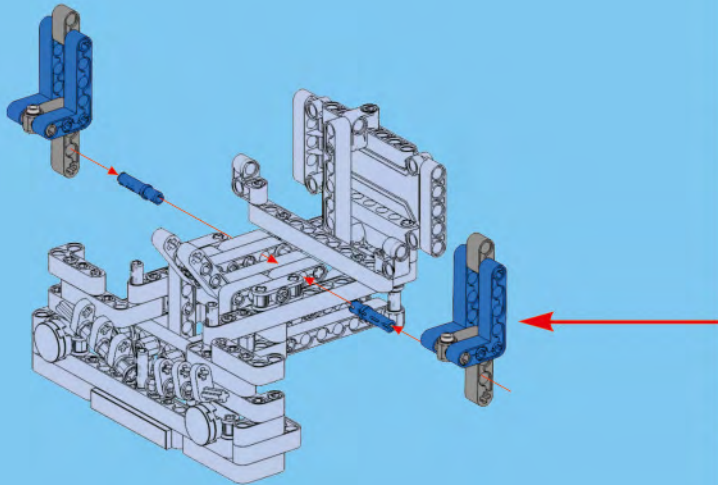
# C19



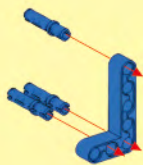




# C20

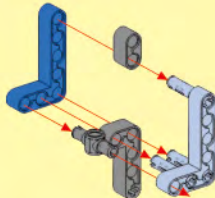


**1**



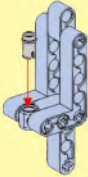

---

**2**

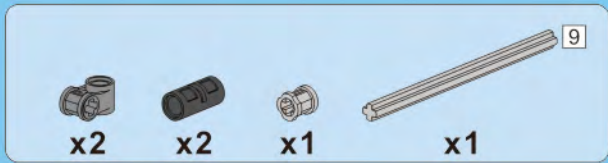



---

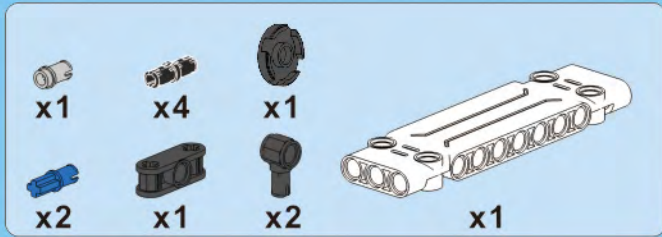
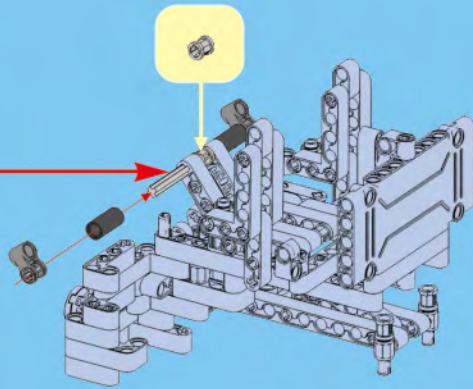
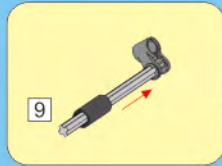
**3**



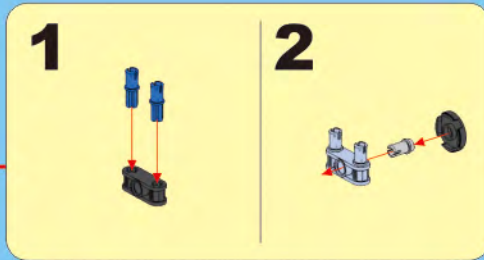
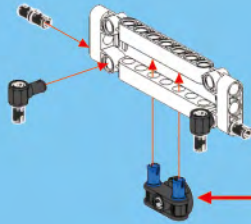
**x2**



# C21

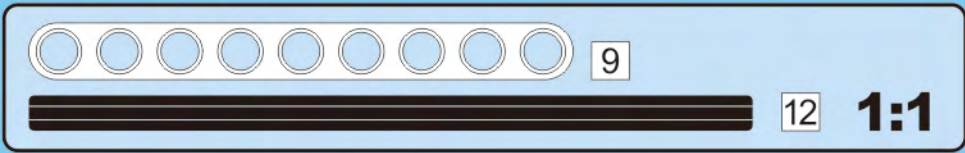
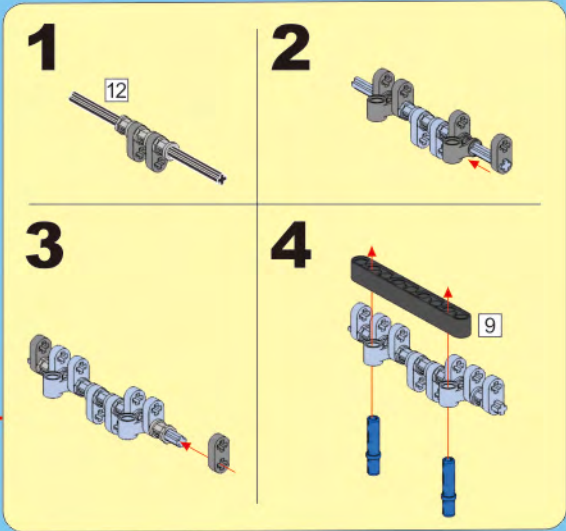
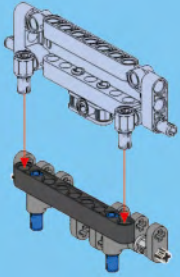


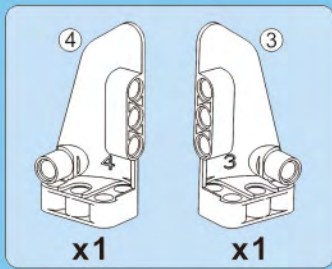
# C22



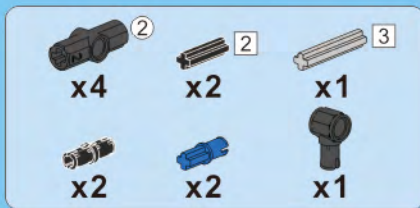
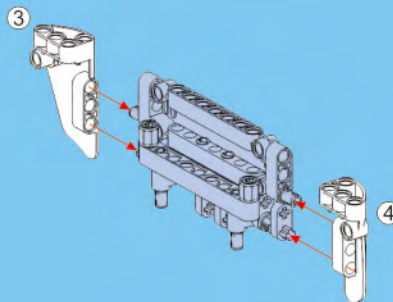


# C23

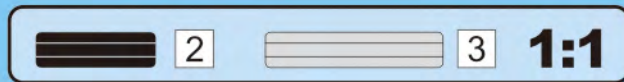
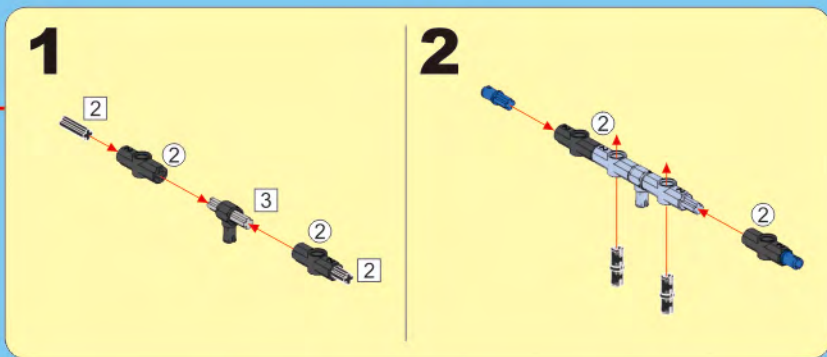
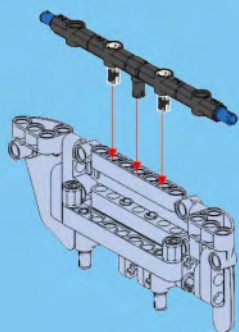


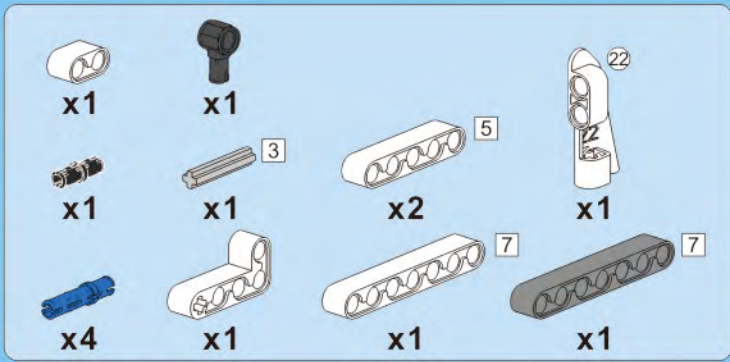


# C24

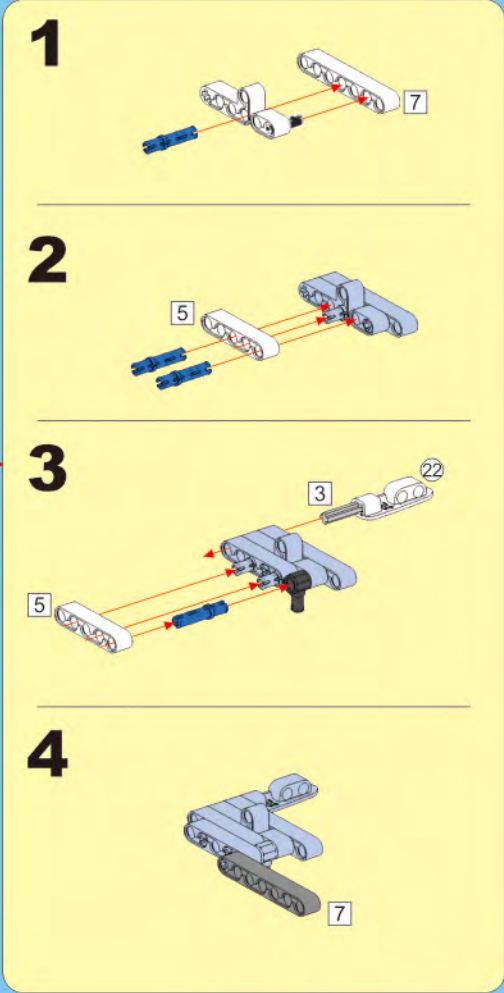
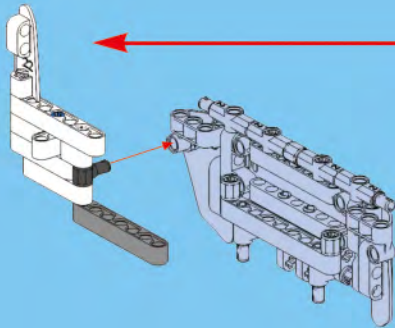


# C25



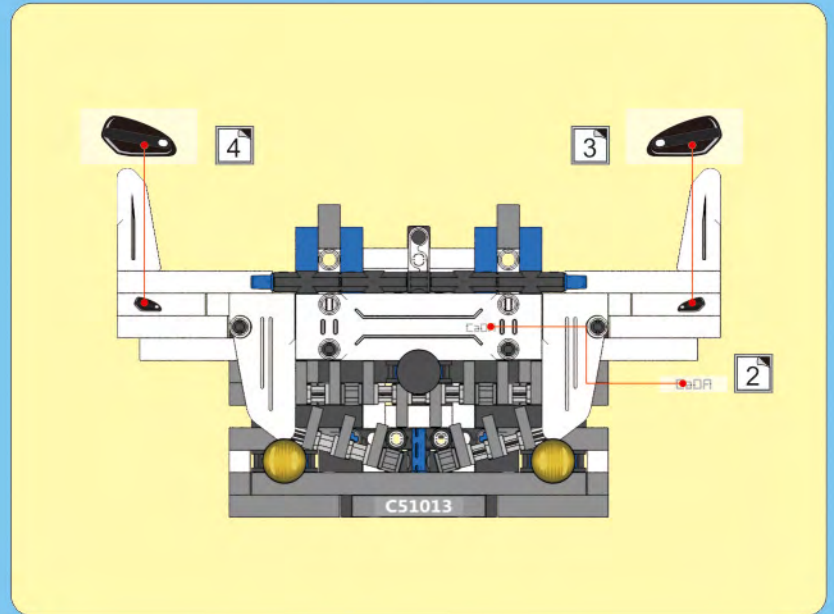
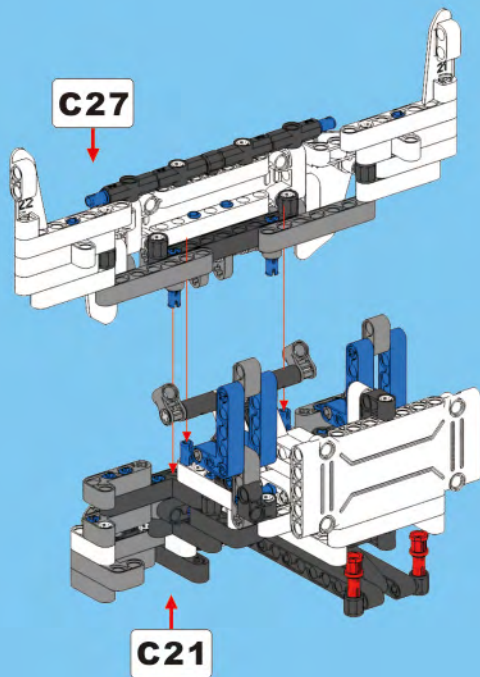


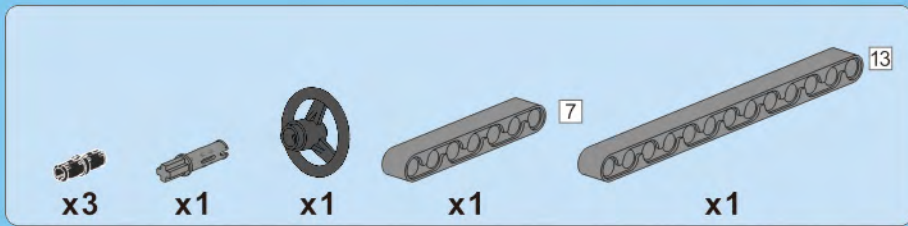
# C26



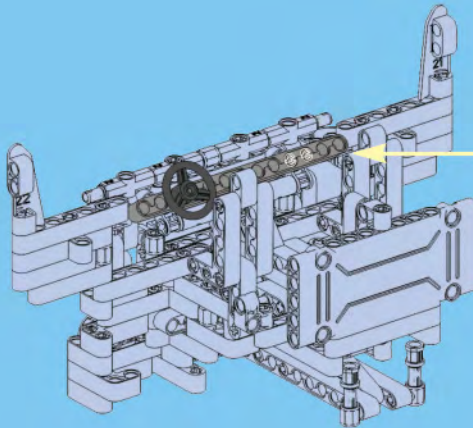


# C28

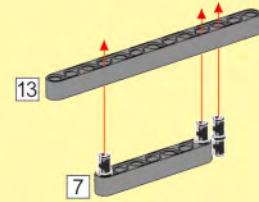




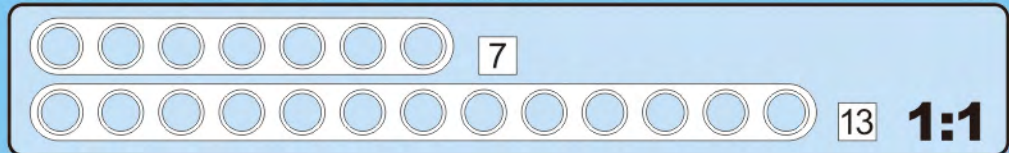
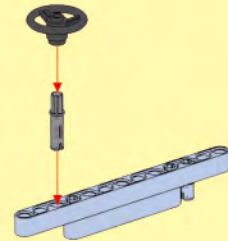
# C29



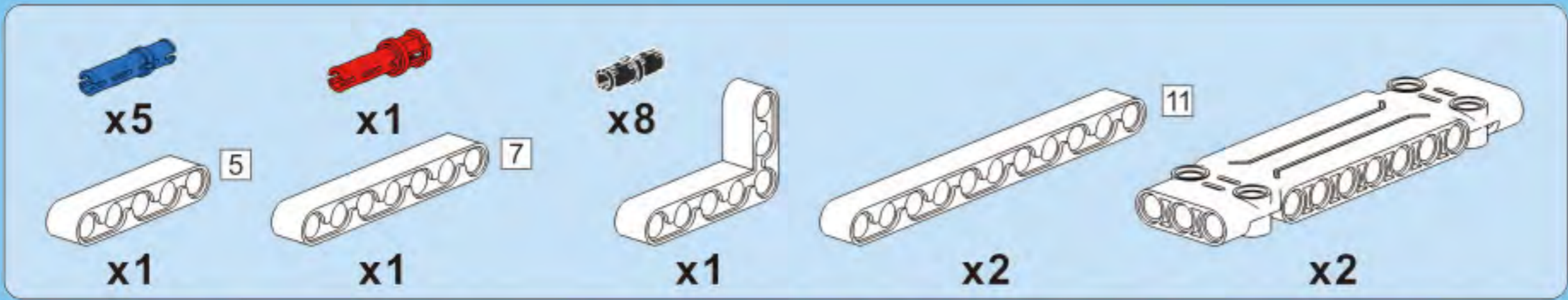
**1**



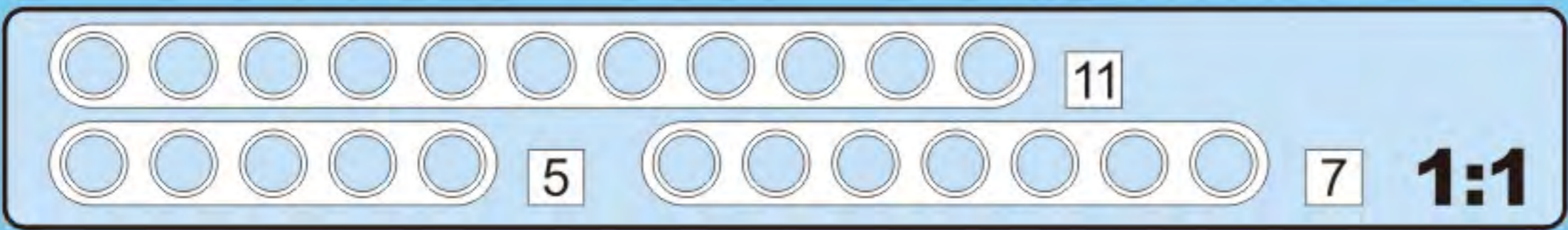
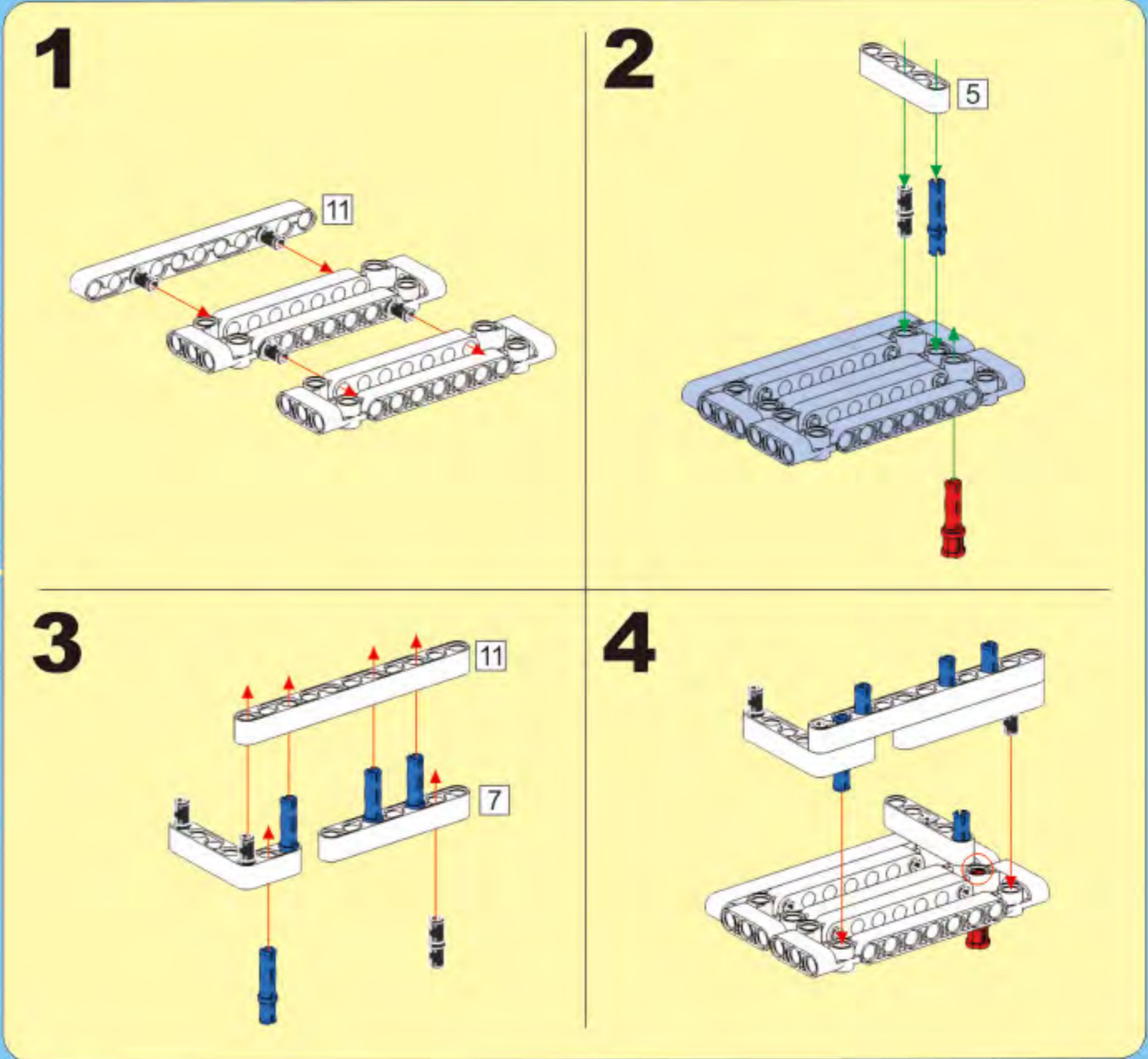
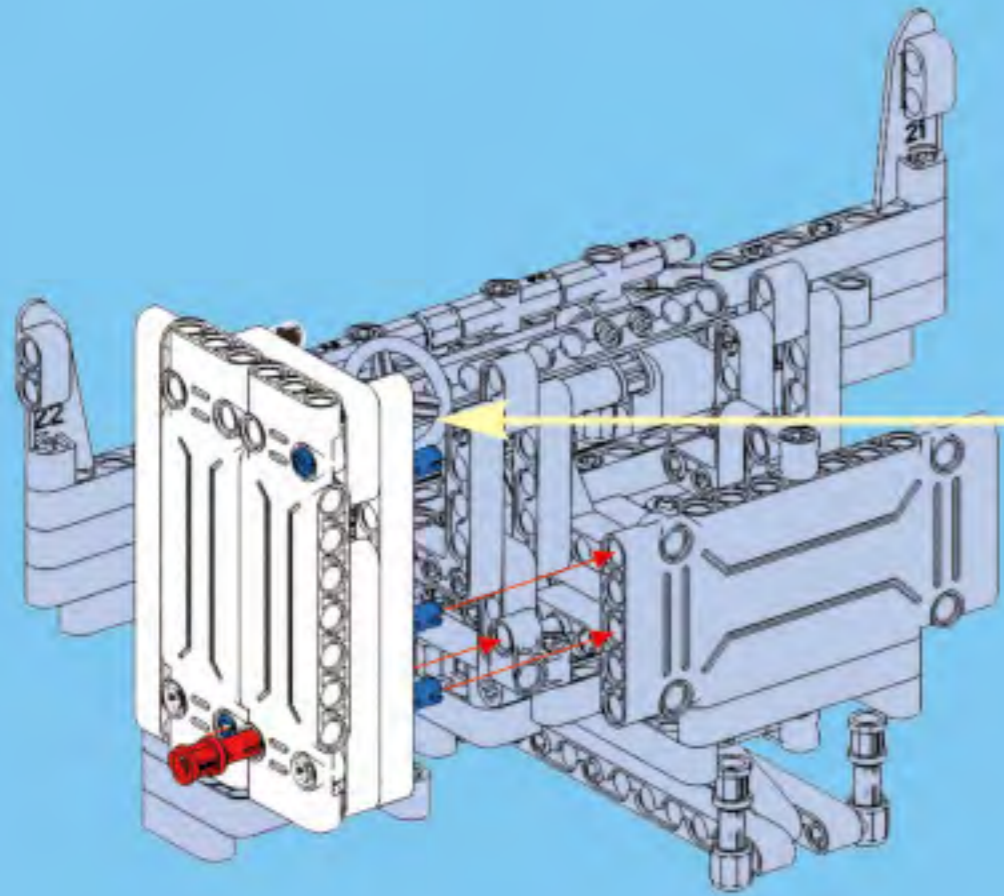
**2**

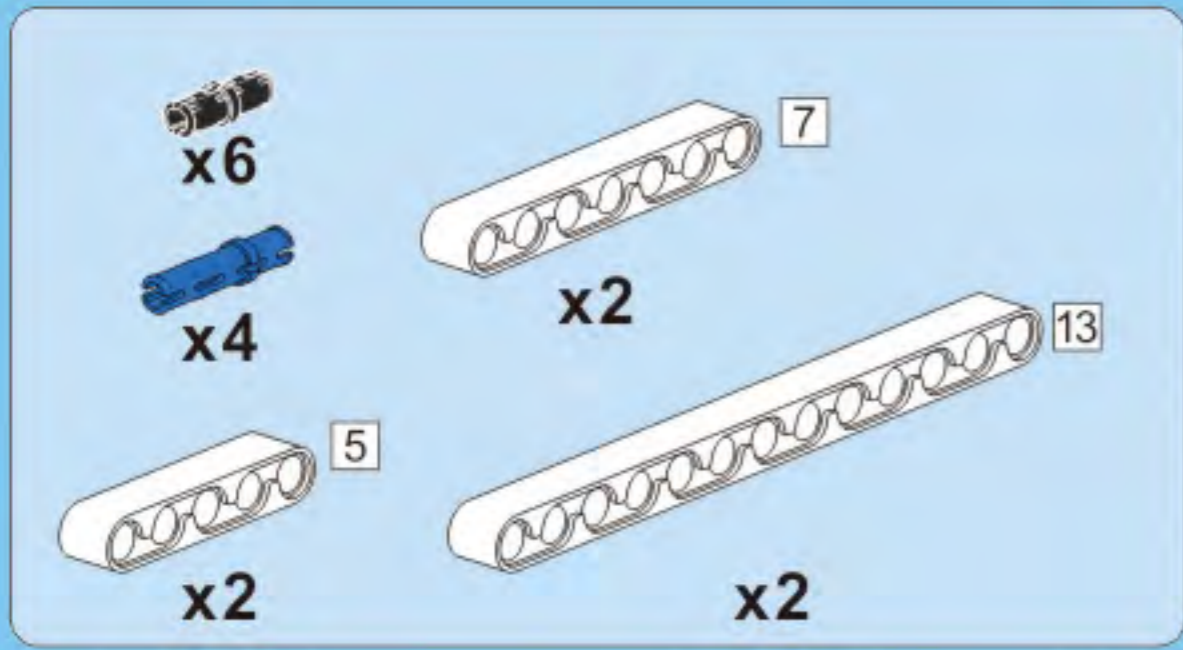




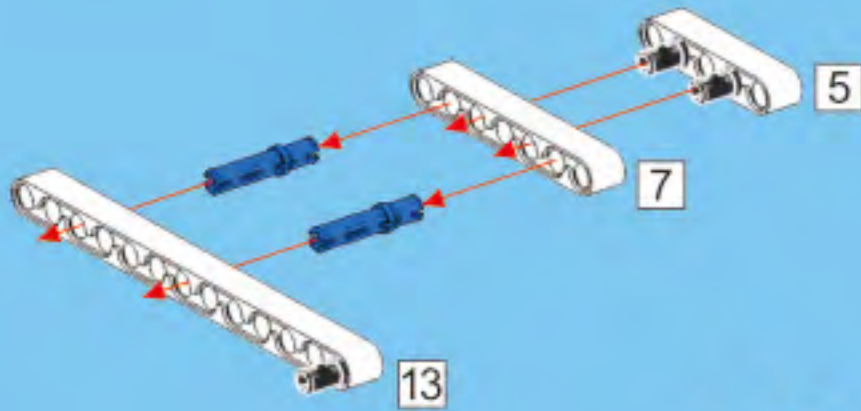


# C30

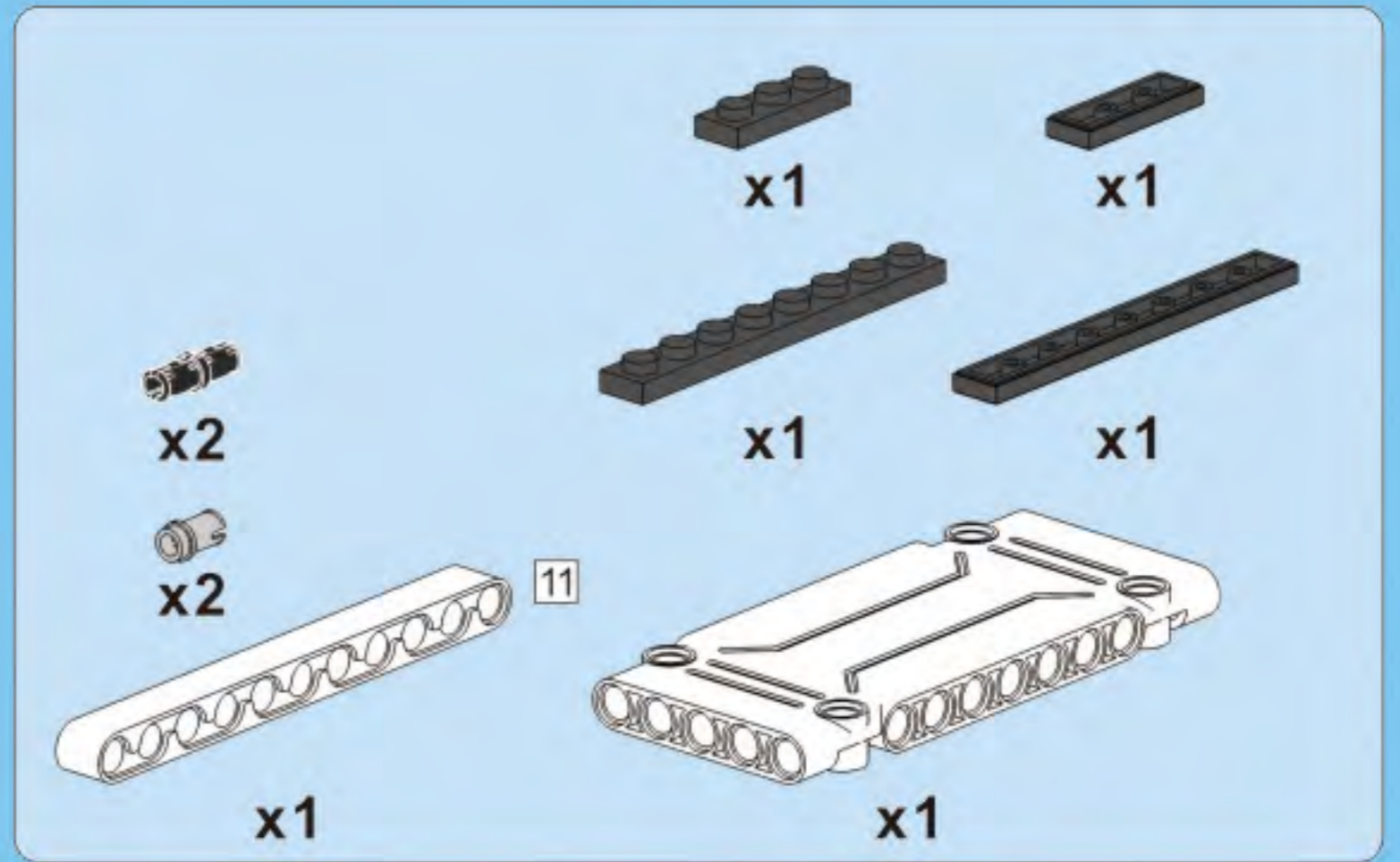




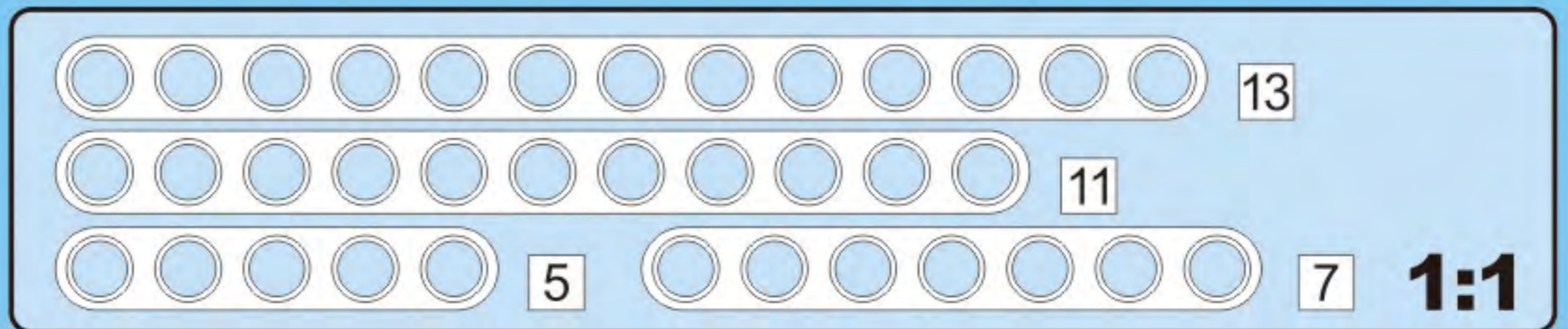
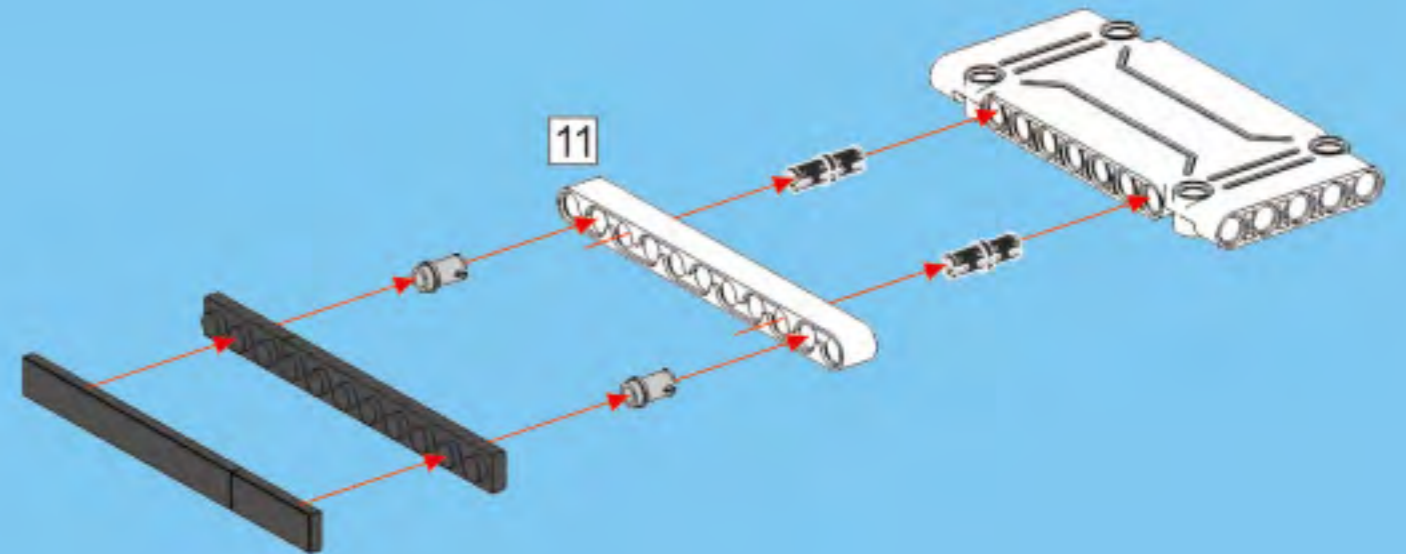
# C31

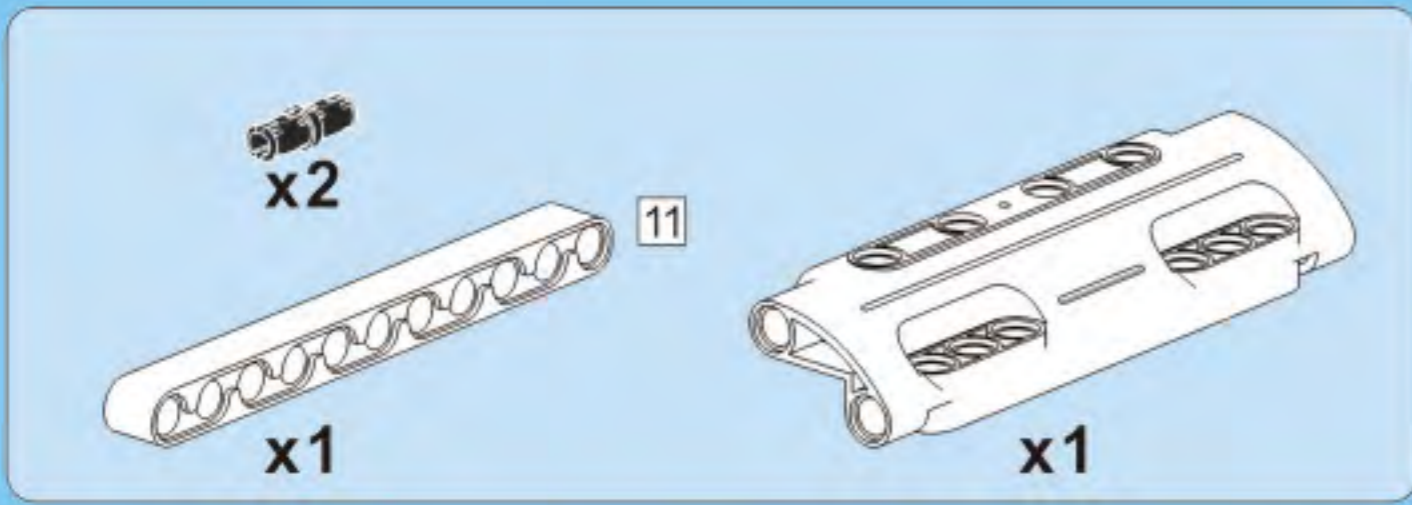


**x2**

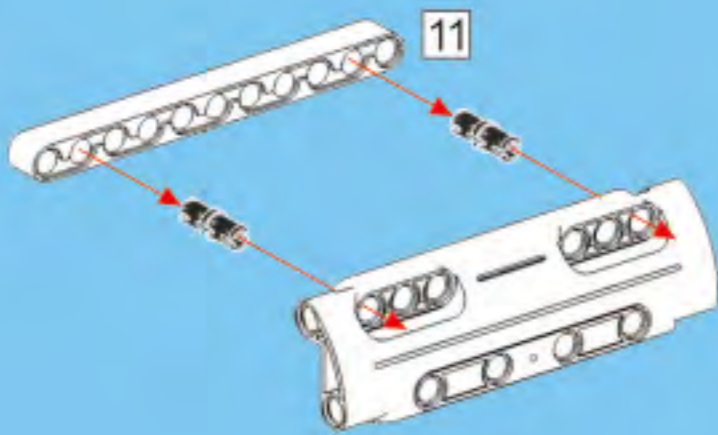


# C32

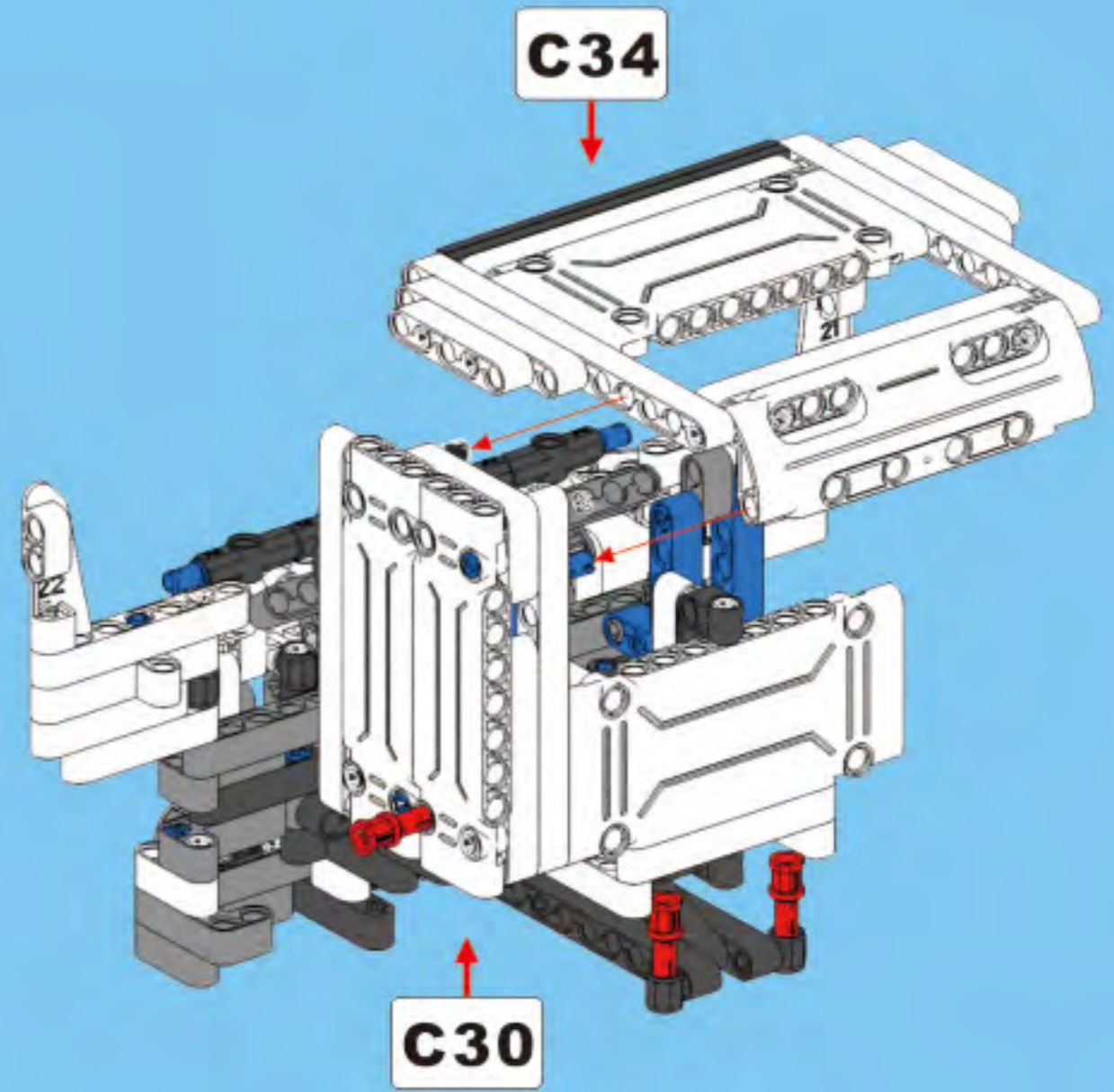




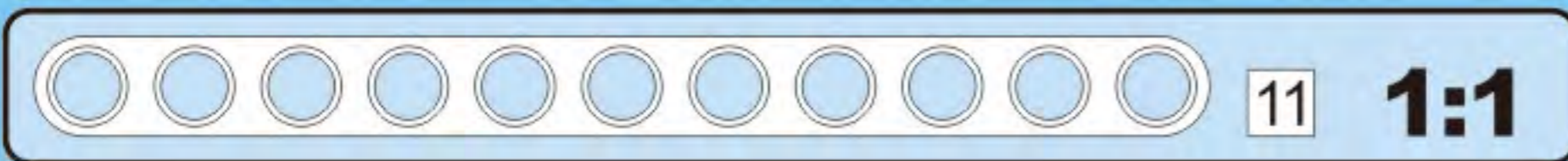
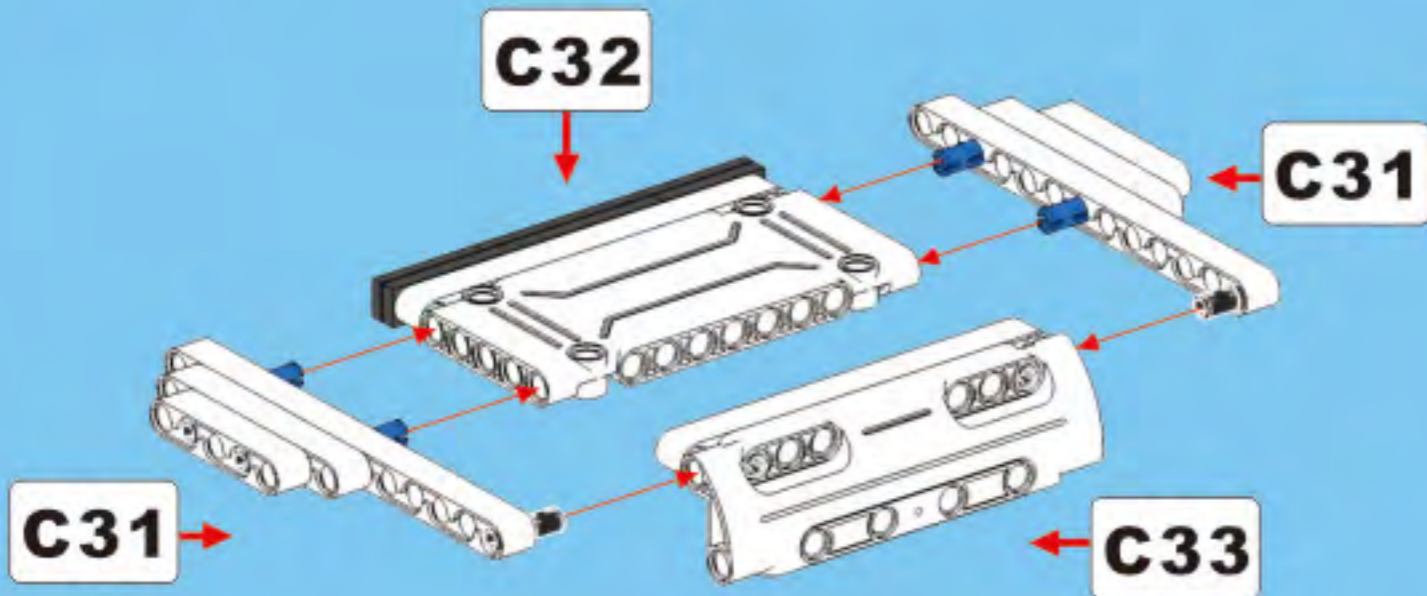
# C33

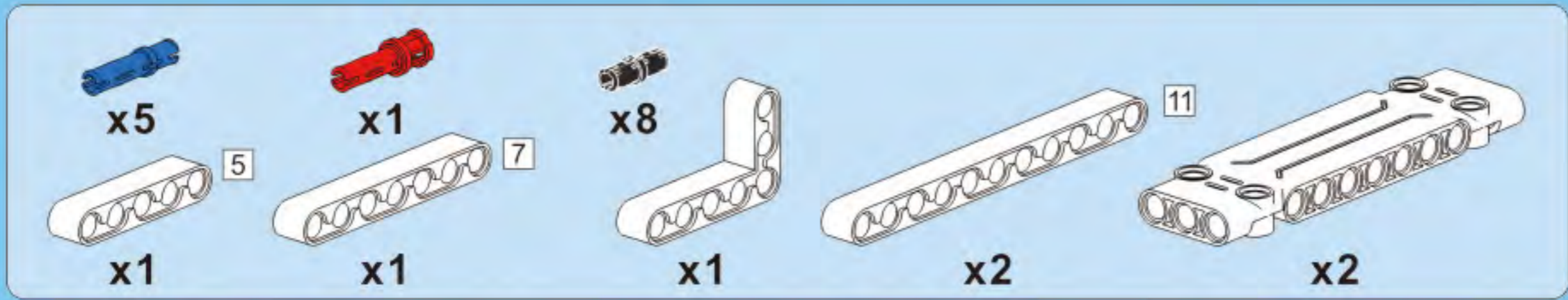


# C35

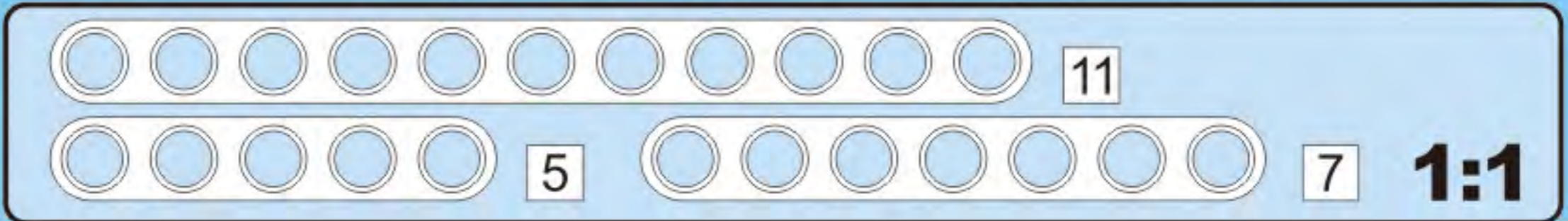
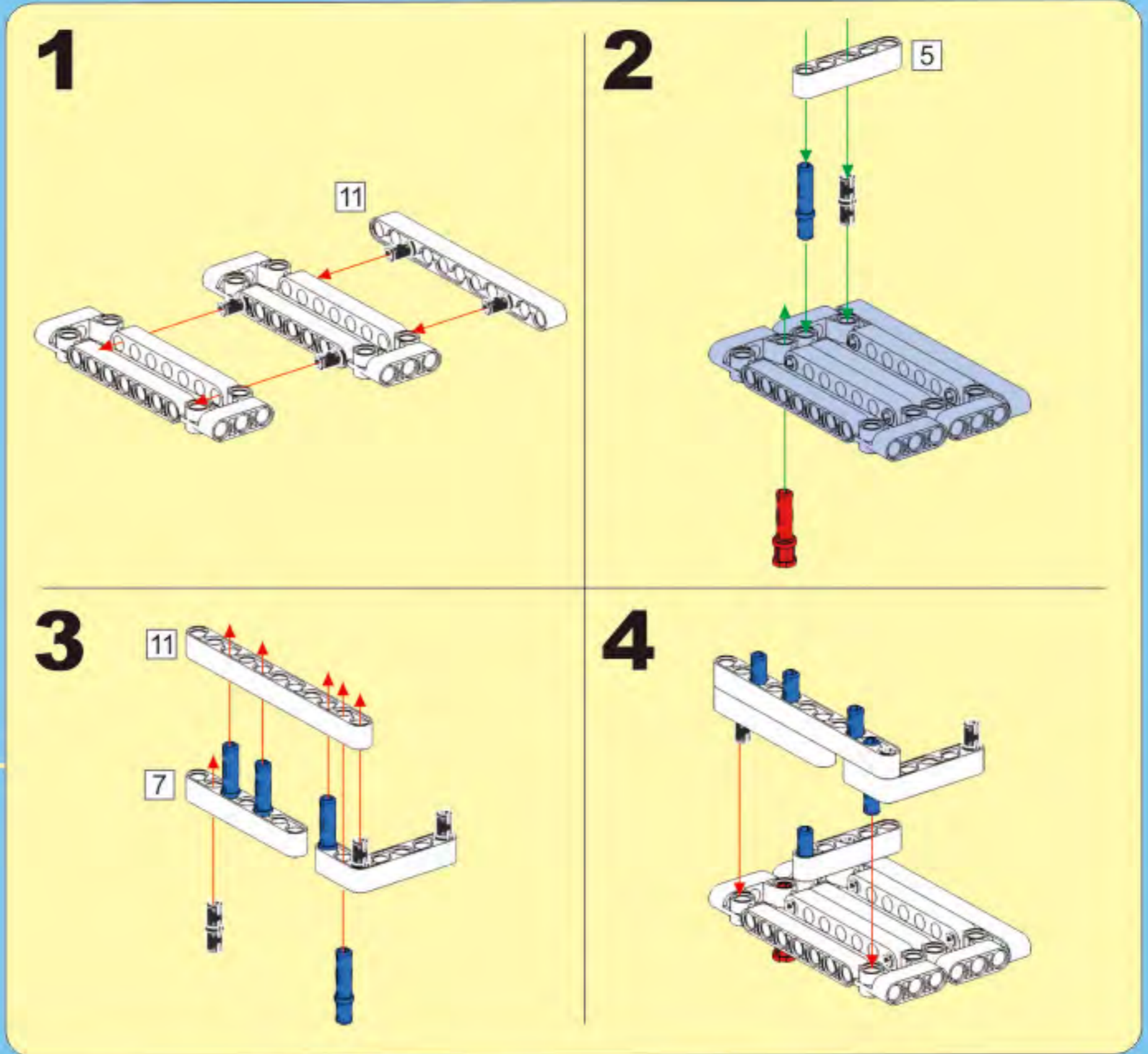
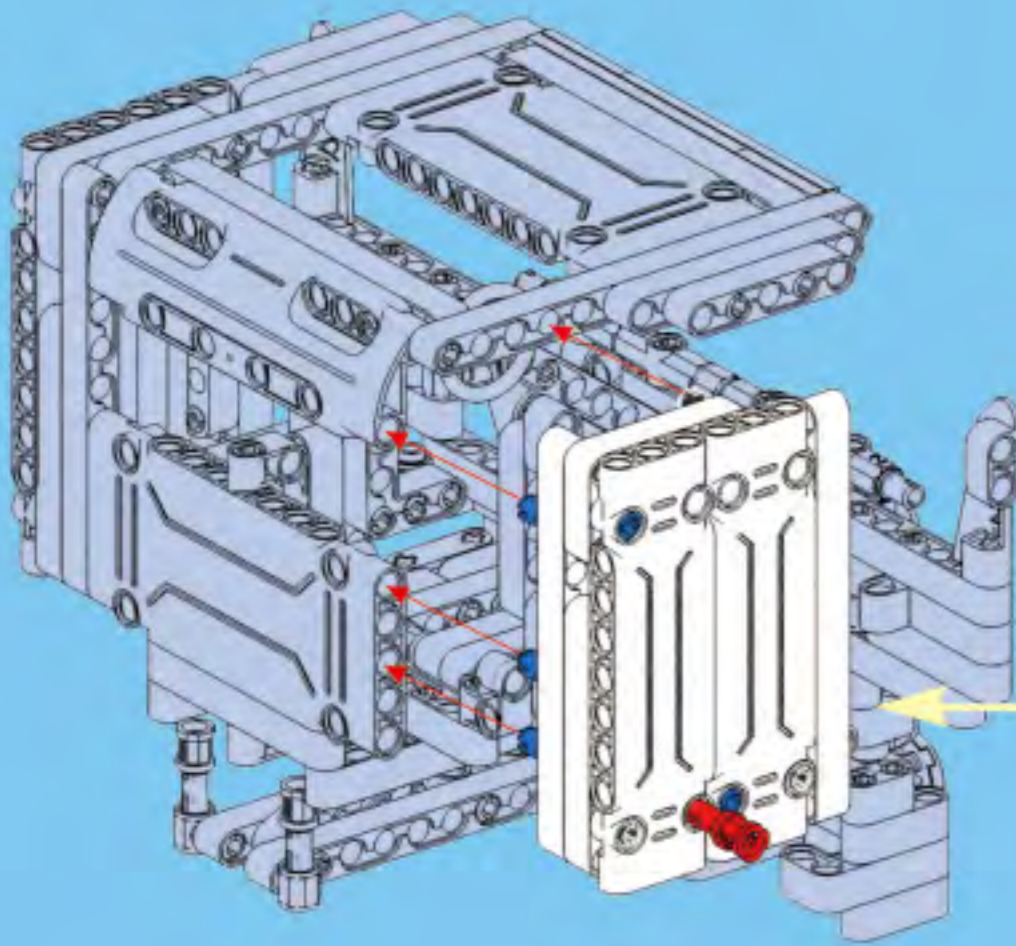


# C34



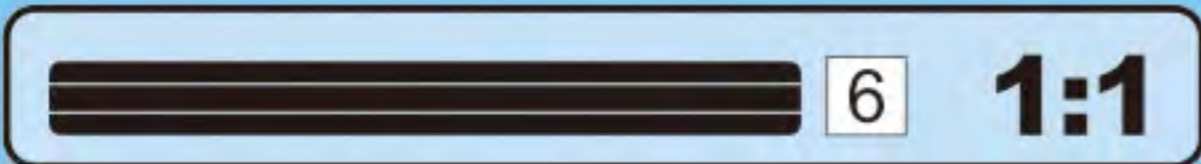
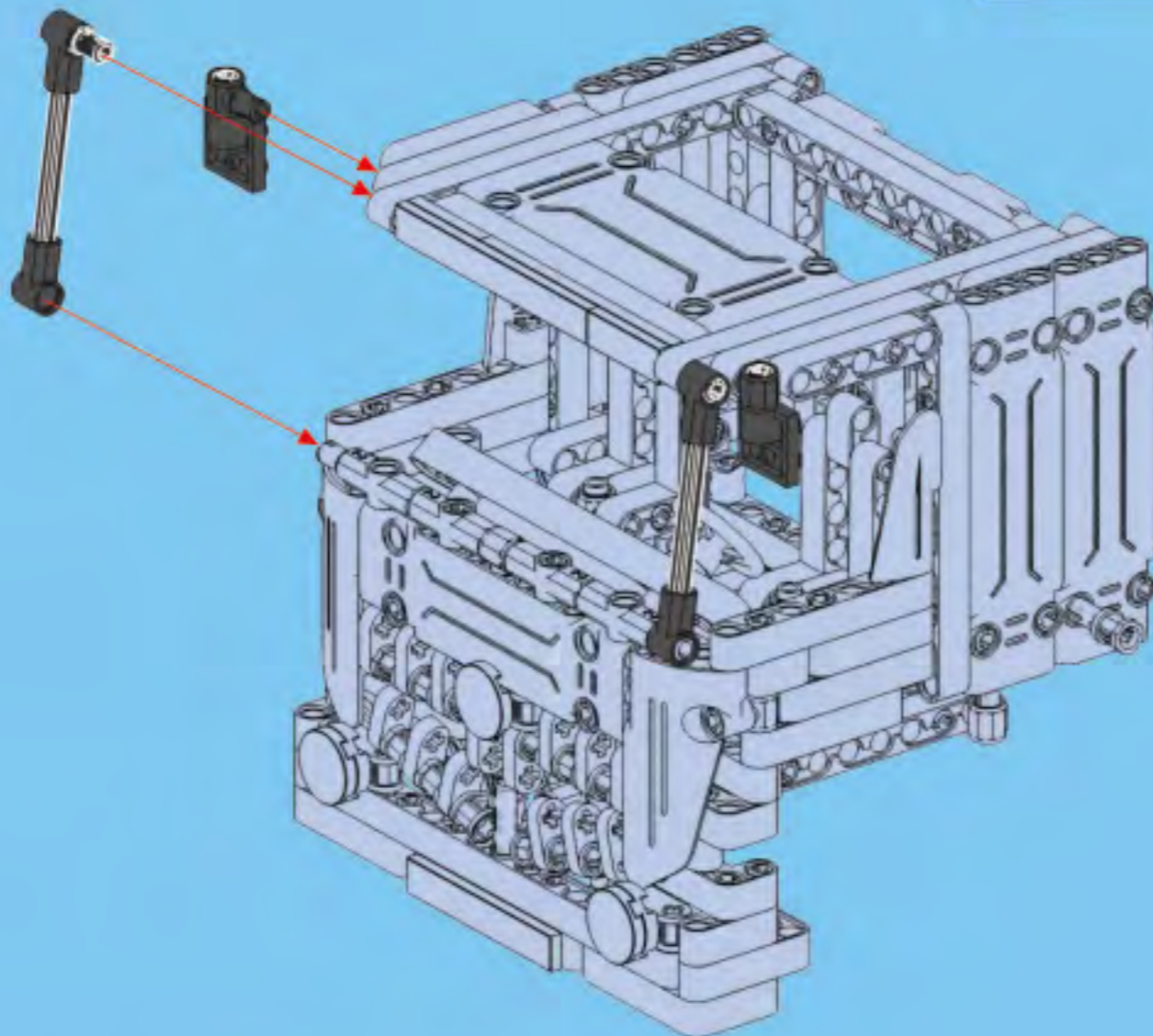
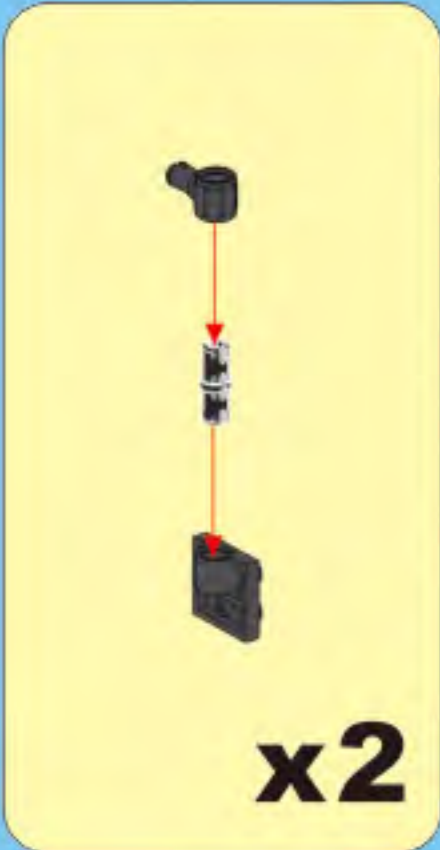
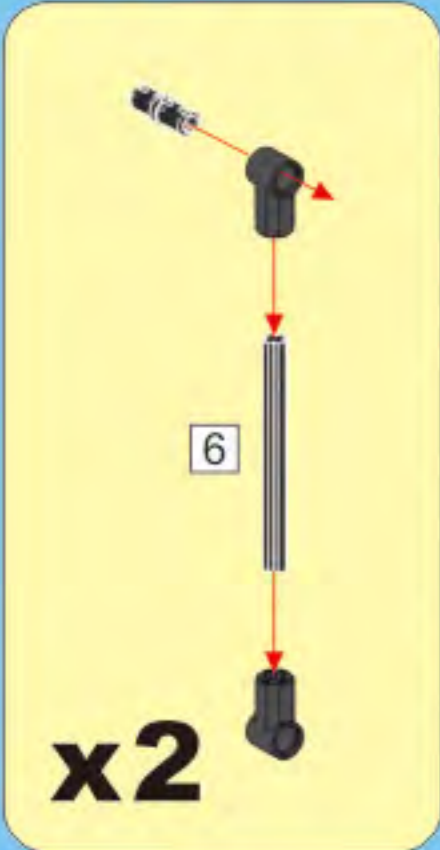
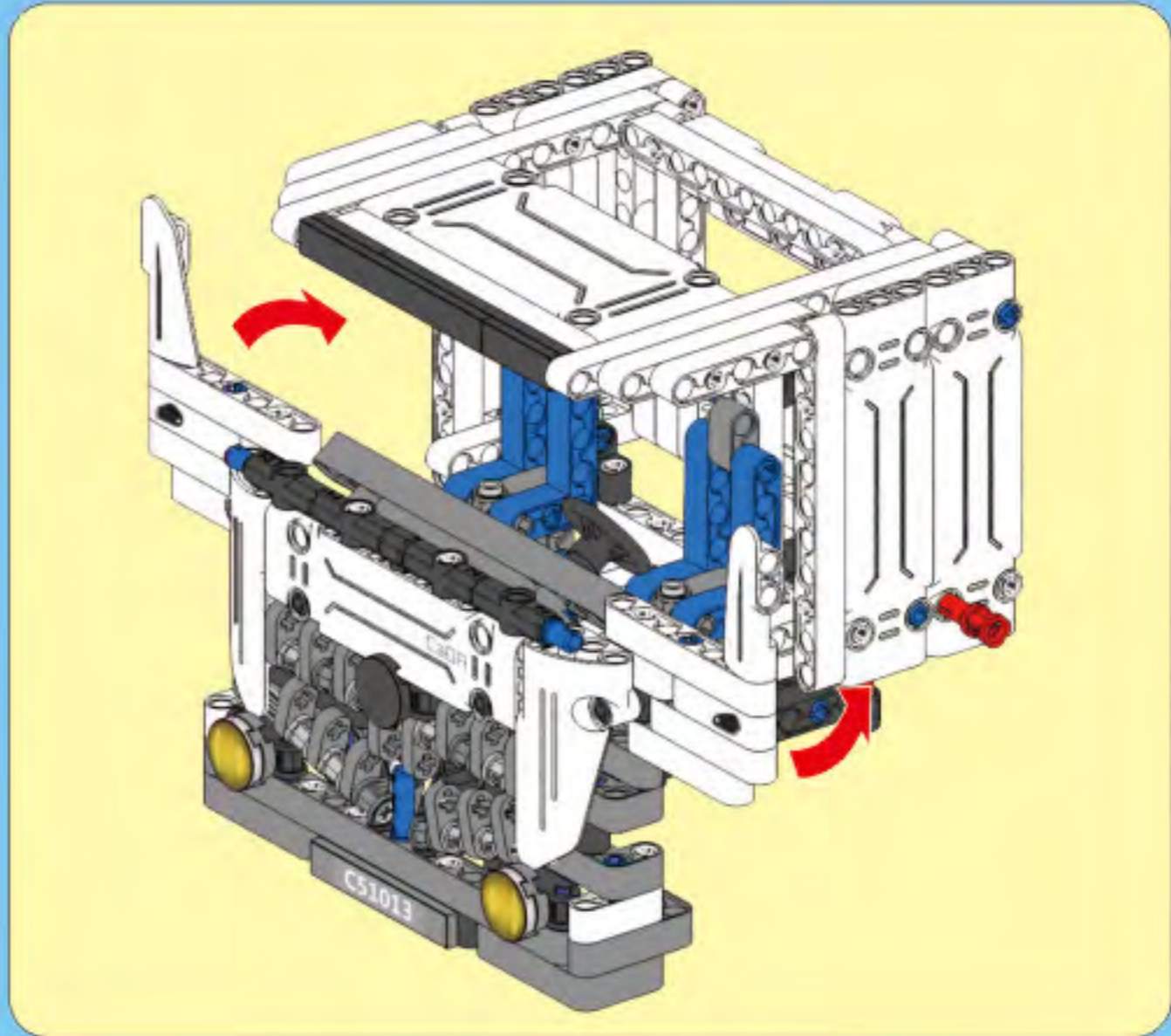


# C36

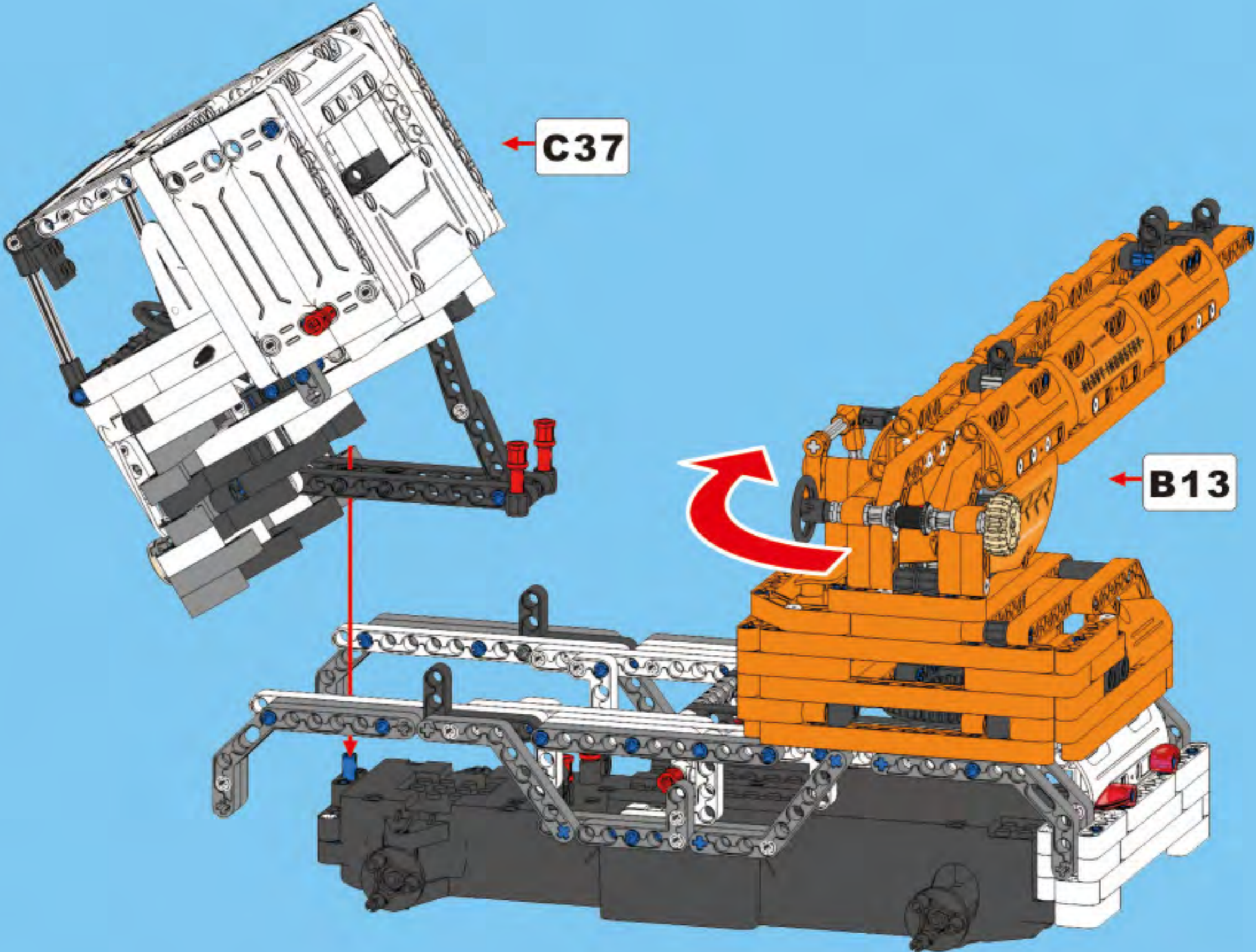




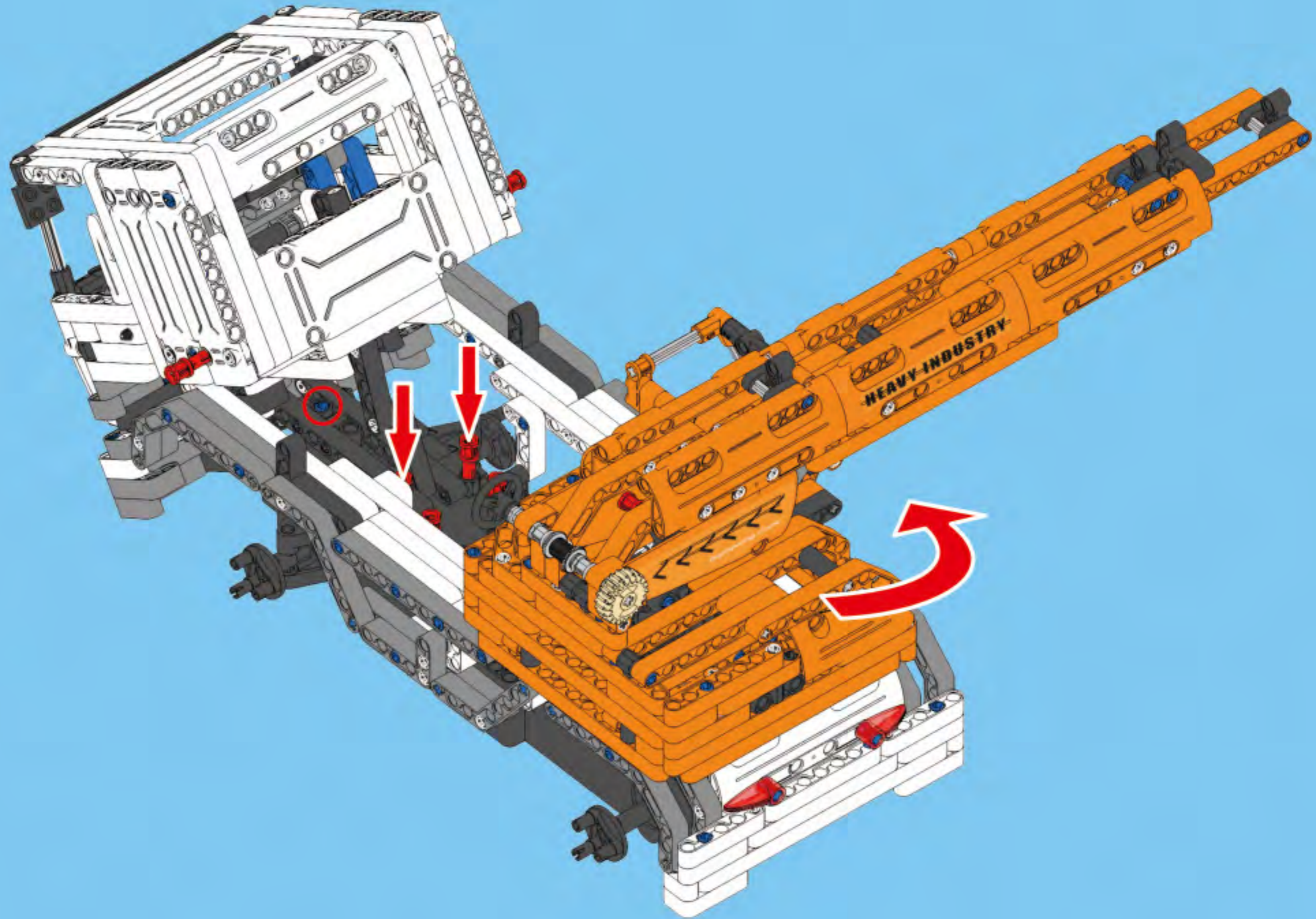
# C37

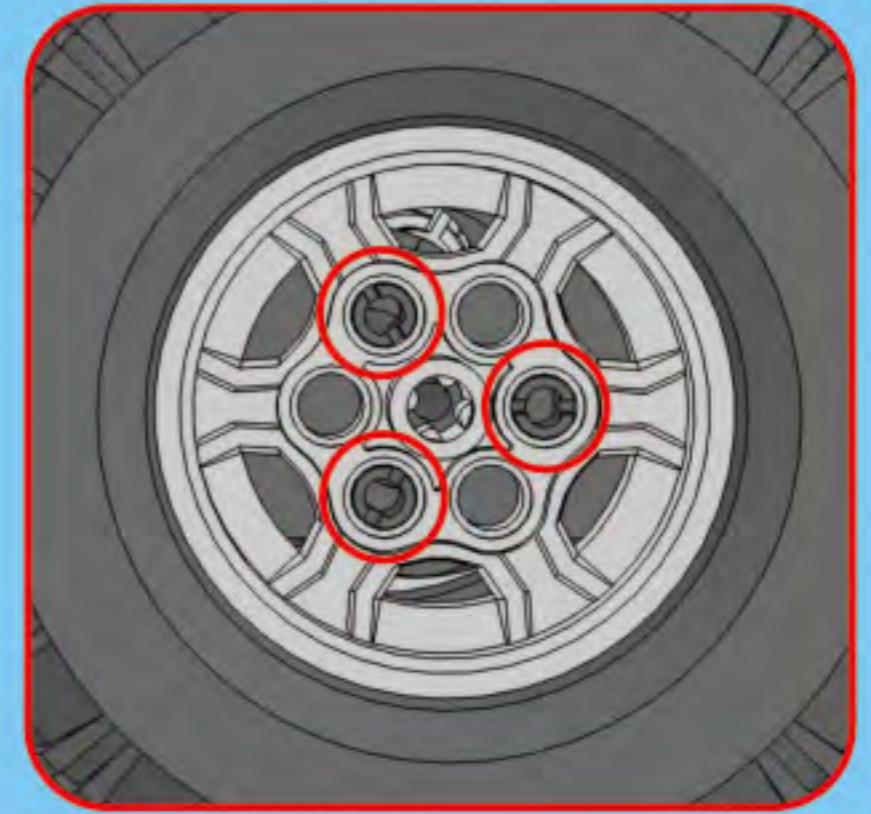
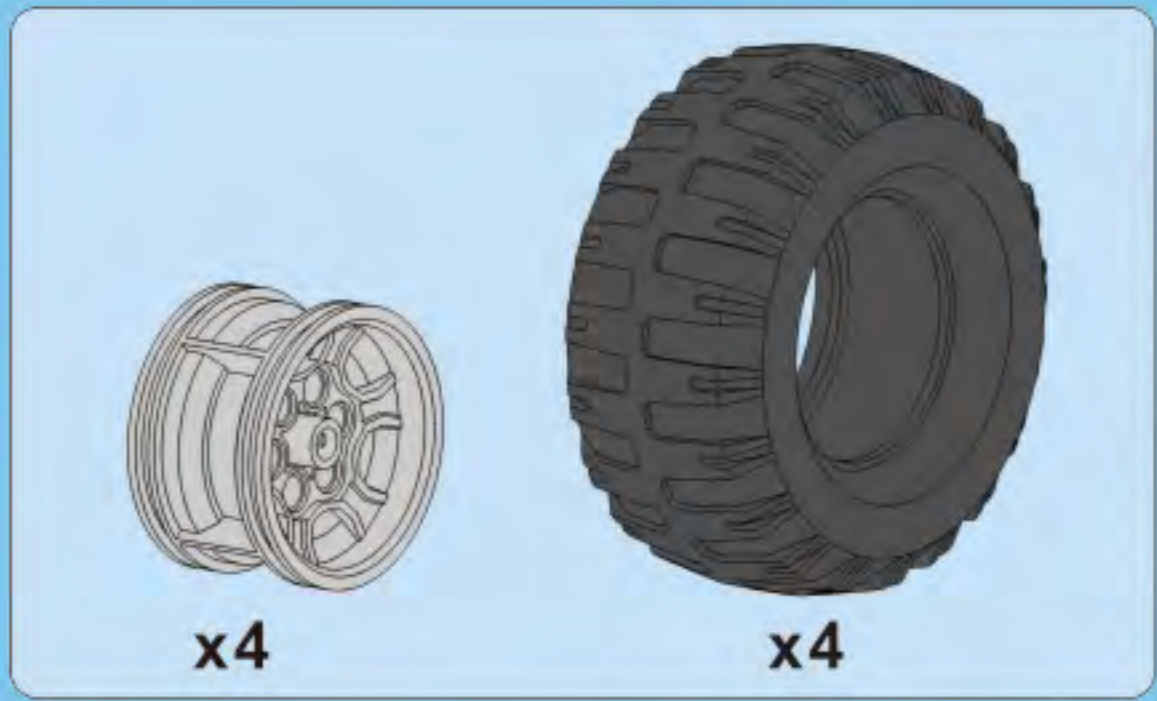


# C38

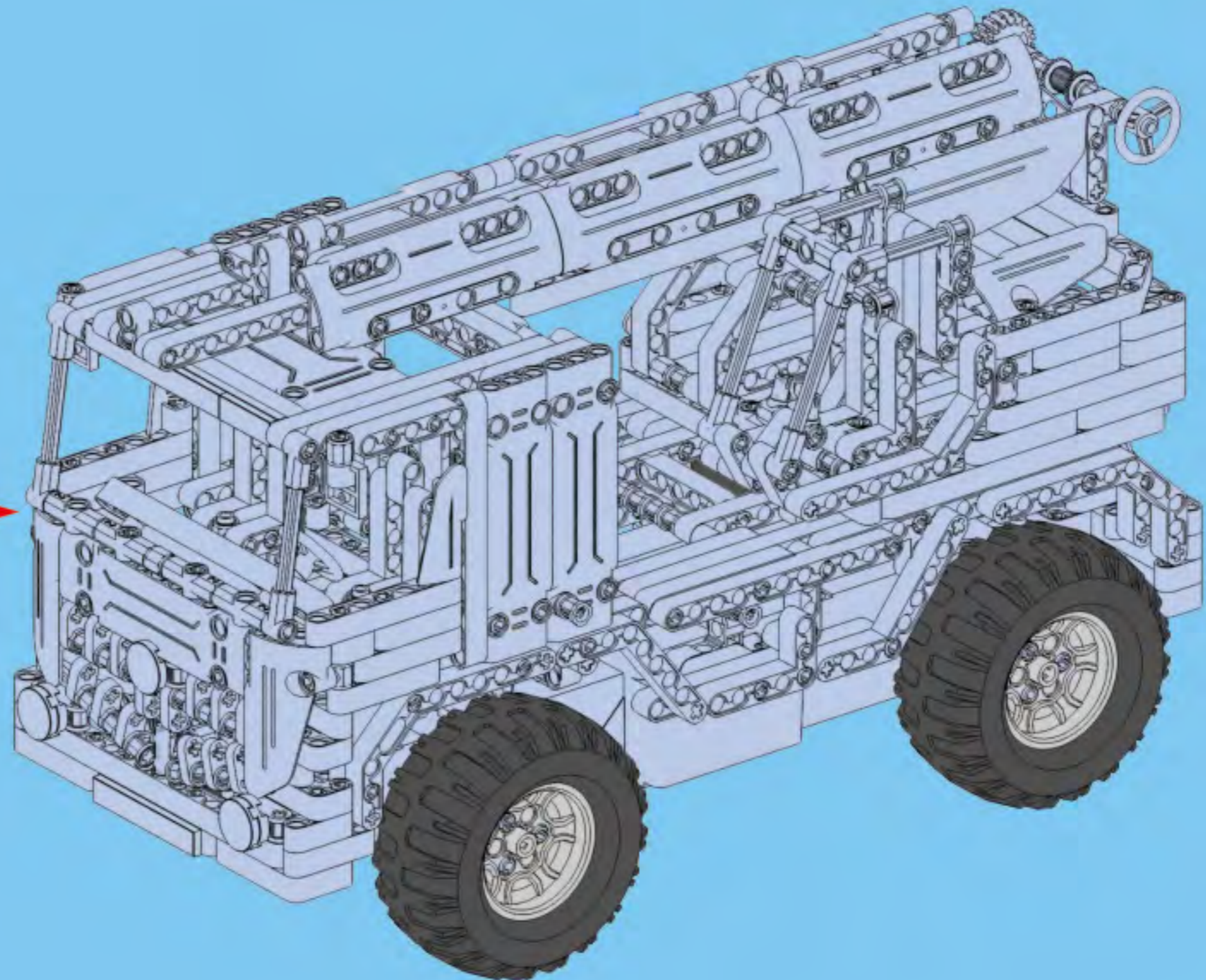


# C39

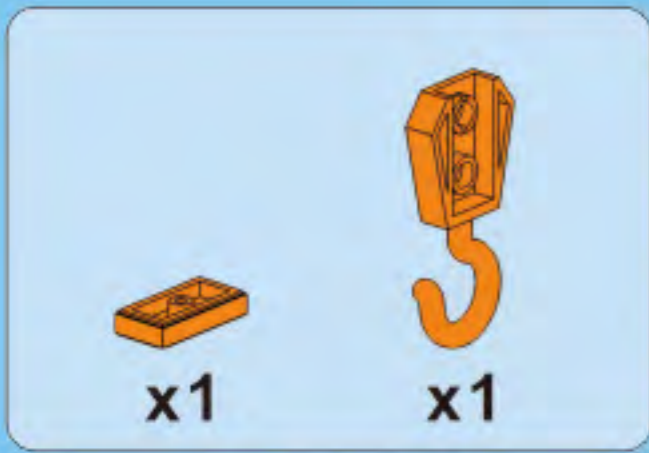




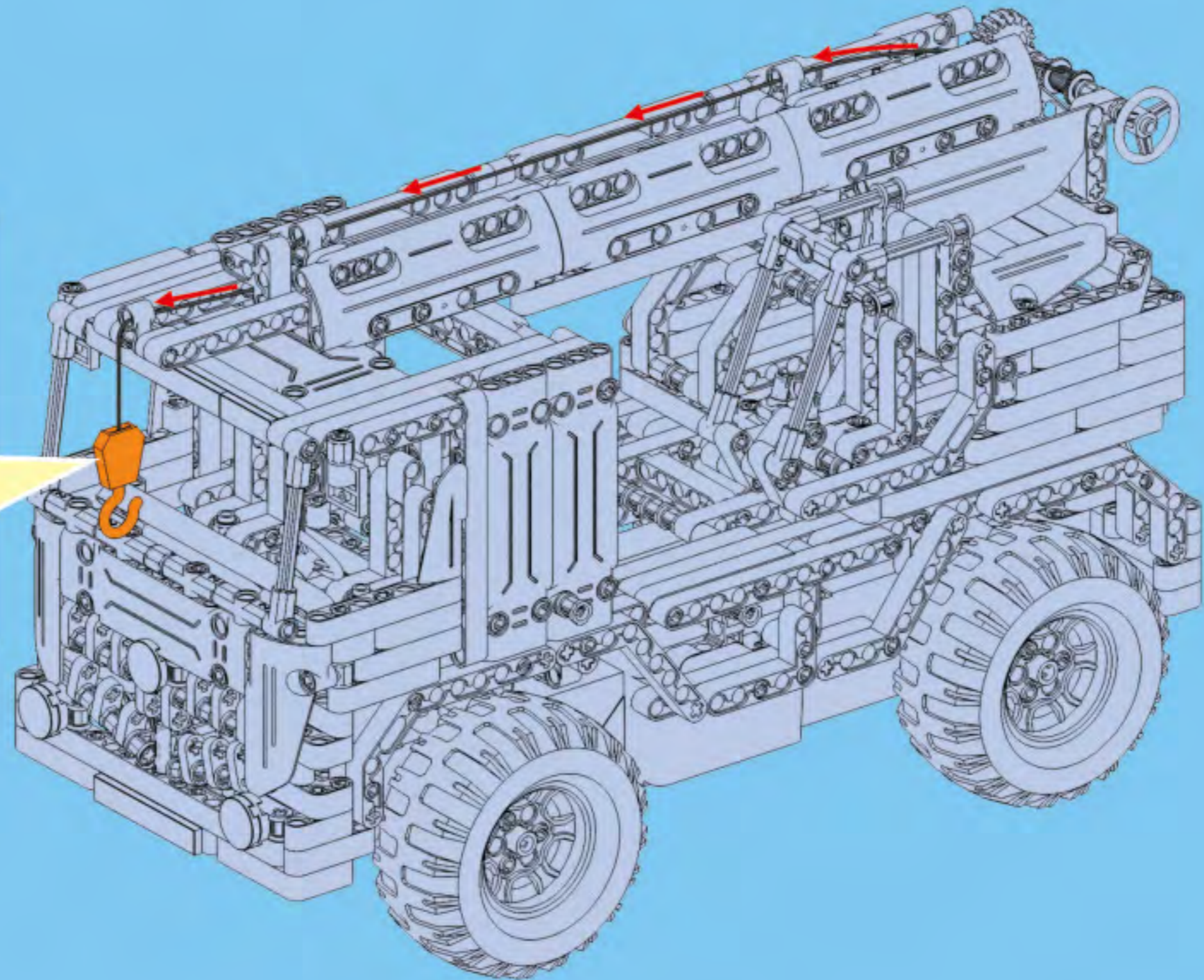
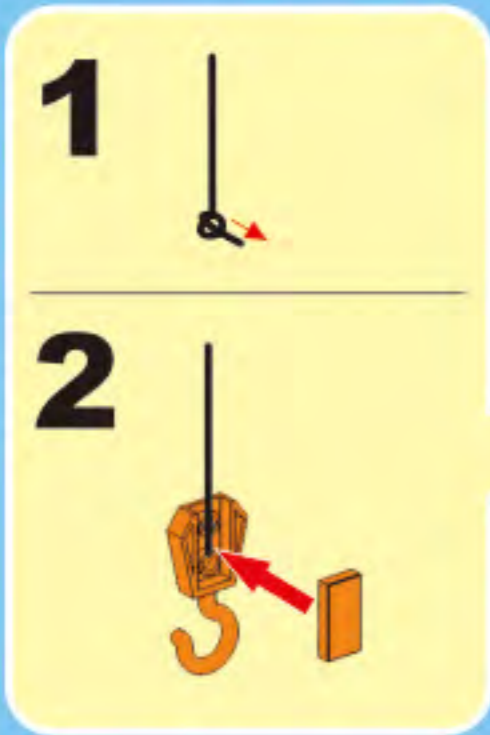
# C40

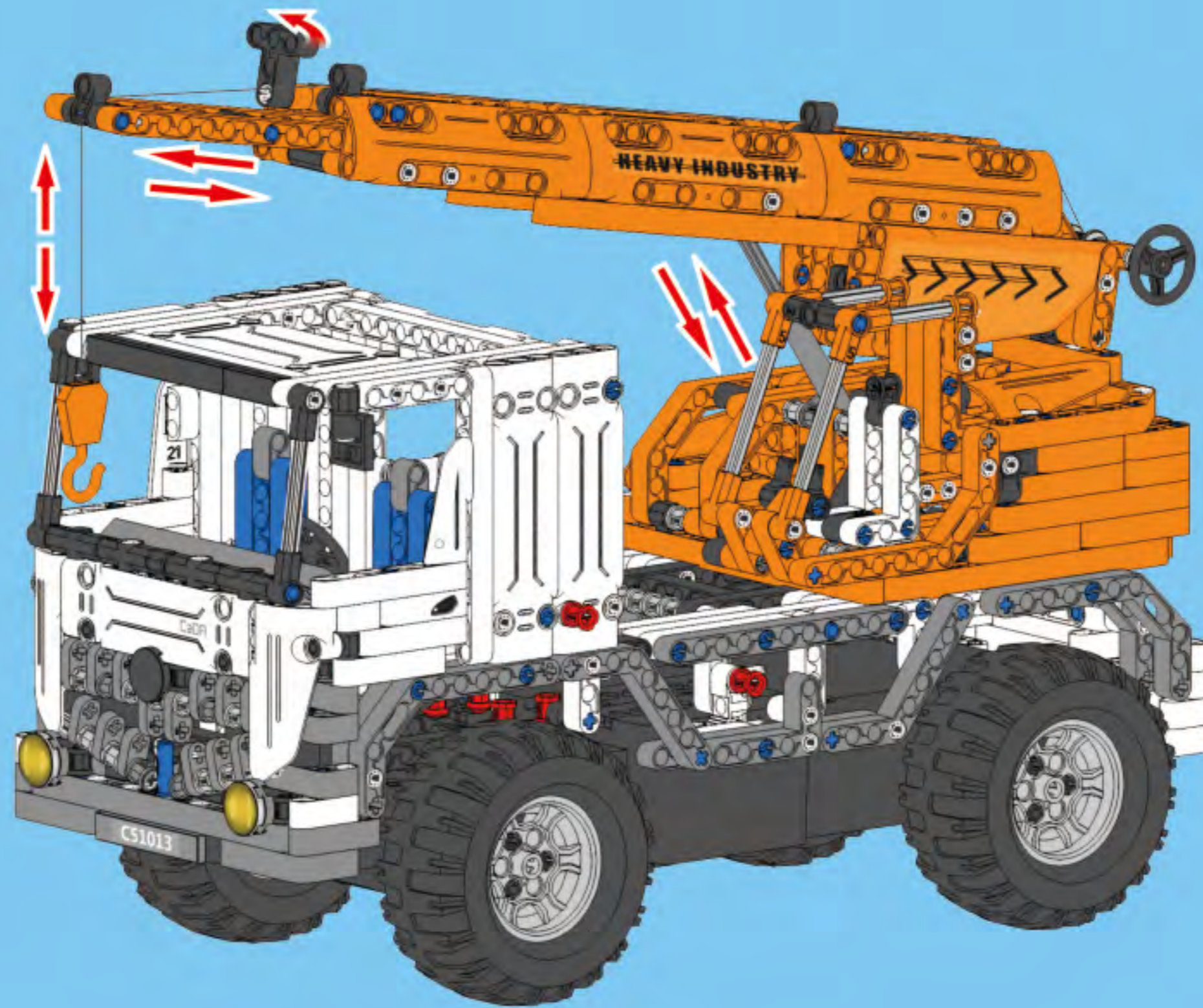


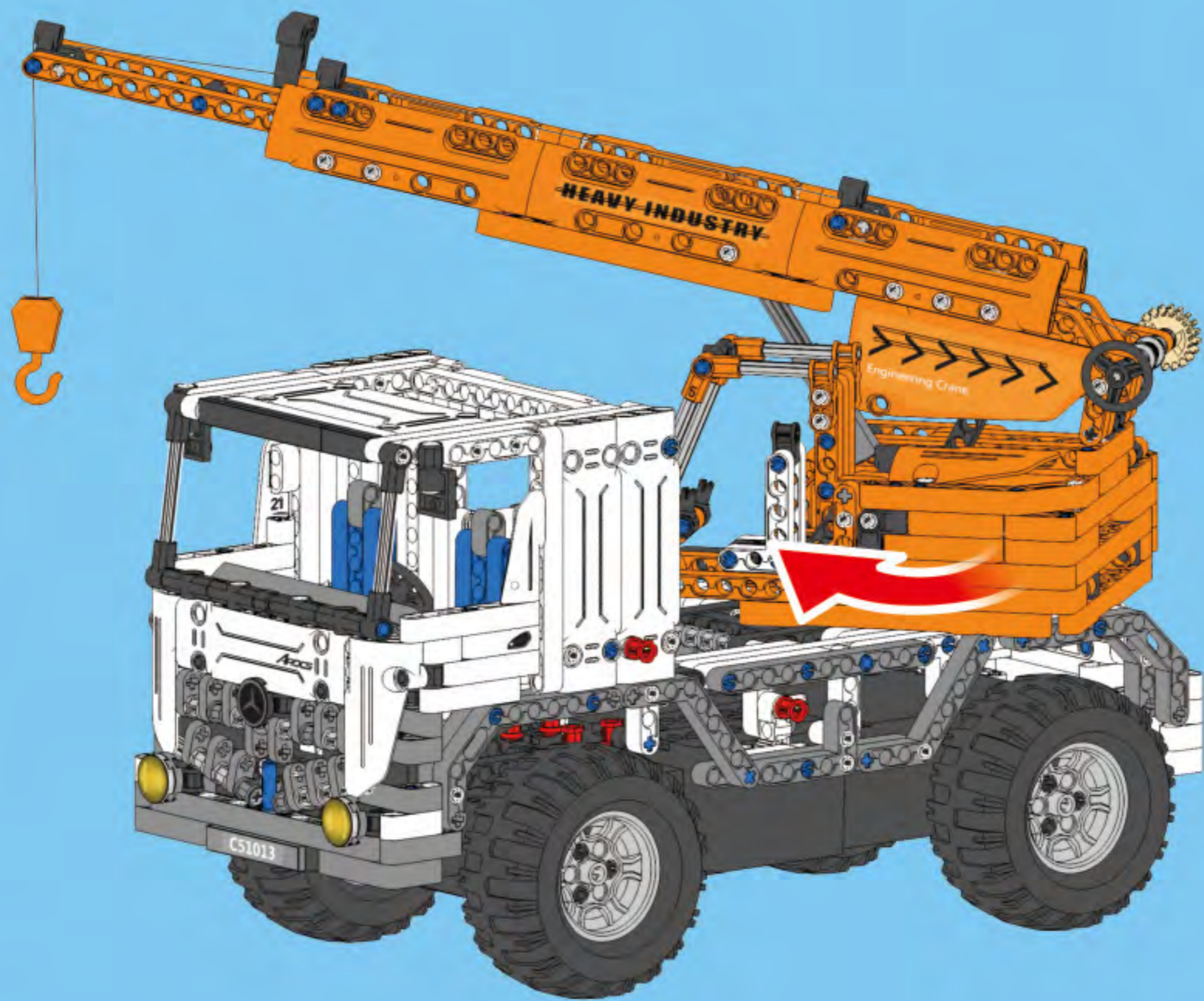


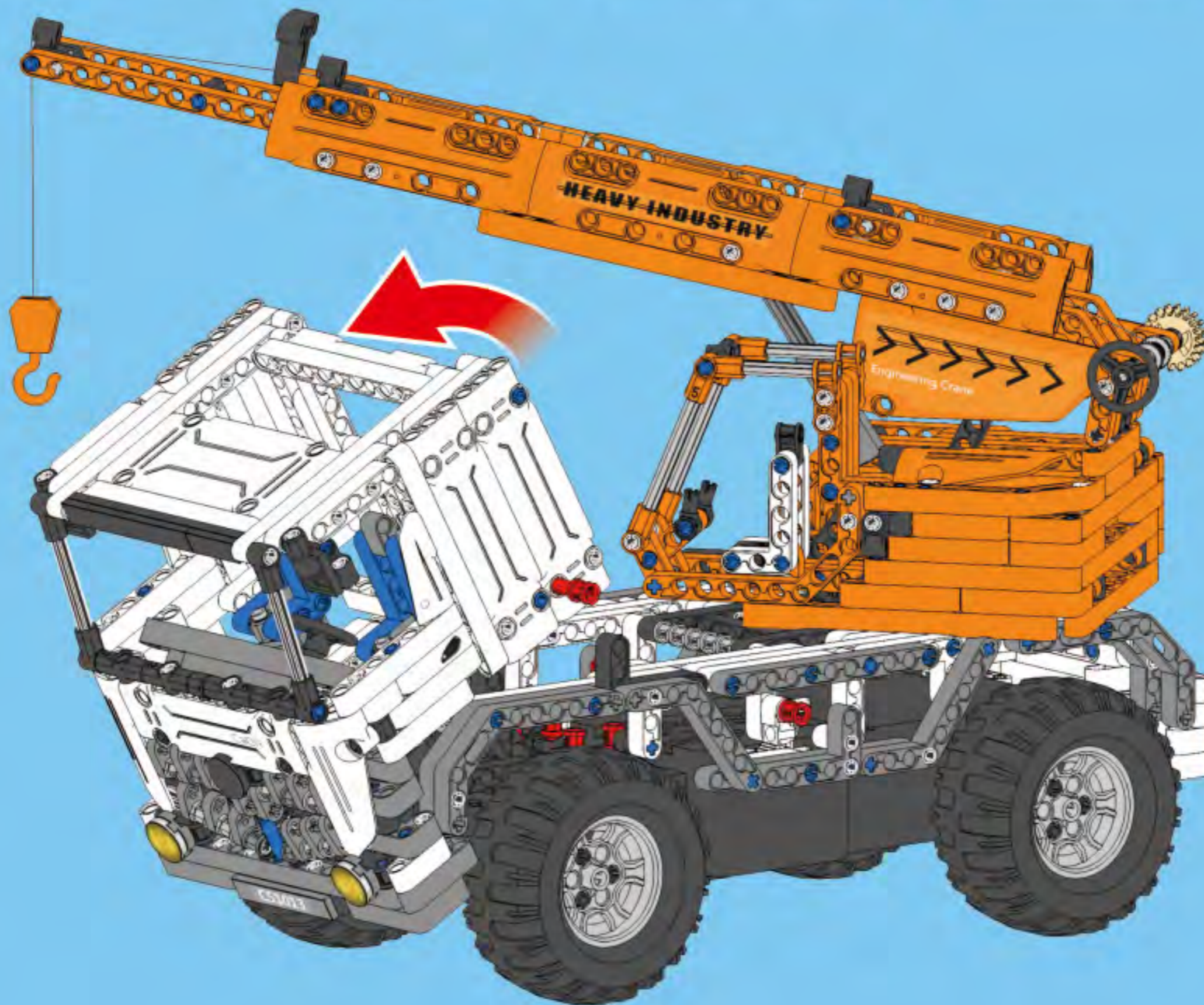
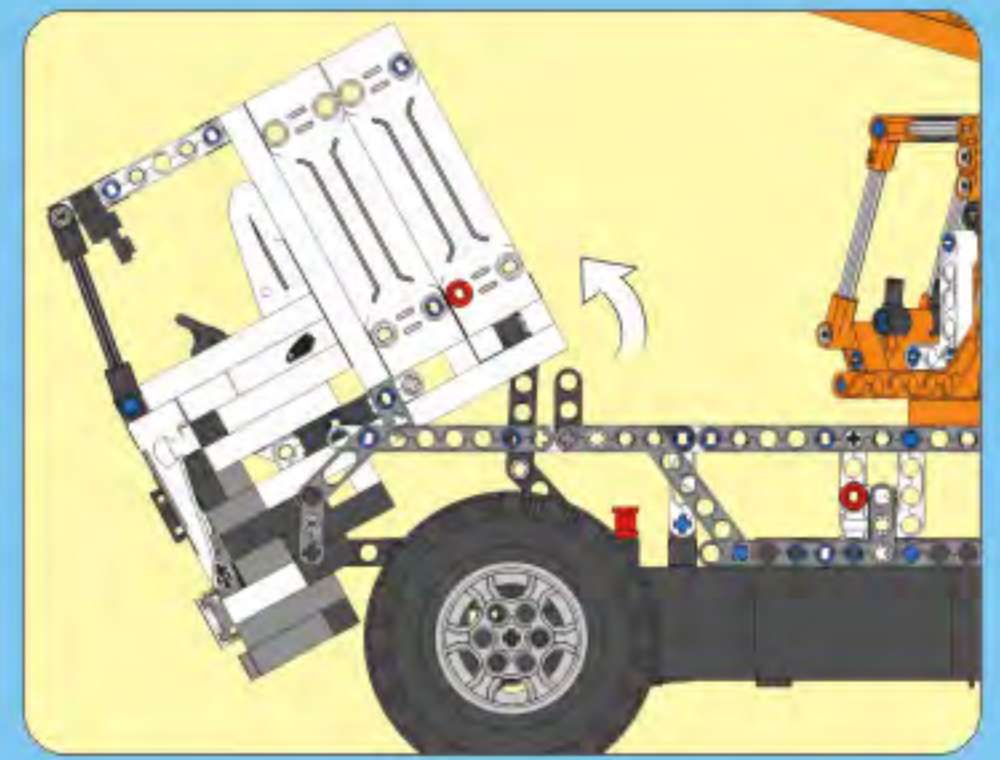
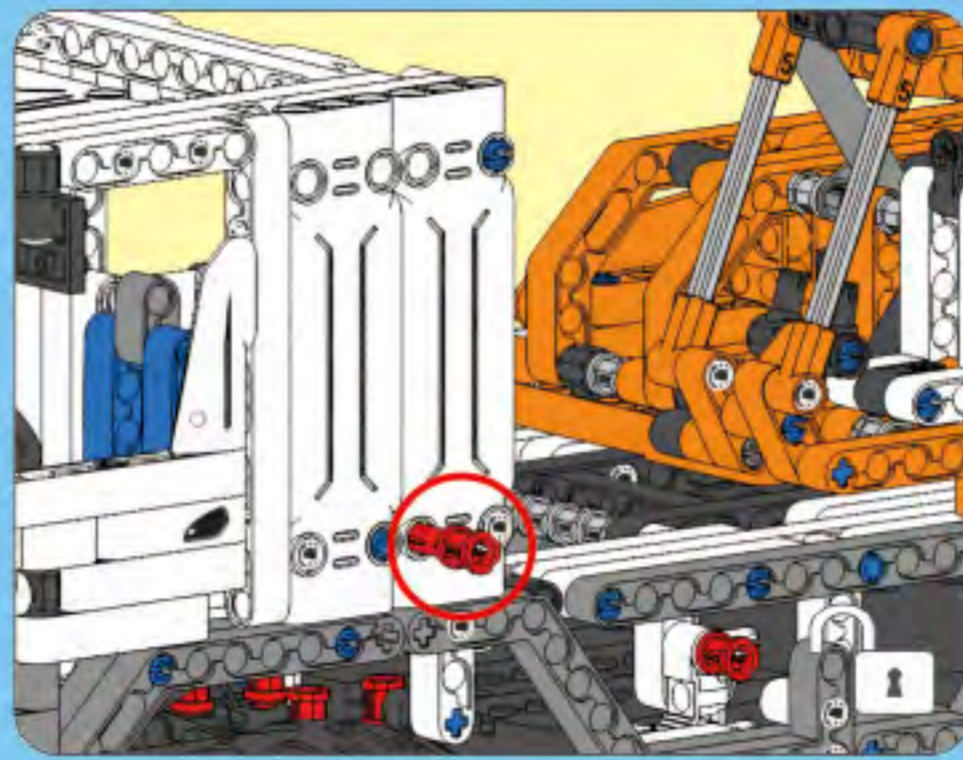
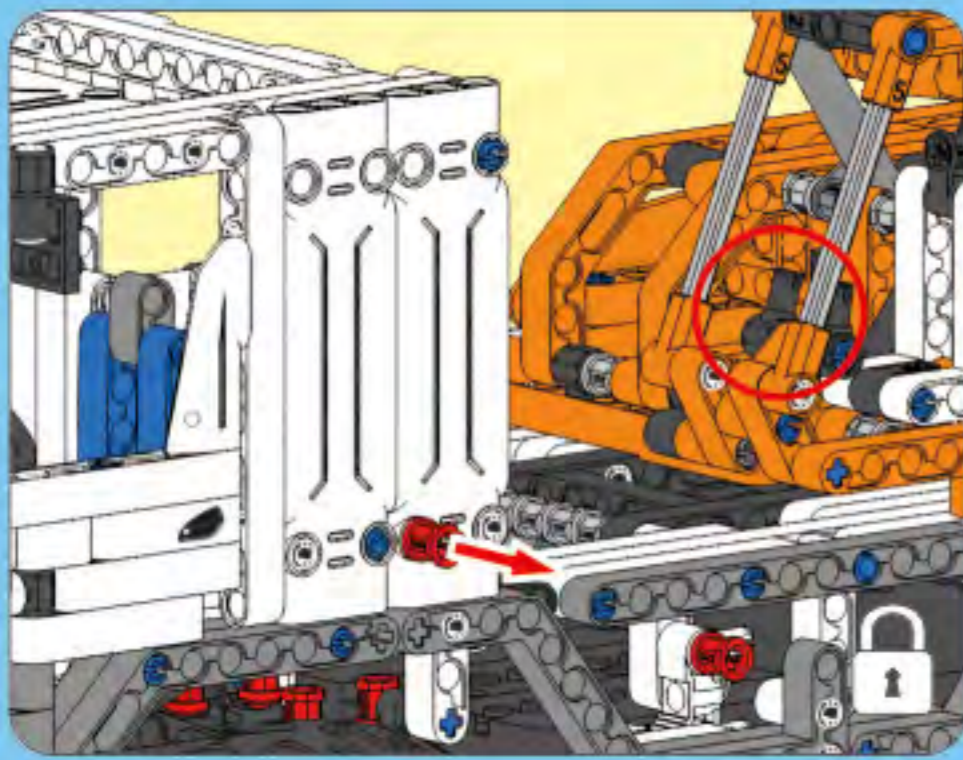


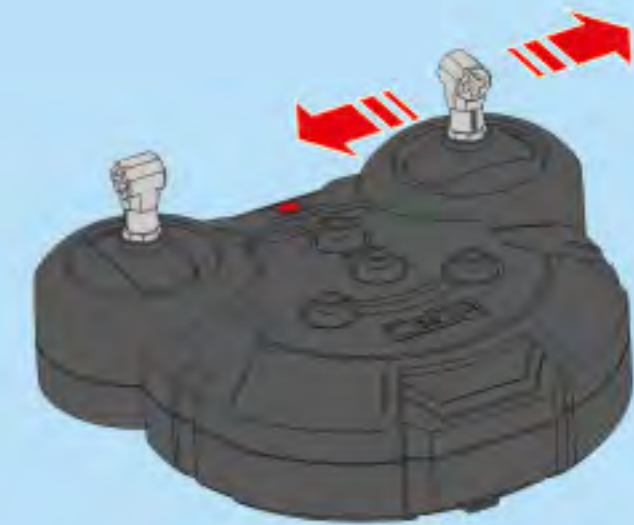
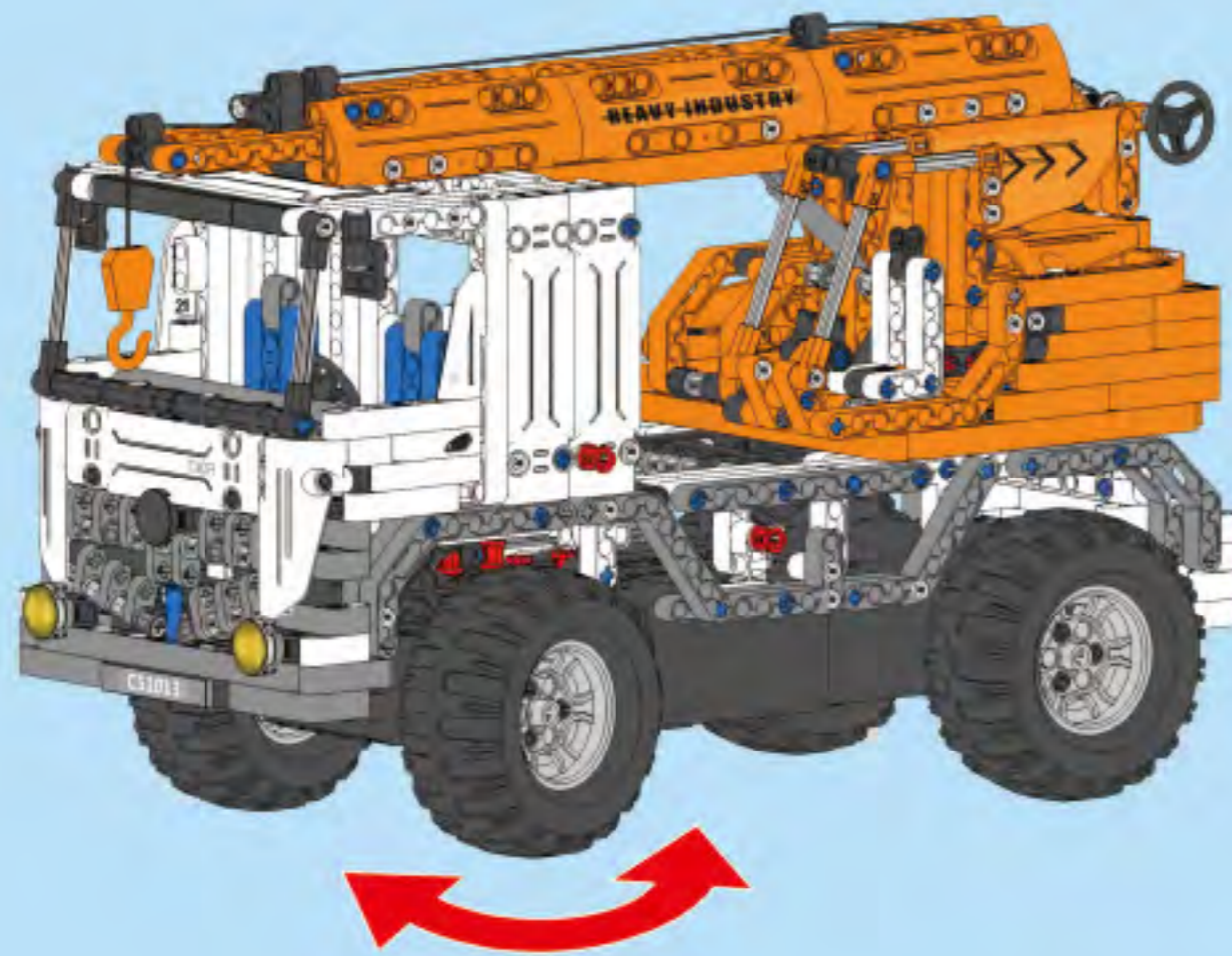
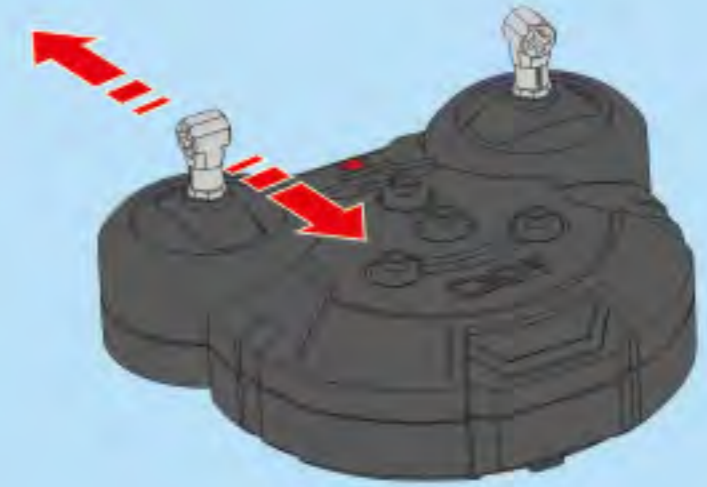
# C41











x2 JX4042.02  
 x2 JB1004.05  
 x1 JB1004.06  
 x2 JB1012.02  
 x2 JF8039.01  
 x2 JH1018.01  
 x9 JH2015.01  
 x24 JH1017.01  
 x6 JJ4022.01  
 x14 JJ4022.02  
 x2 JJ4024.01  
 x1 JM0011.01  
 x1 JA3029.01  
 x1 JX9029.01  
 x2 JX0041.01  
 x2 JH6048.01

x2 JM0016.01  
 x2 JH5042.02  
 x193 JH2025.01  
 x57 JH5001.01  
 x126 JH2016.01  
 x7 JH5044.01  
 x3 JH1019.02  
 x4 JH5026.01  
 x2 JH5026.04  
 x10 JH5041.01  
 x8 JH5041.04  
 x21 JH5032.01  
 x6 JH3021.02  
 x12 JH5020.01  
 x5 JH6038.02  
 x3 JH6039.06

x8 JH4022.01  
 x2 JH6035.01  
 x1 JH6036.01  
 x2 JH6034.05  
 x1 JA3030.02  
 x1 JA1013.02  
 x1 JA3032.04  
 x1 JA3033.04  
 x1 JA1010.03  
 x6 JH6027.01  
 x2 JH6029.03  
 x1 JM0020.01  
 x1 JM0020.02  
 x1 JJ6019.02

x1 JJ7017.01  
 x7 JH0011.01  
 x7 JH0013.01  
 x1 JH0005.01  
 x3 JH0004.01  
 x6 JH0006.01  
 x3 JH0007.01  
 x3 JH0009.01  
 x3 JH0012.01  
 x1 JH0047.01  
 x2 JH0060.01  
 x14 JJ7011.07  
 x6 JJ7011.02

x5 JJ7011.08  
 x8 JJ7011.06  
 x10 JJ7012.07  
 x4 JJ7012.03  
 x5 JJ7012.02  
 x5 JJ7012.08  
 x4 JJ7012.06  
 x1 JJ7013.02  
 x2 JJ7014.07  
 x1 JJ7014.03

x4 JJ7014.05  
 x6 JJ7016.04  
 x8 JJ7016.03  
 x6 JJ6003.05  
 x4 JJ6003.06  
 x2 JJ6003.07  
 x8 JJ6004.07  
 x1 JJ6004.01  
 x5 JJ6004.08  
 x8 JJ6005.07  
 x3 JJ6005.01  
 x9 JJ6005.08

x12 JJ6006.07 7  
 x1 JJ6006.01 7  
 x3 JJ6006.08 7  
 x3 JJ6006.06 7  
 x5 JJ6007.07 9  
 x2 JJ6007.01 9  
 x6 JJ6007.08 9  
 x9 JJ6008.07 11  
 x2 JJ6008.02 11  
 x4 JJ6008.06 11  
 x10 JJ6009.06 13  
 x2 JJ6009.02 13

x6 JJ6009.07 13  
 x1 JJ6009.05 13  
 x3 JJ6010.06 15  
 x11 JJ6010.07 15  
 x1 JJ6010.05 15  
 x3 JJ6036.03 5  
 x1 JM9005.01 5  
 x5 JX4039.05 5  
 x2 JX4038.05 5  
 x2 JX4040.04 5  
 x6 JX4040.05 5

x1 JX4035.10 21  
 x1 JX4035.09 22  
 x1 JX4033.07 3  
 x1 JX4033.09 4  
 x1 JX4033.08 3  
 x1 JX4033.10 4  
 x1 JX4032.09 17

x1 JX4032.10 18  
 x4 JM3006.02 18  
 x4 JR4004.01 18  
 x2 JH4023.02 18  
 x1 JQ0001.01 18  
 x1 JV9002.02 18  
 x1 JV8001.01 18  
 x1 JM0014.01 18  
 x1 JM0014.02 18  
 x1 06.10.01.000036 18

# STEAM support



Science • Technology • Engineering • Art • Maths

The purpose of STEAM education-Science, Technology, Engineering, Art and Mathematics- is to provide students with the necessary skills, knowledge and experience in order to cope with the technological challenges of the future. Modern pedagogical theories suggest that the study of engineering should be incorporated in all other subjects, starting from elementary level. STEAM series, offers a practical solution for facing all these educational issues, aiding the teacher to engage students in STEAM disciplines in a fun, exciting and interesting way!

# TECHNIC series

## C51013



## C51014



## C51017

